



Customized Parts Catalog for Engine Model

QSK60 CM500

CONSTRUCTION

Prepared Specifically for:

Komatsu 830E

Engine Serial Number: **33179980**



Customized Parts Catalog for Engine Model

QSK60 CM500

CONSTRUCTION

Prepared Specifically for:

Engine Serial Number: **33179980**

Cummins Inc.
Box 3005
Columbus, Indiana, U.S.A., 47202

Copyright© 2008
Cummins Inc.

Bulletin No.33179980 Printed in U.S.A.



Cummins Inc.

New Parts Warranty Heavy Duty

COVERAGE

PRODUCTS WARRANTED

These warranties apply to New Parts marketed by Cummins for its engines (except those for A, B, and C series engines). They apply anywhere in the world where service is available through a Cummins distributor or full service dealer.*

BASE WARRANTY

The Base Warranty covers any failures of parts on or after March 31, 1986, which result, under normal use and service, from defects in workmanship or material (Warrantable Failures). The coverage on cylinder kits designated by Cummins as "Premium Plus" extends two years, 200,000 miles (321,870 kilometers) or 7,200 hours of operation, whichever occurs first, from the date of first installation. The coverage on other parts extends one year, 100,000 miles (160,935 kilometers) or 3,600 hours of operation, whichever occurs first, from the date of first installation.

EXTENDED MAJOR COMPONENTS WARRANTY

The Extended Major Components Warranty covers Warrantable Failures on or after March 31, 1986, of engine cylinder blocks, crankshafts, flangeless NT camshafts* and connecting rods (Covered Parts). Bushing and bearing failures are not included. This coverage begins with the expiration of the Base Warranty and ends three years, 300,000 miles (482,805 kilometers) or 10,800 hours of operation, whichever occurs first, from the date of first installation.

Both the Base Warranty and Extended Major Components Warranty apply to all Owners in the chain of distribution, and coverage continues to all subsequent Owners until the end of the respective periods of coverage.

CUMMINS RESPONSIBILITIES

DURING THE BASE WARRANTY

Cummins will pay for all parts and labor needed to repair the damage to the engine resulting from the Warrantable Failure. All labor costs will be paid in accordance with Cummins published Standard Repair Operation guidelines.

Cummins will pay for the lubricating oil, antifreeze, filter elements, and other maintenance items that are not reusable due to the Warrantable Failure.

Cummins will pay reasonable labor costs for engine removal and reinstallation when necessary to make the warranty repair.

When the parts are installed in a non-automotive engine, Cummins will pay reasonable travel expenses for mechanics to and from the engine site, or the repair dock in the case of a marine engine, including meals, mileage and lodging when it is necessary for mechanics to make on-site warranty repairs.

DURING THE EXTENDED MAJOR COMPONENTS WARRANTY

Cummins will pay for the Covered Part and for any Covered Part damaged by a Warrantable Failure of another Covered Part.

OWNER RESPONSIBILITIES

DURING THE BASE WARRANTY

Before expiration of the warranty, Owner must give notice to Cummins distributor or full service dealer* of a failure considered to be warrantable and have the repair performed by such facility.

If the part was installed in an automotive engine, the Owner must deliver the engine to the repair location. If installed in a marine engine, Owner is responsible for the cost of towing the boat to a repair dock and for any associated docking and harbor charges.

Owner is responsible for the cost of lubricating oil, antifreeze, filter elements and other maintenance items replaced during warranty repairs except where such items are not reusable due to a Warrantable Failure.

DURING THE EXTENDED MAJOR COMPONENTS WARRANTY

Before expiration of the warranty, Owner must give notice to a Cummins distributor or full service dealer* of a failure considered to be warrantable and deliver the defective and damaged Covered Parts to such facility.

Owner is responsible for the cost of all parts needed for the repair except for the defective Covered Part and for any Covered Part damaged by a Warrantable Failure of another Covered Part.

Owner is responsible for the cost of all labor needed to repair the engine, including the labor to remove and reinstall the engine. When Cummins elects to repair a part instead of replacing it, Owner is not responsible for the labor needed to repair the part.

Owner is responsible for the cost of lubricating oil, antifreeze, filter elements and other maintenance items replaced during the repair.

DURING BOTH WARRANTIES

At the time when the parts are installed, Owner is responsible for the preparation of a written record containing the following: (1) the date of installation of the parts; (2) the engine serial number; (3) the engine miles, hours or kilometers of operation; (4) the parts installed, and (5) the location of the parts in the engine. The purpose of this record is to protect Owner's interests and support any claim for a Warrantable Failure.

Owner is responsible for the operation and maintenance of the engine as specified in Cummins Operation and Maintenance Manuals.

Owner is responsible for communication expenses, meals, lodging and similar costs incurred by Owner as a result of a Warrantable Failure. Owner is responsible for non-engine repairs and for "down time" expenses, cargo damage and all business costs and losses resulting from a Warrantable Failure. CUMMINS IS NOT RESPONSIBLE FOR INCIDENTAL OR CONSEQUENTIAL DAMAGES.

LIMITATIONS

Cummins is not responsible for failures resulting from Owner or Operator abuse or neglect, such as: operation without adequate coolant, fuel or lubricants; overfueling; overspeeding; lack of maintenance of lubricating, cooling or air intake systems; improper storage, starting, warm-up, run-in or shutdown practices. Cummins is also not responsible for failures caused by incorrect fuel, or by water, dirt or other contaminants in the fuel.

Cummins does not warrant parts supplied by Cummins which bear the name of another company. These parts are warranted by their manufacturers and not by Cummins. This category of parts includes, but is not limited to: hydraulic pumps, alternators, starters, fans, air conditioning compressors, clutches, steering pumps, transmissions, torque converters, marine gears, air cleaners, filters and non-Cummins air compressors, power steering pumps, and engine compression brakes.

Parts provided may be new Cummins, Cummins approved rebuilt parts, or repaired parts. Cummins is not responsible for failures resulting from the use of parts not approved by Cummins.

Before a claim for excessive oil consumption will be considered, Owner must submit adequate documentation to show that consumption exceeds Cummins published standards.

This warranty does not apply to parts furnished by Cummins at no charge to the Owner.

INVEST IN THE BEST

Customer Service Information

This Customized Parts Catalog contains parts information for the following Cummins Engine:

Engine Data

Model Number	QSK60 CM500
Serial Number	33179980
Shop Order Number	SO79724
Build Plant	DAVENTRY ENGINE PLANT
Build Date	04JAN10
Fuel Pump Part Number	4903532
Fuel Pump Calibration	BS79
Engine Configuration Number	D593001CX03
CPL Number	CPL2848

Certain basic engine components have been matched to give optimum performance to your engine. The part numbers listed in this catalog for these components are for a standard engine configuration. When ordering any of the Control Parts List (CPL) components listed below, please order by part description and engine serial number. Reference to the CPL number stamped on the engine data (name) plate will also help identify the proper service parts for your engine.

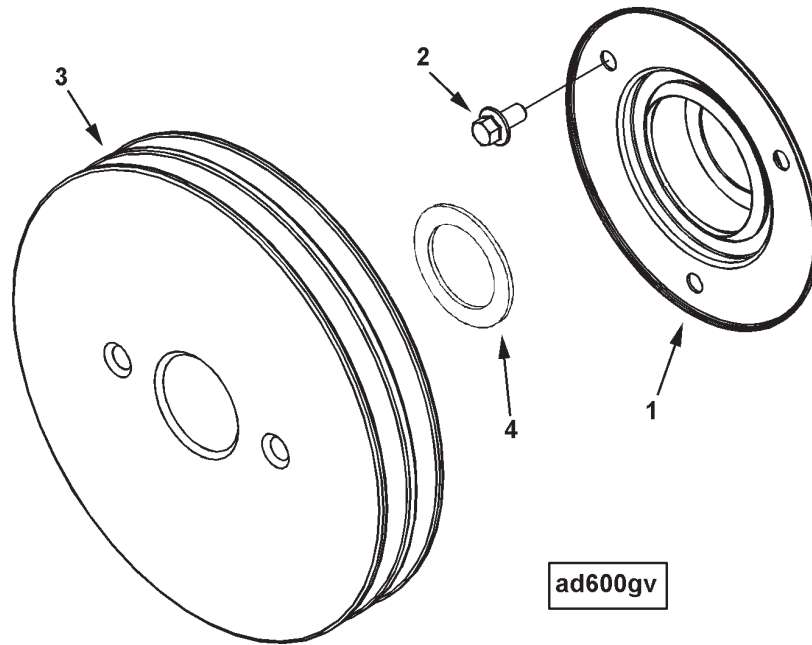
This catalog was compiled using the most current information as of 19-AUG-10.

USER INFORMATION

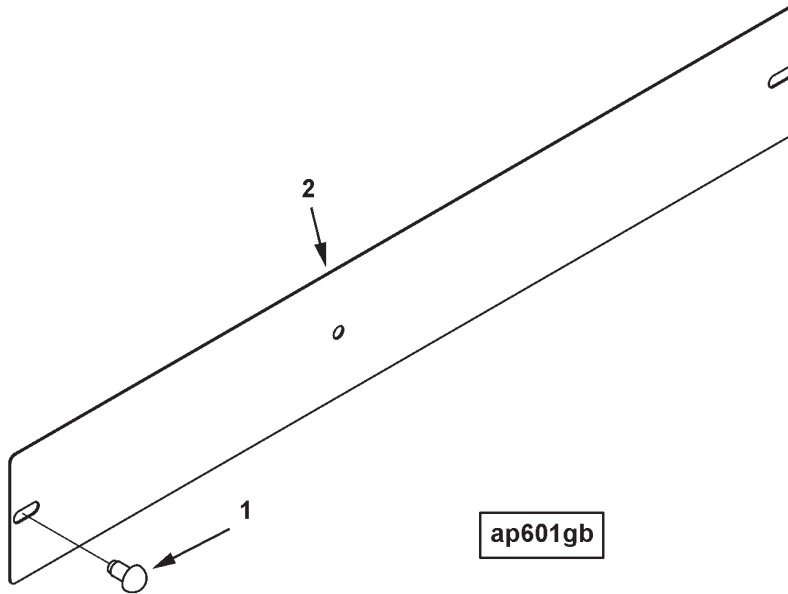
- . Parts numbers appearing in () are for identification purposes only and should not be used when ordering service replacement parts.
- . The reference numbers appearing on the art pages is for publication use only.
- . Assembly content is shown by part number indentation.
- . Options are engineered production part groupings, specifically used for compiling engine orders.
- . Option numbers are for reference only and are not sold for service.
- . Use assembly and not option content to determine service parts replacement.
- . Always specify engine model and serial number when ordering parts from this catalog.
- . Continual product improvement causes the constant obsolescence and replacement of part numbers. Service Parts you receive may not be the part number as those listed in this parts catalog.

Table of Contents

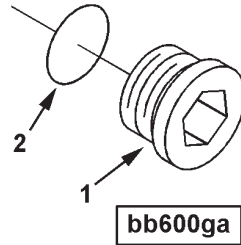
	Page No.		Page No.
Accessories,Electrical	35	Manifold,Water	151
Accessory Drive Pulley	3, 110	Module,Engine Control	93
Aftercooler	133	Monitor,Electronic Engine	43
Air Compressor	25	Motor,Starting	124
Alternator	37	Mounting,Fan Drive	50
Alternator Drive Pulley	40	Mounting,Gear Cover	74
Alternator Mounting	39	Mounting,Ref Compressor	21
APPROVAL,AGENCY	4	Oil Rep System Plumbing	24
Bracket, Shipping	120	Pan,Oil	89
Bracket,Lifting	77	Plumbing,Aft Water	143
Breather,Crankcase	17	Plumbing,Fuel	69
CALIBRATION,FUEL PUMP	51	Plumbing,Injector	109
Cam Follower Cover	23	Plumbing,Oil Cooler Water	147
Cam Follower Lever	15	Plumbing,Tur Coolant	139
Camshaft	100	Plumbing,Turbocharger Oil	137
Compressor Coolant Plumbin	19	Primer,Engine Lubricating	97
Connecting Rod And Piston	99	Pump,Fuel	61
Connection,Water Inlet	149	Radiator Plumbing	114
Coolant Level Sensor	116	RATING,FUEL	66
Cover,Front Gear	73	Resistor,Corrosion	145
COVER,HAND HOLE	87	SOFTWARE,CALIBRATION	115
Crankshaft Assembly	9	SOFTWARE,CUS INTERFACE	31
Cylinder Block	7	Starting Motor Mounting	123
Cylinder Block Plumbing	5	System,Auxiliary Cooling	131
Cylinder Head	103	Turbocharger	107
Dataplate,Customer	36	Turbocharger Arrangement	127
Drive,Fan	47	Valve Cover	141
Engine Barring Drive	18	Vibration Damper	27
Engine Control Module Plum	90	Water Pump	153
Engine Oil Cooler	78	Option Number Index	A-1
Exhaust Manifold	129	Part Number Index	B-1
Flexplate	71		
Flywheel Housing	57		
Flywheel Housing Plumbing	58		
Front Engine Support	45		
Front Gear Train Accessory	29, 30		
Fuel Filter	53		
Fuel Filter Plumbing	54		
Fuel Pump Coupling	65		
Fuel Pump Drive	33		
Full Flow Oil Filter	81		
Gear Housing	13		
Guard,Alternator	119		
Harness,Etr Cnt Mdl Wrg	155		
Housing,Thermostat	135		
Idler Gear	11		
Injector	104		
Lever,Rocker	113		
Location,Oil Level Gauge	83		
Lube Oil Pump	85		



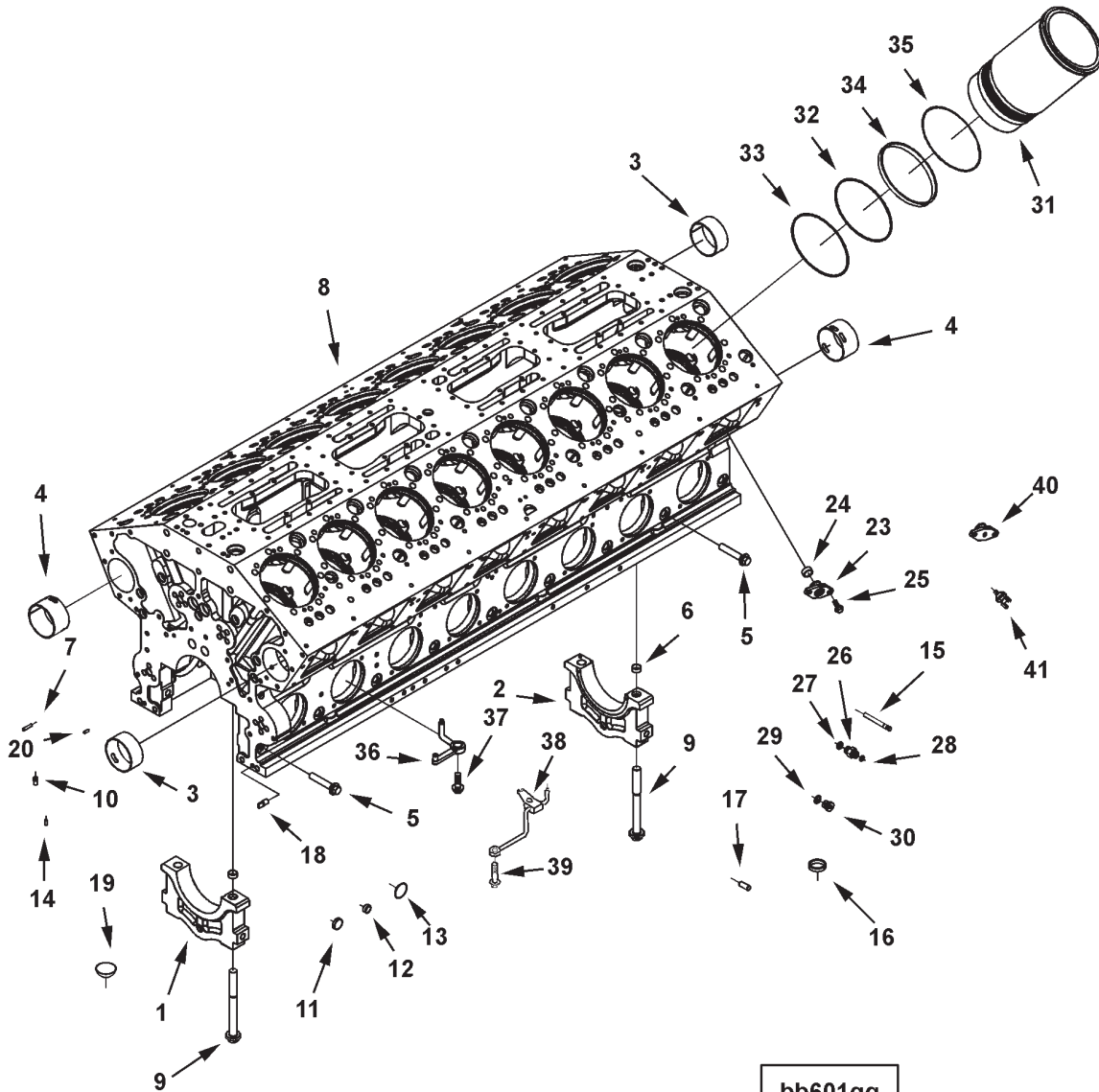
Ref No.	Part Number	Part Name	Req	Remarks
		ACCESSORY DRIVE PULLEY OPTION AD6020		Accessory drive pulley pulley diameter: 171.5 Number Of Grooves: 2 Groove description: .38 inch vee. Belt pulley description: Mounted through the front gear cover-left bank. Direction of rotation: Same as crank Drive Ratio To Engine Speed: 1.21:1
1	4080404	Seal, Oil	1	
2	3900626	Screw, Hex Flange Head Cap	3	M6 X 1.00 X 12.
3	4080400	Pulley, Accessory Drive	1	
4	4080395	Spacer, Mounting	1	



Ref No.	Part Number	Part Name	Req	Remarks
		APPROVAL,AGENCY OPTION AP6081		Agency approval Certified By: EPA ,CARB Application: Nonroad cert level: Tier 2,tier 2 special allowance: N/A cert agent: EPA ,CARB comment: Non sentinel Fuel Type: Diesel manufacturer of record: Komatsu.
1	3056508	Screw, Drive	3	
2	4970364	Dataplate	1	

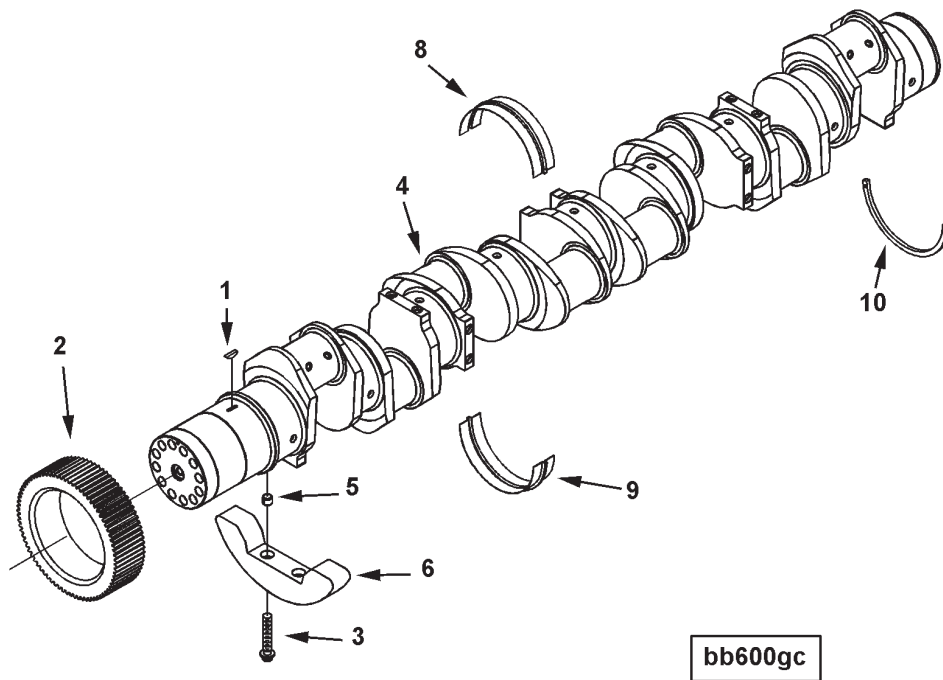


Ref No.	Part Number	Part Name	Req	Remarks
CYLINDER BLOCK PLUMBING				
OPTION BB6708				
1	3678873	Plug, Threaded	1	Cylinder block plumbing
2	(3678791)	Plug, Threaded	1	M18x1.5
	3678786	Seal, O Ring	1	

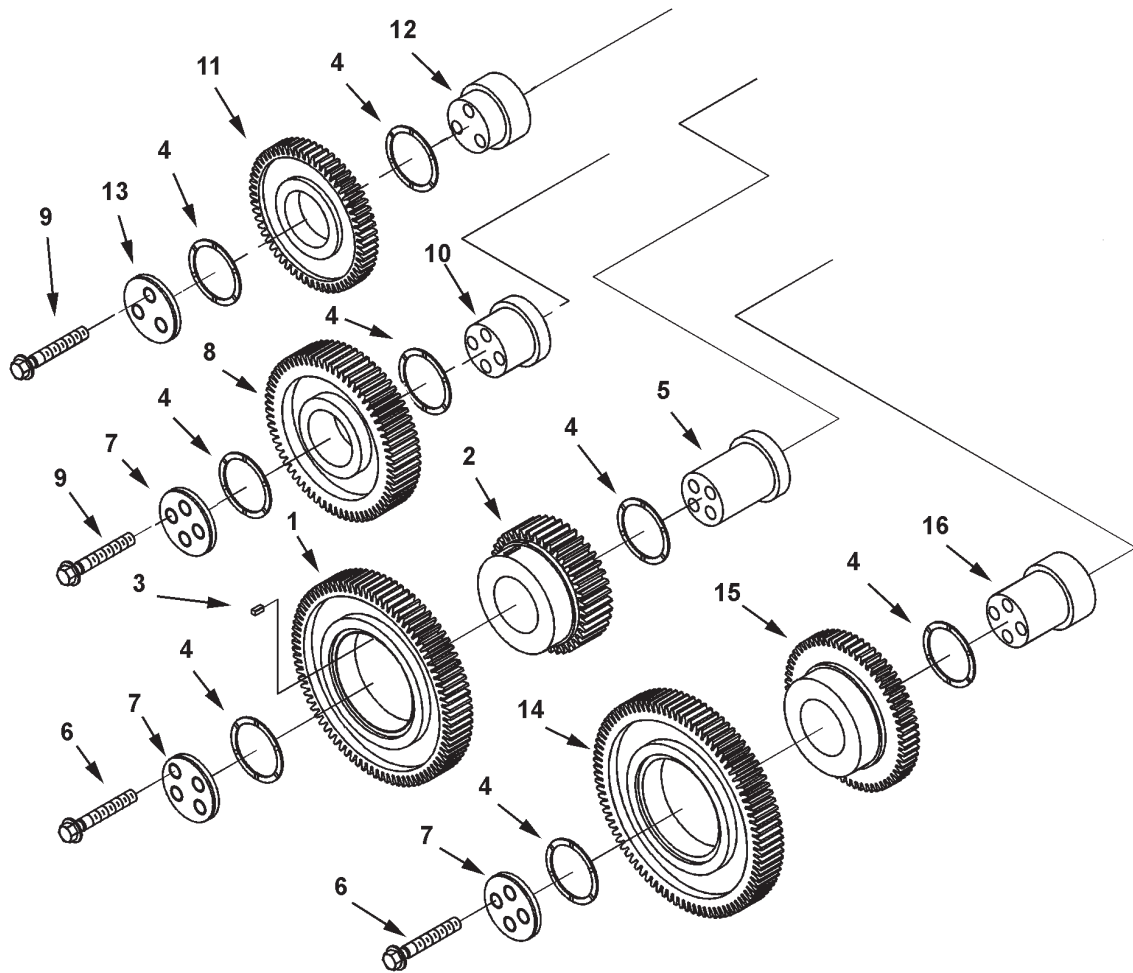


bb601gq

Ref No.	Part Number	Part Name	Req	Remarks
		CYLINDER BLOCK OPTION BB6714		Block, cylinder
	3640782	Block, Cylinder	1	
	(3640735)	Block, Cylinder	1	
1	3642431	Cap, Main Bearing	8	
2	3642432	Cap, Main Bearing	1	
3	4007741	Bushing	2	
4	3089173	Bushing	16	
5	3089192	Screw, Hex Flange Head Cap	18	
6	3089201	Dowel, Ring	9	
7	4016701	Dowel, Pin	2	
8	3640533	Block, Cylinder	1	
9	3332234	Screw, Hex Flange Head Cap	18	
	(4001054)	Kit, Service Block	1	
10	68445	Pin, Groove	32	
11	4017622	Plug, Expansion	4	
12	3082438	Dowel, Ring	32	
13	3629168	Plug, Expansion	9	
14	4016468	Dowel, Pin	4	
15	3640776	Seal, Tamper Proof	24	
16	4017621	Plug, Expansion	8	
17	3089378	Dowel, Pin	1	
18	3089379	Dowel, Diamond	1	
19	4017240	Plug, Expansion	19	
20	4001096	Dowel, Pin	16	
22	3903990	Screw, Hex Flange Head Cap	38	M10 x 1.50 x 20
23	3631471	Adapter, O Ring	2	
24	3632840	Seal, O Ring	6	
40	4080519	Adapter, O Ring	4	
25	3902460	Screw, Hex Flange Head Cap	12	M10 x 1.50 x 25
	3090400	Union, Male	4	
26	3090419	Union, Male	4	
27	3679139	Seal, O Ring	4	
28	3922794	Seal, O Ring	4	
	3678873	Plug, Threaded	2	
29	3678786	Seal, O Ring	2	
30	(3678791)	Plug, Threaded	2	
	4089143	Kit, Cylinder Liner	16	
31	(4085917)	Liner, Cylinder	16	
32	4017292	Seal, D Ring	16	
33	3014668	Seal, D Ring	16	
34	3081489	Seal, Oil	16	
35	3088386	Ring, Liner Seal	16	
35	3088385	Ring, Liner Seal	A/R	
35	3088387	Ring, Liner Seal	A/R	
35	3088388	Ring, Liner Seal	A/R	
36	3640540	Nozzle, Piston Cooling	16	
37	3640543	Screw, Hex Flange Head Cap	16	
38	3640536	Nozzle, Piston Cooling	16	
39	3641125	Screw, Hex Flange Head Cap	16	
41	3638583	Draincock	4	

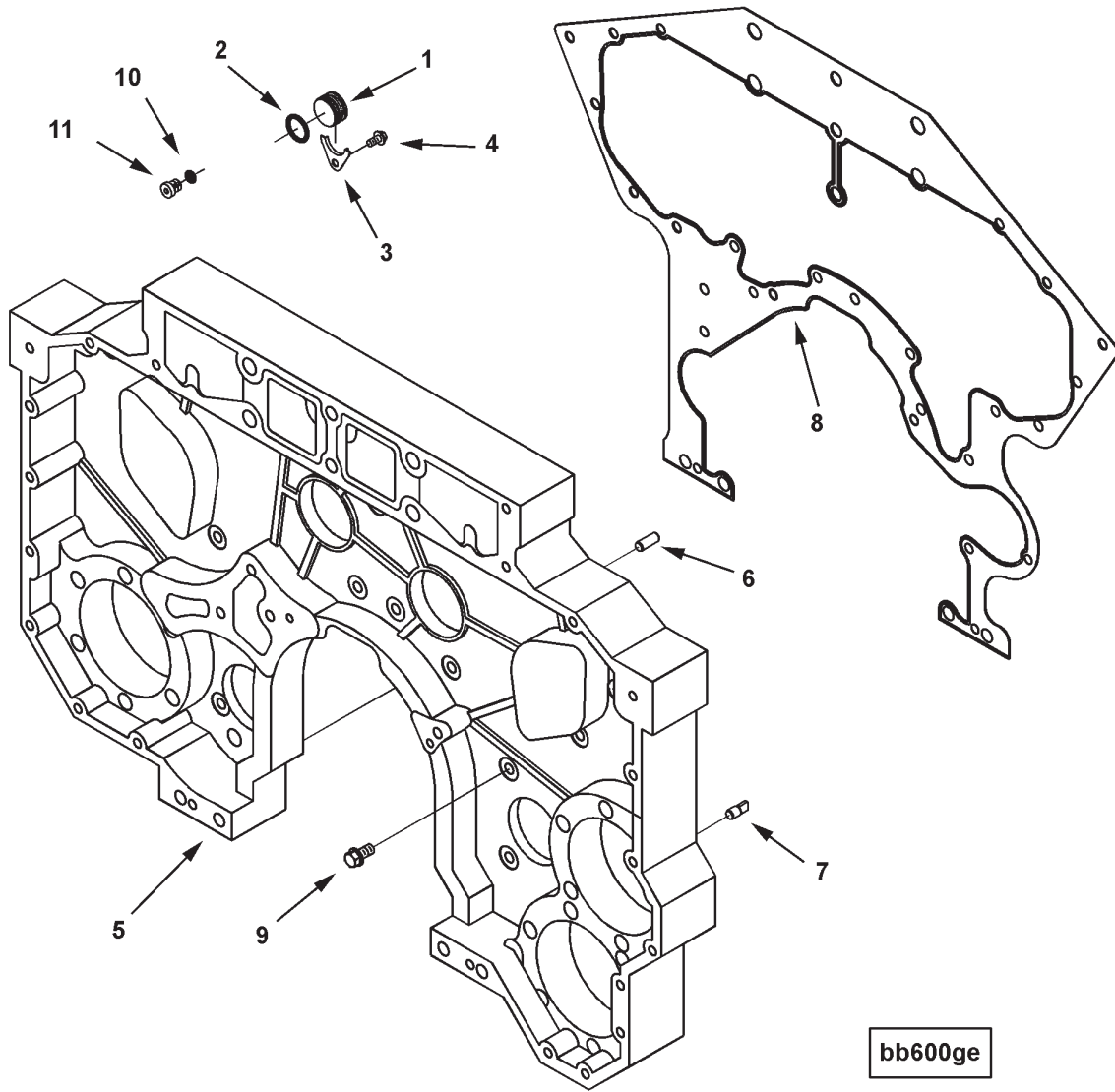


Ref No.	Part Number	Part Name	Req	Remarks
CRANKSHAFT ASSEMBLY				
OPTION BB6714				
	(3089797)	Assy, Crankshaft	1	Purchase 3089797 NX
1	206904	Key, Plain Woodruff	1	
2	4015887	Gear, Crankshaft	1	
	(3331923)	Crankshaft, Engine	1	
3	3089869	Screw, Twelve Point Cap	16	
4	(3089963)	Crankshaft, Engine	1	
5	3176218	Dowel, Ring	16	
6	3331921	Weight, Crankshaft Counter	8	
	4024792	Set, Main Bearing	1	Standard
8	3082340	Bearing, Main	9	
9	3082346	Bearing, Main	9	
10	4007569	Bearing, Thrust	4	
	4024793	Set, Main Bearing	A/R	.25 MM oversize
8	3082341	Bearing, Main	A/R	
9	3082347	Bearing, Main	A/R	
10	4007569	Bearing, Thrust	A/R	
	4024794	Set, Main Bearing	A/R	.50 MM oversize
8	3082342	Bearing, Main	A/R	
9	3082348	Bearing, Main	A/R	
10	4007569	Bearing, Thrust	A/R	
	4024795	Set, Main Bearing	A/R	.75 MM oversize
8	3082343	Bearing, Main	A/R	
9	3082349	Bearing, Main	A/R	
10	4007569	Bearing, Thrust	A/R	
	4024796	Set, Main Bearing	A/R	1.00 MM oversize
8	3082344	Bearing, Main	A/R	
9	3082350	Bearing, Main	A/R	
10	4007569	Bearing, Thrust	A/R	



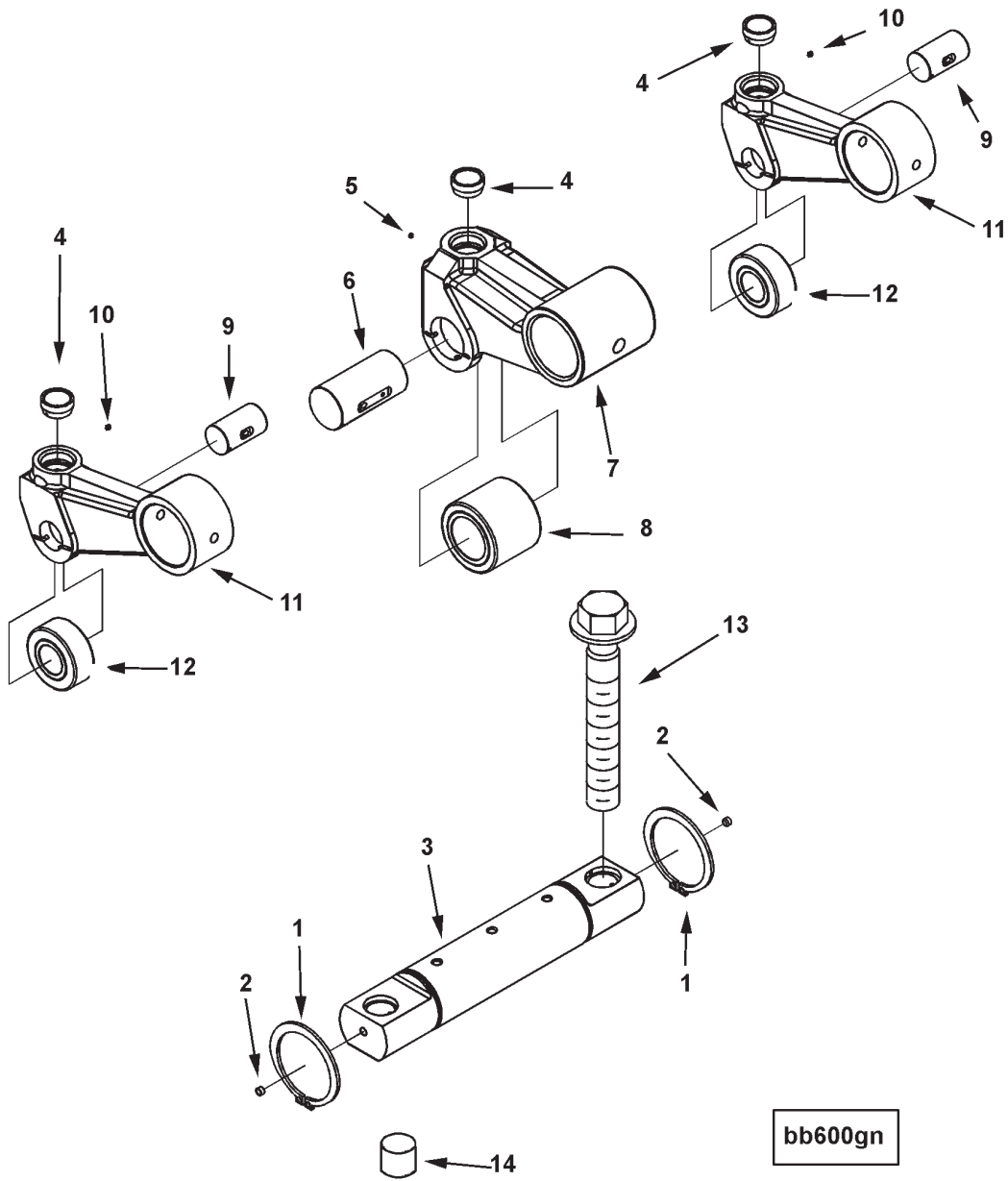
bb600gf

Ref No.	Part Number	Part Name	Req	Remarks
IDLER GEAR				
OPTION BB6714				
L.B. CAM (COMPOUND)				
	3089087	Gear, Idler	1	
1	(4015886)	Gear, Idler	1	
2	(3089089)	Gear, Idler	1	
	3082057	Bushing	2	
	3089090	Gear, Idler	1	
3	3089498	Key, Square	1	
4	3082121	Bearing, Thrust	2	
5	3089083	Shaft, Idler	1	
6	3089259	Screw, Hex Flange Head Cap	4	
7	3089281	Retainer, Gear	1	
R.B. CAM				
8	3089091	Gear, Idler	1	
	(4000790)	Gear, Idler	1	
	3089214	Bushing	1	
4	3082121	Bearing, Thrust	2	
9	3082427	Screw, Hex Flange Head Cap	4	
10	3089084	Shaft, Idler	1	
7	3089281	Retainer, Gear	1	
WATER PUMP				
11	3089105	Gear, Idler	1	
	(4000791)	Gear, Idler	1	
	3089107	Bushing	1	
4	3082121	Bearing, Thrust	2	
9	3082427	Screw, Hex Flange Head Cap	3	
12	3089104	Shaft, Idler	1	
13	3089320	Retainer, Gear	1	
ACC. DR. (COMPOUND)				
	3089121	Gear, Idler	1	
14	3089122	Gear, Idler	1	
15	(3089123)	Gear, Idler	1	
	(4000793)	Gear, Idler	1	
	3089315	Bushing	2	
4	3082121	Bearing, Thrust	2	
6	3089259	Screw, Hex Flange Head Cap	4	
7	3089281	Retainer, Gear	1	
16	3089314	Shaft, Idler	1	

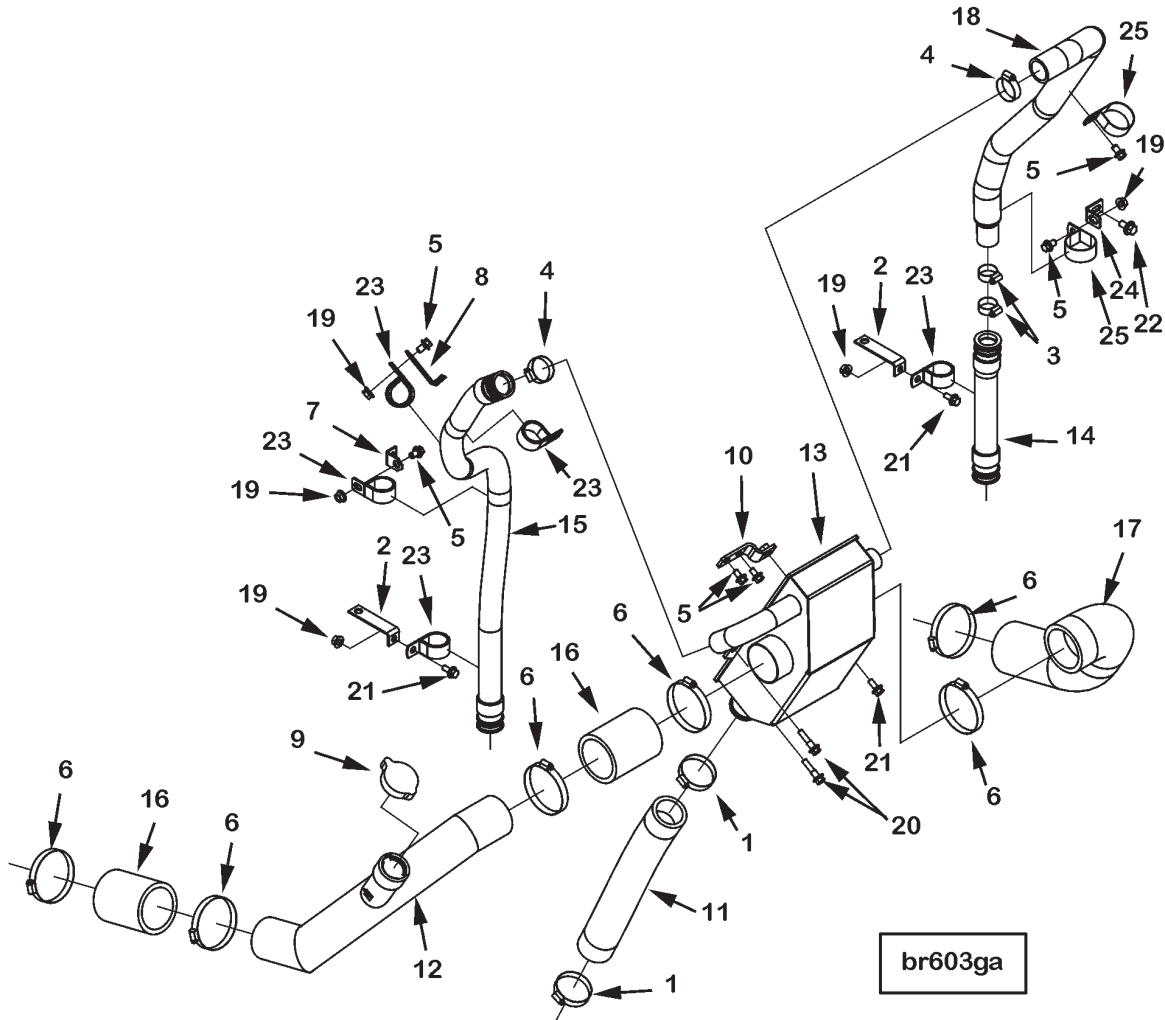


bb600ge

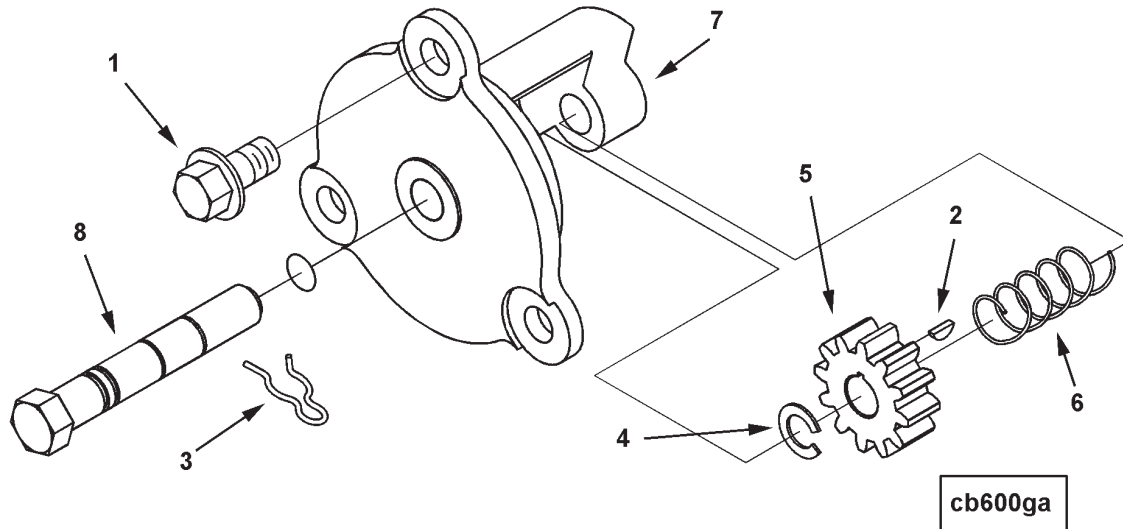
Ref No.	Part Number	Part Name	Req	Remarks
		GEAR HOUSING OPTION BB6714		
1	3171643	Plug, Gear Housing	2	
2	3035026	Seal, O Ring	2	
3	3090171	Clamp, Tube	2	
4	3900629	Screw, Hex Flange Head Cap	2	M8 x 1.25 x 16
5	3635814	Housing, Gear	1	
6	3089378	Dowel, Pin	1	
7	3089379	Dowel, Diamond	1	
8	4007165	Gasket, Gear Housing	1	
9	3910495	Screw, Hex Flange Head Cap	19	M12 X 1.75 X 30.
	3678611	Plug, Threaded	2	
10	3678606	Seal, O Ring	2	
11	(3678605)	Plug, Threaded	2	M27x2



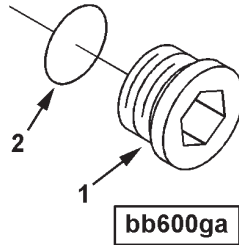
Ref No.	Part Number	Part Name	Req	Remarks
		CAM FOLLOWER LEVER		
		OPTION BB6714		
1	3082415	Ring, Retaining	32	
	3082416	Shaft, Cam Follower	16	
2	(4066210)	Plug, Ball	2	
3	(3082417)	Shaft, Cam Follower	1	
	4065754	Lever, Cam Follower	16	
4	4006772	Socket, Cam Follower	1	
5	4066811	Plug, Ball	2	
6	4065749	Pin, Cam Follower Roller	1	
7	4065755	Lever, Cam Follower	1	
8	(3089217)	Roller, Cam Follower	1	
	4065756	Lever, Cam Follower	32	
9	4065750	Pin, Cam Follower Roller	1	
10	4066811	Plug, Ball	2	
4	4006772	Socket, Cam Follower	1	
11	4065757	Lever, Cam Follower	1	
12	(3090010)	Roller, Cam Follower	1	
13	3082427	Screw, Hex Flange Head Cap	32	
14	3082438	Dowel, Ring	32	



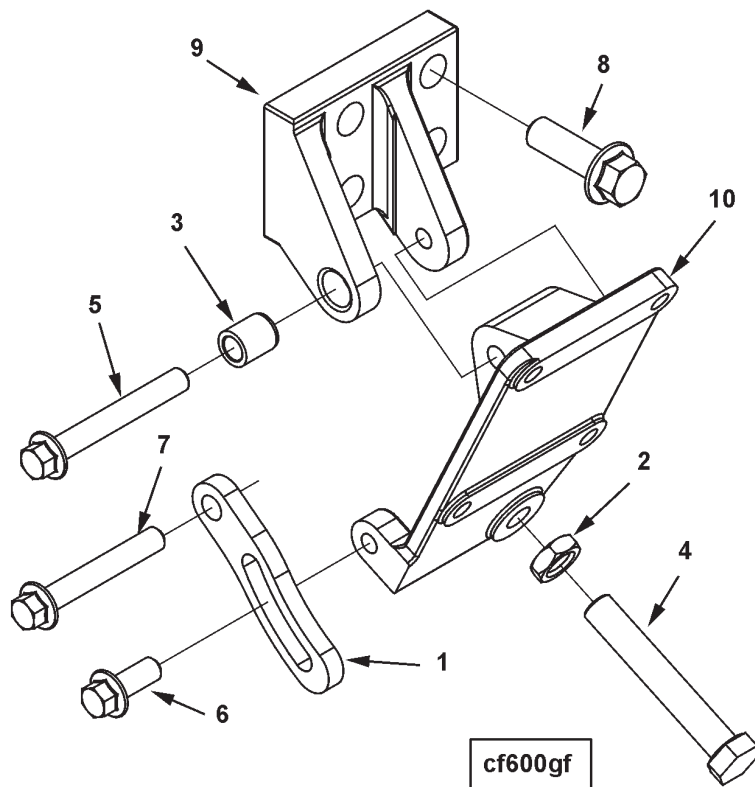
Ref No.	Part Number	Part Name	Req	Remarks
BREATHER,CRANKCASE				
OPTION BR6768				
1	43828 D	Clamp, Hose	2	2 1/16 - 3 Inch.
2	3642285	Brace, Tube	2	
3	209773	Clamp, Hose	2	3/4 - 1 3/4 Inch.
4	3010518	Clamp, Hose	2	1 1/2 - 2 Inch.
5	3093957	Screw, Hex Flange Head Cap	6	
6	3396094	Clamp, Hose	6	
7	3628553	Brace, Tube	1	
8	3628554	Brace, Tube	1	
9	3629112	Cap, Filler	1	
10	3636268	Brace, Connection	1	
11	3636435	Hose, Plain	1	
12	3636560	Tube, Breather	1	
13	3636929	Breather, Crankcase	1	
14	3636945	Hose, Molded	1	
15	3636947	Hose, Molded	1	
16	3637200	Hose, Plain	2	
17	3637342	Hose, Molded	1	
18	3637961	Hose, Molded	1	
19	3902662	Nut, Hexagon Flange	5	M10 X 1.50.
20	3903464	Screw, Hex Flange Head Cap	2	M10 X 1.50 X 40.
21	3903990	Screw, Hex Flange Head Cap	3	M10 X 1.50 X 20.
22	3913372	Screw, Hex Flange Head Cap	1	M12 X 1.75 X 20.
23	4006930	Clip	5	
24	4065603	Bracket, Connection	1	
25	4080234	Clip	2	



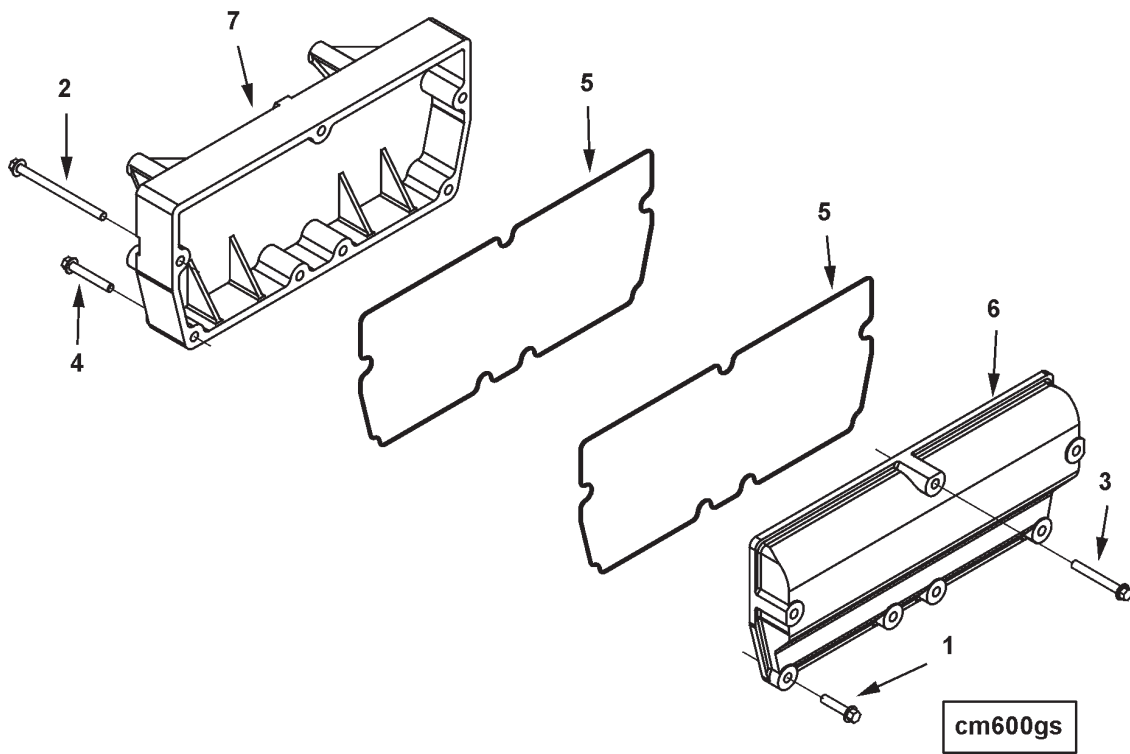
Ref No.	Part Number	Part Name	Req	Remarks
		ENGINE BARRING DRIVE		
		OPTION CB6701		
				Drive, engine barring.
1	3089324	Screw, Hex Flange Head Cap	3	
	3332325	Drive, Engine Barring	1	
2	S 306	Key, Plain Woodruff	1	
3	169834	Clip	1	
4	206090	Ring, Retaining	1	
5	206091	Gear, Engine Barring	1	
6	206092	Spring, Compression	1	
7	3332326	Housing, Engine Barring	1	
8	3332383	Shaft, Barring	1	
9	3913994	Seal, O Ring	1	



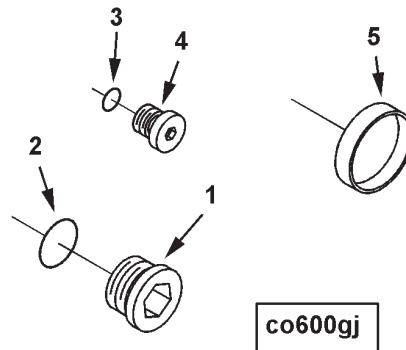
Ref No.	Part Number	Part Name	Req	Remarks
COMPRESSOR COOLANT PLUMBIN OPTION CC6701				
1	3678873 (3678791)	Plug, Threaded	1	Compressor coolant plumbing. Air compressor: None M18x1.5
2	3678786	Plug, Threaded	1	
		Seal, O Ring	1	



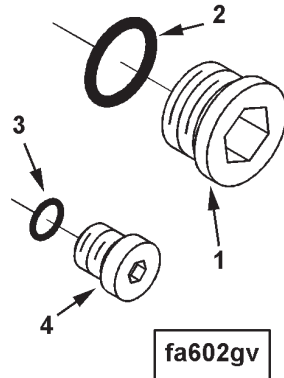
Ref No.	Part Number	Part Name	Req	Remarks
		MOUNTING,REF COMPRESSOR OPTION CF6007		Refrigerant compressor mounting mounting description: For customer supplied refrigerant compressor mounting location: On engine
1	3171103	Link, Adjusting	1	
2	3251297	Nut, Regular Hexagon Jam	1	
3	3332237	Sleeve	1	
4	3637997	Screw, Hexagon Head Cap	1	
5	3902451	Screw, Hex Flange Head Cap	1	M12 X 1.75 X 90.
6	3910495	Screw, Hex Flange Head Cap	1	M12 X 1.75 X 30.
7	3914177	Screw, Hex Flange Head Cap	1	M12 X 1.75 X 80.
8	3916071	Screw, Hex Flange Head Cap	4	M16 X 2.00 X 50.
9	4016939	Bracket, Ref Compressor	1	
10	3639728	Support, Ref Compressor	1	



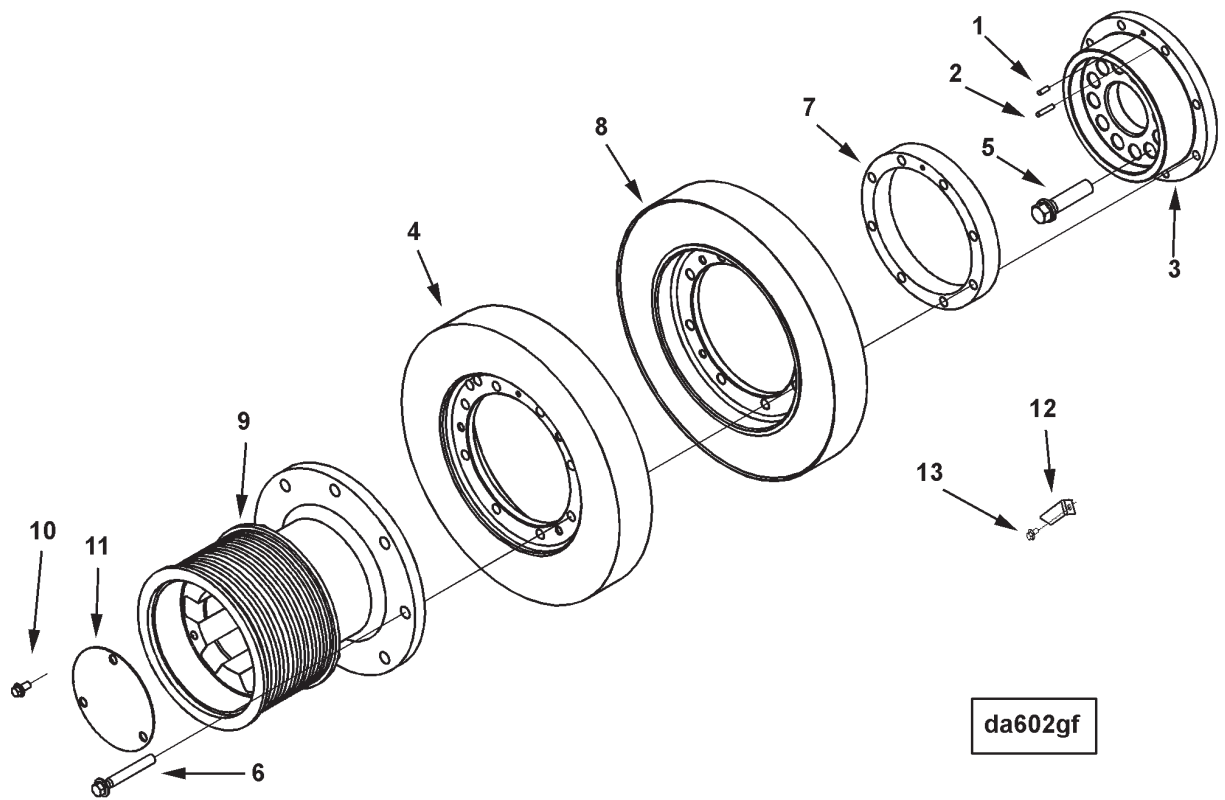
Ref No.	Part Number	Part Name	Req	Remarks
		CAM FOLLOWER COVER OPTION CM6715		Cam follower cover Engine Model: Qsk60 C cense: Yes two cylinders are covered by each cover.
1	3089232	Screw, Hex Flange Head Cap	27	
2	3089316	Screw, Hex Flange Head Cap	3	
3	3900679	Screw, Hex Flange Head Cap	18	M10 X 1.50 X 80.
4	3944593	Screw, Hex Flange Head Cap	2	M10 x 1.50 x 65
5	4085924	Gasket, Camshaft Cover	8	
6	4085925	Cover, Camshaft	7	
7	3642053	Cover, Camshaft	1	



Ref No.	Part Number	Part Name	Req	Remarks
OIL REP SYSTEM PLUMBING				
OPTION CO6702				
				Plumbing, oil replenishing system centinel: No For use on QSK45/60 engines For use with phase 2.0 harness only.
1	3678611 (3678605)	Plug, Threaded	1	
2	3678606	Seal, O Ring	1	
	3678921	Plug, Threaded	1	M14 x 1.50.
3	3678912	Seal, O Ring	1	
4	(3678922)	Plug, Threaded	1	M14 x 1.50.
5	4017621	Plug, Expansion	1	

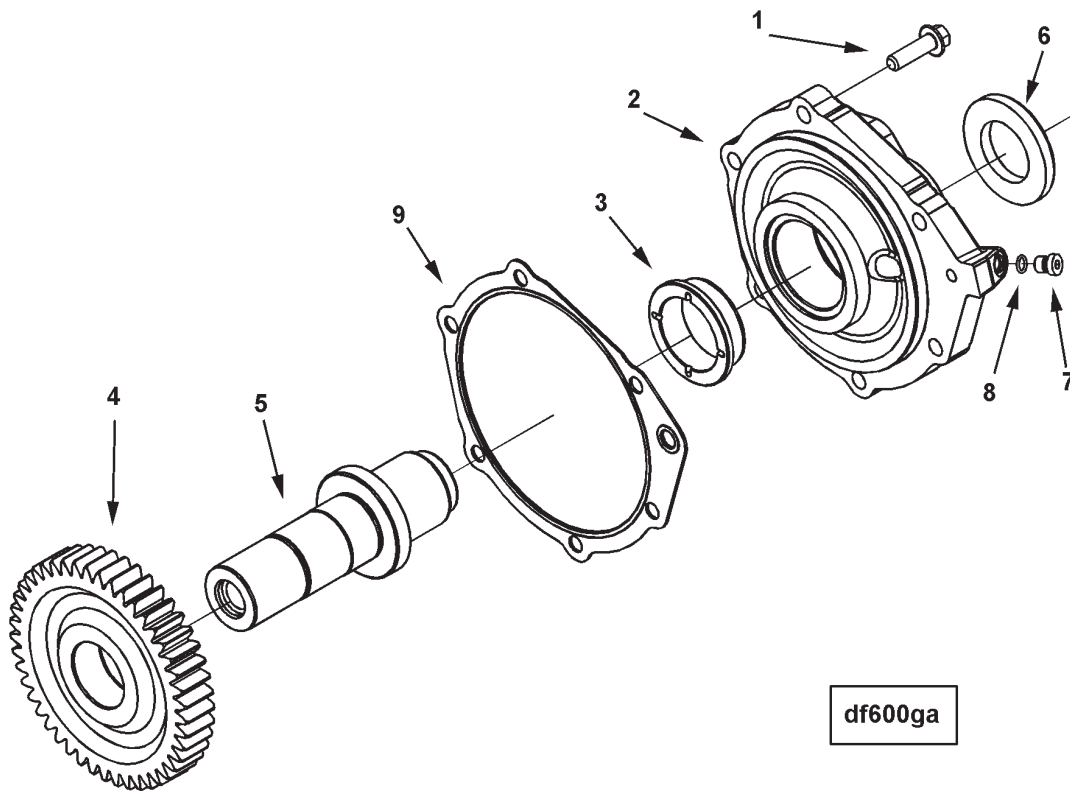


Ref No.	Part Number	Part Name	Req	Remarks
		AIR COMPRESSOR OPTION CP6017		Air compressor: No Plugs are used in thermostat housing.
1	3678873 (3678791)	Plug, Threaded	1	
2	3678786	Plug, Threaded	1	M18x1.5
	3678921	Seal, O Ring	1	
3	3678921	Plug, Threaded	2	
	3678912	Seal, O Ring	1	
4	(3678922)	Plug, Threaded	1	M14 x 1.50.



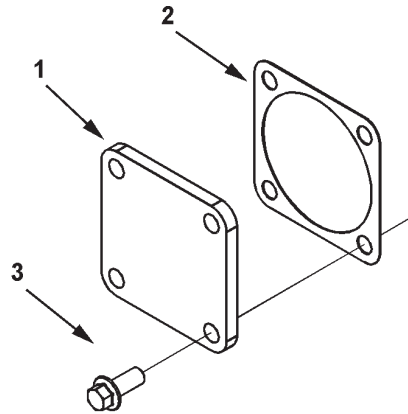
da602gf

Ref No.	Part Number	Part Name	Req	Remarks
		VIBRATION DAMPER OPTION DA6147		Vibration damper type: Dual standard viscosity Number Of Dampers: 2 Provision For Mounting Front Power Takeoff: No pulley material: Cast iron Pulley Groove Description: L-Ribbed pulley diameter: 214mm Number Of Grooves: 23 fan drive: Yes speed limitation: 1900 RPM Unique Characteristics: Base circle diameter of crank attached holes is 241.3. With press fit crankshaft adapter. Drive pulley ratio: 0.42:1 and 0.50:1 and 0.55:1 Engine Model: Qsk60 damper size: 520mm.
1	131584	Pin, Roll	1	
2	3033629	Pin, Roll	1	
3	3089093	Adapter, Crankshaft	1	
4	4007034	Damper, Vibration	1	
5	3089127	Screw, Hex Flange Head Cap	12	
6	3089128	Screw, Hex Flange Head Cap	8	
7	3089570	Spacer, Crankshaft	1	
8	4007035	Damper, Vibration	1	
9	4016987	Pulley, Crankshaft	1	
10	3903990	Screw, Hex Flange Head Cap	3	M10 x 1.50 x 20
11	3036115	Cover, Protective	1	
12	4017238	Pointer, Timing	1	
13	3900626	Screw, Hex Flange Head Cap	1	M6 x 1.00 x 12



df600ga

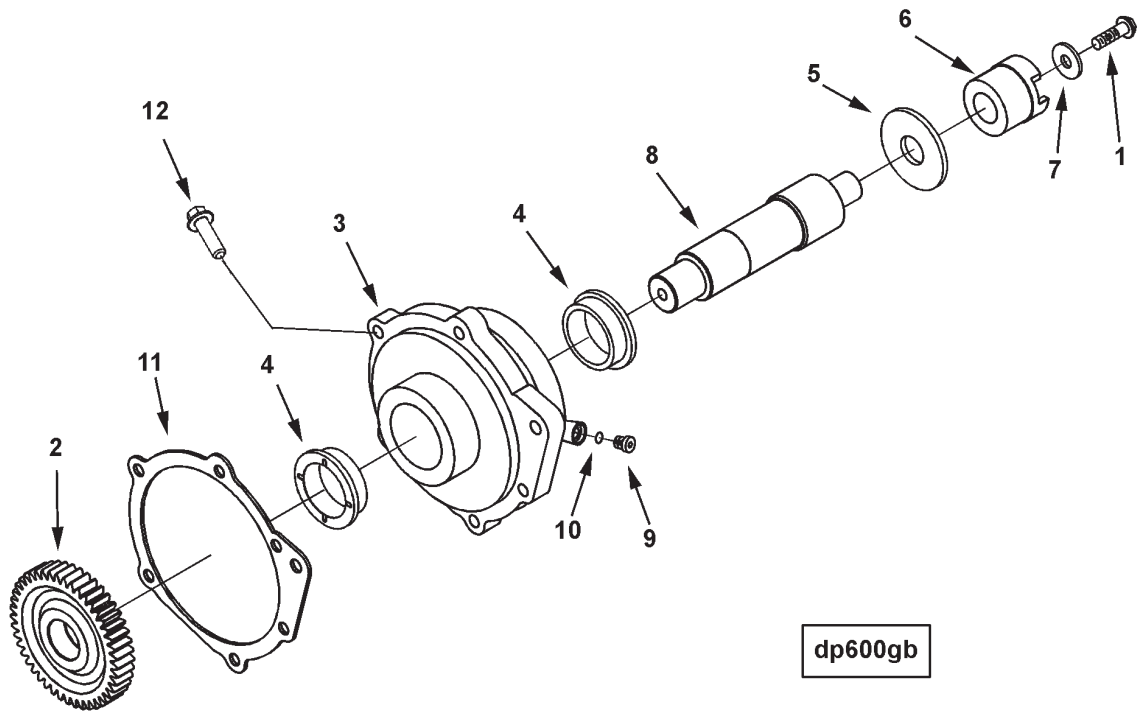
Ref No.	Part Number	Part Name	Req	Remarks
		FRONT GEAR TRAIN ACCESSORY OPTION DF6003		Front gear train accessory drive. Drive location front: Yes Drive location rear: Yes Drive provision: Yes Number Of Teeth Spline Drive Front: 13 Number Of Teeth Spline Drive Rear: 13 Can be used with 2 or 4 bolt flange.
1	3089016	Screw, Hex Flange Head Cap	6	M10 X 1.50 X 35
	4066546	Drive, Hydraulic Pump	1	
	4066545	Support, Hydraulic Pump	1	
2	4066385	Support, Hydraulic Pump	1	
3	3089409	Bushing	2	
	4066057	Gear & Shaft	1	
4	3089100	Gear, Accessory Drive	1	
5	(4065992)	Shaft, Hyd Pump Drive	1	
6	3089415	Retainer, Shaft	1	
	3678923	Plug, Threaded	1	
7	(3678924)	Plug, Threaded	1	M10 X 1 X 13.5
8	3678925	Seal, O Ring	1	M10 x 1.00
9	3332298	Gasket, Hyd Drive Support	1	



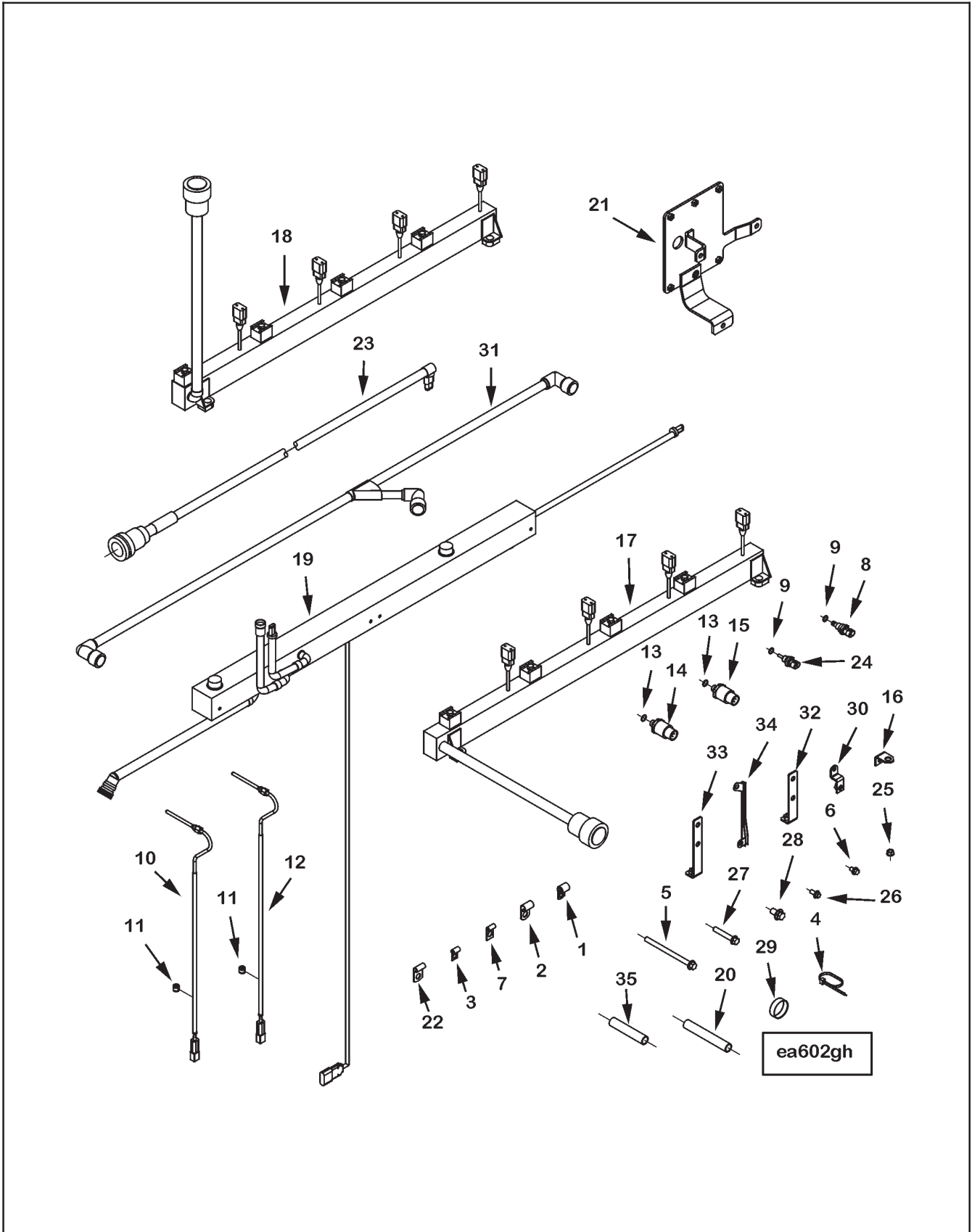
df600gc

Ref No.	Part Number	Part Name	Req	Remarks
FRONT GEAR TRAIN ACCESSORY OPTION DF6701				
1	206405	Plate, Cover	1	Front gear train accessory mounting. Drive location front: N/A Drive location rear: Yes Contains cover plate for rear of accessory drive housing.
2	3082132	Gasket, Cover Plate	1	
3	3910495	Screw, Hex Flange Head Cap	4	
M12 x 1.75 x 30				

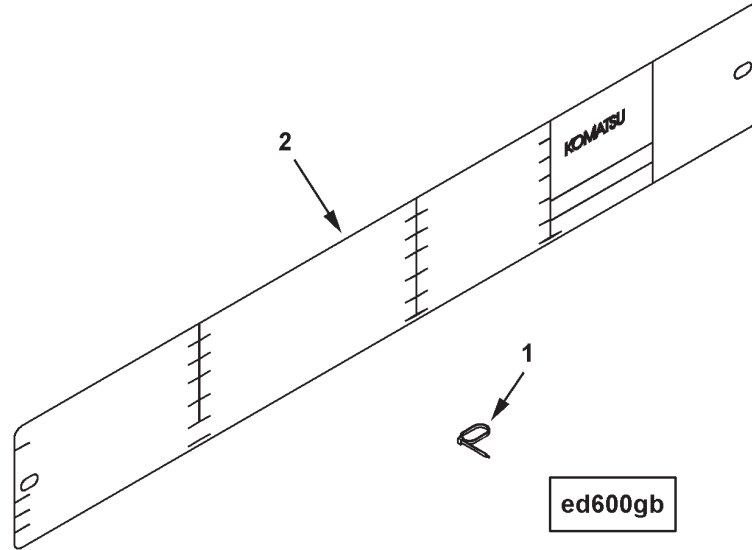
Ref No.	Part Number	Part Name	Req	Remarks
		<p align="center">SOFTWARE,CUS INTERFACE OPTION DO6631</p>		<p>Customer interface software Engine Control System: HPI Transmission: Electric Drive Commun Support: J1587,J1939 OEM Name: Kms OEM Model: 830 E-AC oemcomment: Haultruck (psc) Remote Throttle: N High Idle: 1910 RPM Low Idle: 0750 RPM ISC enable: On ISC Validation: N/A switch speed input: Yes Torque Curve Selection: No ASG/axg/min/ max: ASG governor droop: 00 % idle valida- tion: No Multiple Unit Synchronization: No Output Driver Setup: No Calibration Voltage: 24 Throttle Type: Frequency comment: None powermatch: N/A guid: N/A software phase: 5.9.7.8 flywheel size: 0 centinel: No.</p>



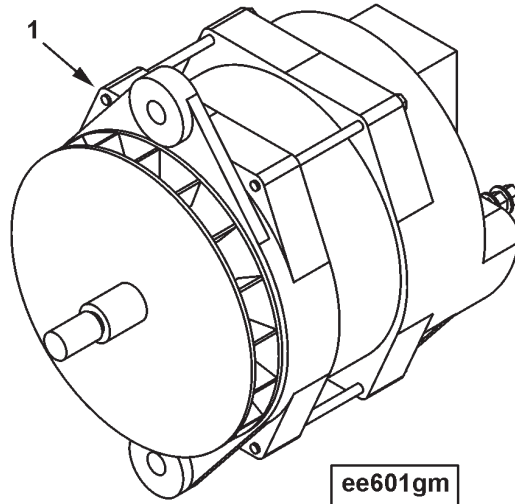
Ref No.	Part Number	Part Name	Req	Remarks
		FUEL PUMP DRIVE		
		OPTION DP6702		
				Fuel pump drive
				Air compressor: No.
				M10 x 1.50 x 70
1	3904446	Screw, Hex Flange Head Cap	1	
	4017326	Support, Fuel Pump	1	
2	3089100	Gear, Accessory Drive	1	
	3089102	Support, Fuel Pump	1	
3	3089103	Support, Fuel Pump	1	
4	3089409	Bushing	2	
5	3089407	Washer, Plain	1	
6	4015993	Hub, Jaw Coupling	1	
7	3089555	Washer, Plain	1	
8	4017529	Shaft, Fuel Pump Drive	1	
	3678923	Plug, Threaded	1	
9	(3678924)	Plug, Threaded	1	M10 X 1 X 13.5
10	3678925	Seal, O Ring	1	
11	3332297	Gasket, Acc Drive Support	1	
12	3089016	Screw, Hex Flange Head Cap	6	



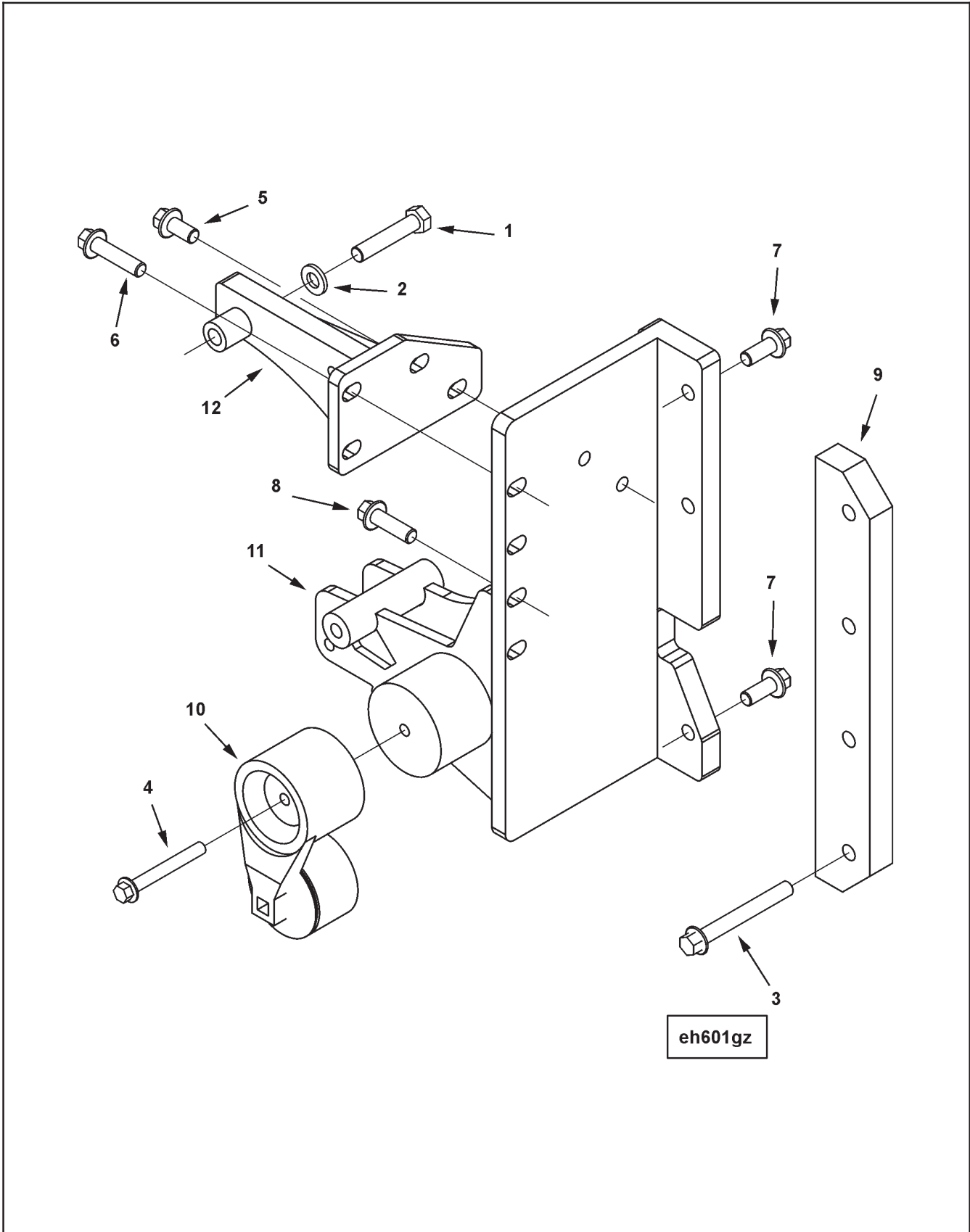
Ref No.	Part Number	Part Name	Req	Remarks
		ACCESSORIES,ELECTRICAL		
		OPTION EA6743		
				Electrical accessories cense: Yes eliminator: No
				Engine Model: Qsk60
				Contains some mounted hardware for fitting the aftercoolers and cam follower covers when cense is fitted to the engine.
1	68152	Clip	4	# 4
2	68152 B	Clip	6	
3	180371	Clip	16	
4	3062329	Clamp, Wire Tie	2	
5	3089316	Screw, Hex Flange Head Cap	6	
6	3093956	Screw, Hex Flange Head Cap	45	M08 x 1.25 x 12.
7	3281178	Clip	4	
	3408345	Sensor, Temperature	4	Coolant or intake m
8	(3408346)	Sensor, Temperature	1	
9	(4921574)	Seal, O Ring	1	
	3408543	Sensor, Temperature	14	Exhaust gas.
10	(3408500)	Sensor, Temperature	1	
11	3408541	Seal, Grommet	1	
	3408544	Sensor, Temperature	2	Exhaust gas.
11	3408541	Seal, Grommet	1	
12	(3408542)	Sensor, Temperature	1	Exhaust gas.
	3408556	Sensor, Pressure	1	Coolant or intake m
13	3330202	Seal, O Ring	1	
14	(3408557)	Sensor, Pressure	1	
	3408558	Sensor, Pressure	2	Oil.
13	3330202	Seal, O Ring	1	
15	(3408559)	Sensor, Pressure	1	Oil.
16	3628553	Brace, Tube	1	
17	3637064	Harness, Wiring	2	
18	3637066	Harness, Wiring	2	
19	3637070	Harness, Wiring	1	
20	3637448	Shield, Heat	16	
21	3638772	Bracket, Etr Cnt Module	1	
22	(3639265)	Clip	1	
23	3639665	Harness, Wiring	1	
24	4954905	Sensor, Temperature	1	Coolant or oil.
9	4010519	Seal, O Ring	1	
25	3900589	Nut, Hexagon Flange	1	M8 X 1.25
26	3900629	Screw, Hex Flange Head Cap	4	M8 x 1.25 x 16
27	3900635	Screw, Hex Flange Head Cap	8	M10 X 1.50 X 60.
28	3913372	Screw, Hex Flange Head Cap	1	M12 X 1.75 X 20.
29	4017050	Cover, Protective	1	
30	4066560	Bracket, Wiring Retainer	1	
31	4066653	Harness, Etr Cnt Mdl Wrg	1	Right Bank
32	4066935	Brace, Wiring	1	
33	4066937	Brace, Wiring	2	
34	4097481	Brace, Wiring	14	
35	3642220	Shield, Heat	16	



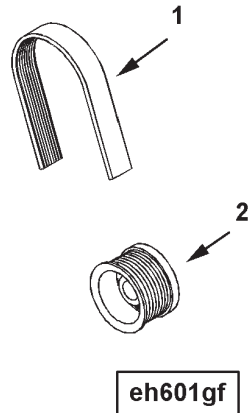
Ref No.	Part Number	Part Name	Req	Remarks
		DATAPLATE,CUSTOMER OPTION ED6016		Customer, dataplate Certified By: EPA,CARB Application: Nonroad cert level: Tier 2,tier 2 special allowance: N/A cert agent: EPA,CARB manufacturer of record: Komatsu.
1	3018920	Clamp, Wire Tie	1	
2	4970364	Dataplate	1	



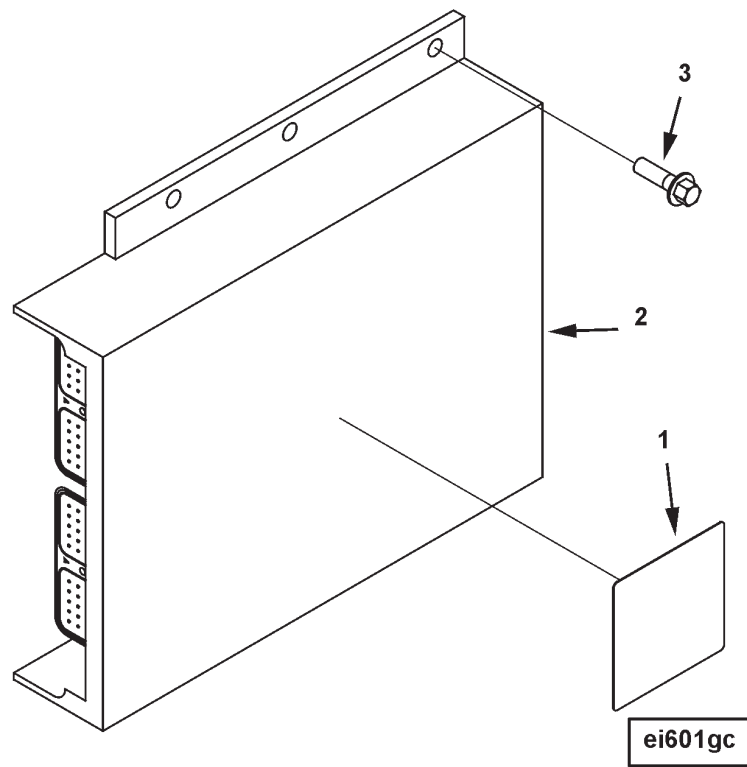
Ref No.	Part Number	Part Name	Req	Remarks
1	3975140	<p style="text-align: center;">ALTERNATOR OPTION EE6074</p> <p>Alternator</p>	1	<p>Alternator manufacturer: Manufactured by Prestolite, branded FO cummins.</p> <p>Model: Bdl 3314 Voltage: 24 Amperage: 140 ground type: Negative insulated: No built in voltage regulator: Yes Wiring Harness Included: No ground strap required: Yes ground strap included: No cooling fan included: Yes brush type: No brushless: Yes.</p>



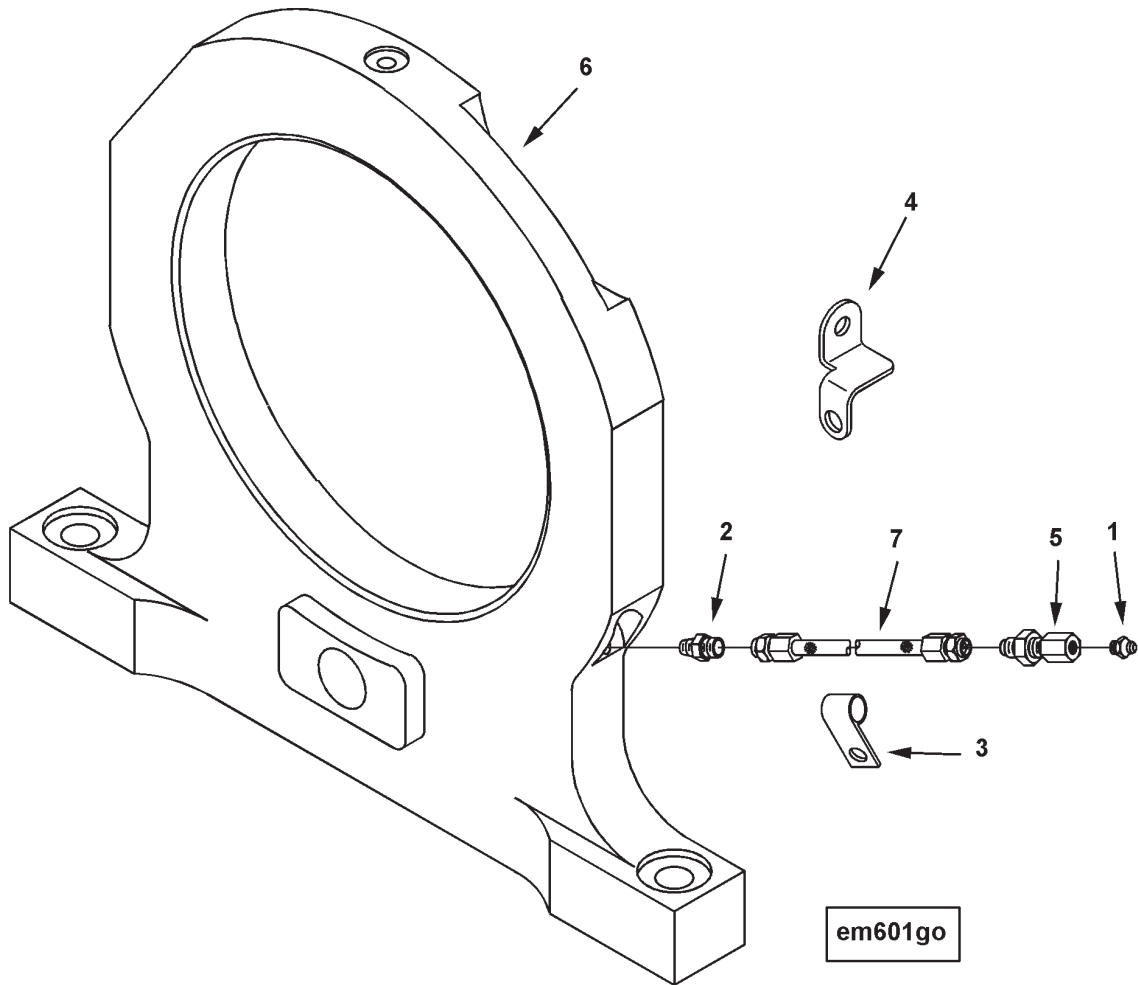
Ref No.	Part Number	Part Name	Req	Remarks
		ALTERNATOR MOUNTING OPTION EH6015		Mounting, alternator alternator manufacture: Cummins branded no. of alternators: 1 Drive Ratio: 3.56:1 Model: Prestolite Bdl 3314 pulley description: 10 groove pk section v ribbed Pulley Location: Right Bank Side Of Engine through the front gear cover mounting type: Lug kitted: No attachment point: Crank centerline: TBD mm horizontal crank centerline: TBD mm vertical adjusting link included: No belt description: 10rib pk section v ribbed Unique Characteristics: Automatic belt tensioner.
1	S 150	Screw, Hexagon Head Cap	1	1/2 - 13 X 2 1/2 Inch.
2	3094584	Flange	1	
3	3332242	Screw, Hex Flange Head Cap	4	
4	3896408	Screw, Hex Flange Head Cap	1	
5	3901249	Screw, Hex Flange Head Cap	2	M12 X 1.75 X 25.
6	3902116	Screw, Hex Flange Head Cap	4	M12 X 1.75 X 50.
7	3910495	Screw, Hex Flange Head Cap	3	M12 X 1.75 X 30.
8	3920447	Screw, Hex Flange Head Cap	3	M12 X 1.75 X 40.
9	3638150	Plate, Clamping	1	
10	3638012	Tensioner, Belt	1	
11	3638016	Bracket, Alternator	1	
12	4086640	Bracket, Alternator	1	



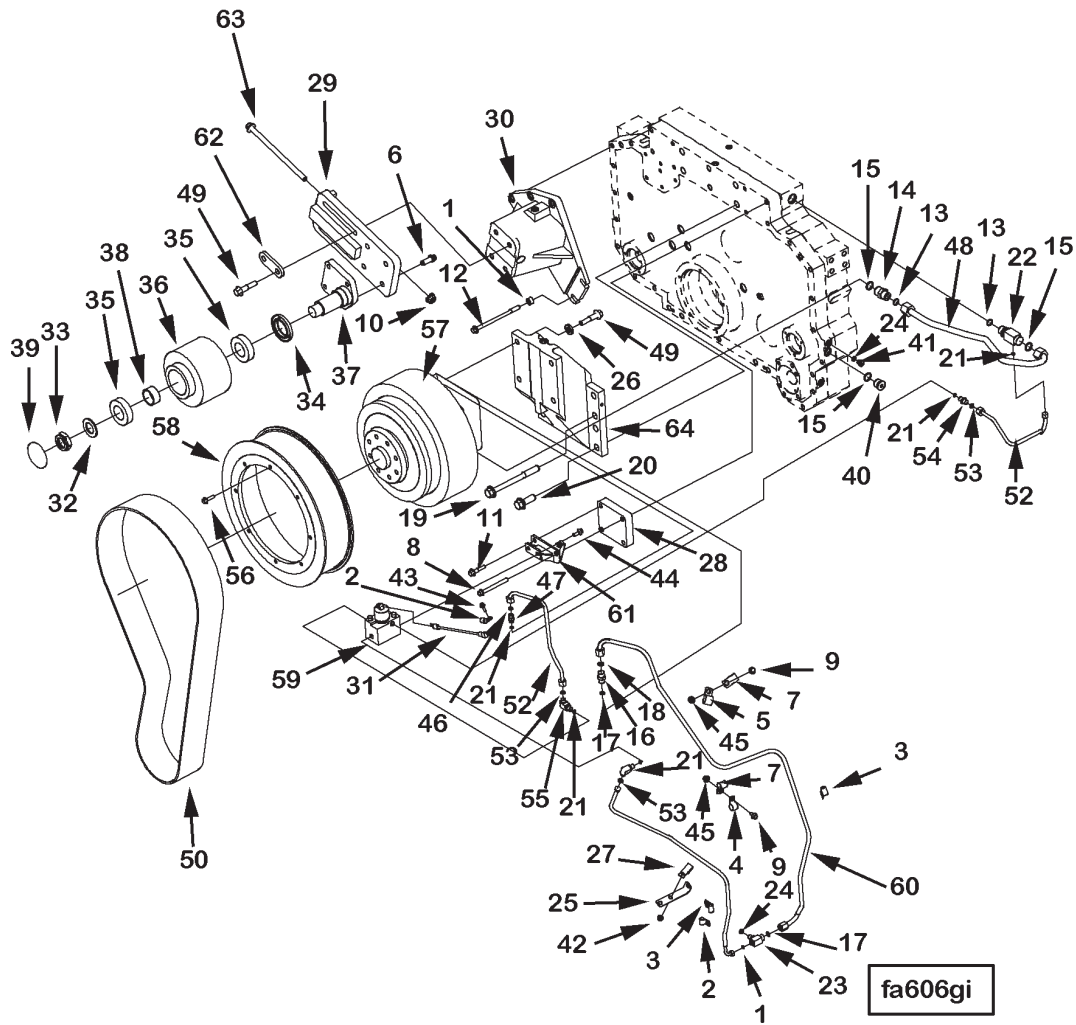
Ref No.	Part Number	Part Name	Req	Remarks
ALTERNATOR DRIVE PULLEY OPTION EH6707				
1	4066750	Belt, V Ribbed	1	Alternator drive pulley no. of alternators: 1 Drive Ratio: 3.56:1 belt description: 10rib pk section v-ribbed Supplied In Kit: No pulley description: 10 groove pk section v-ribbed alternator manufacturing: Niehoff 260amp 28 v model c653 a-1 and Prestolite 175amp 24volt. Model 8 SC300EH0670700 and Prestolite 140amp 24volt model bld 3314.
2	3630144	Pulley, Alternator	1	



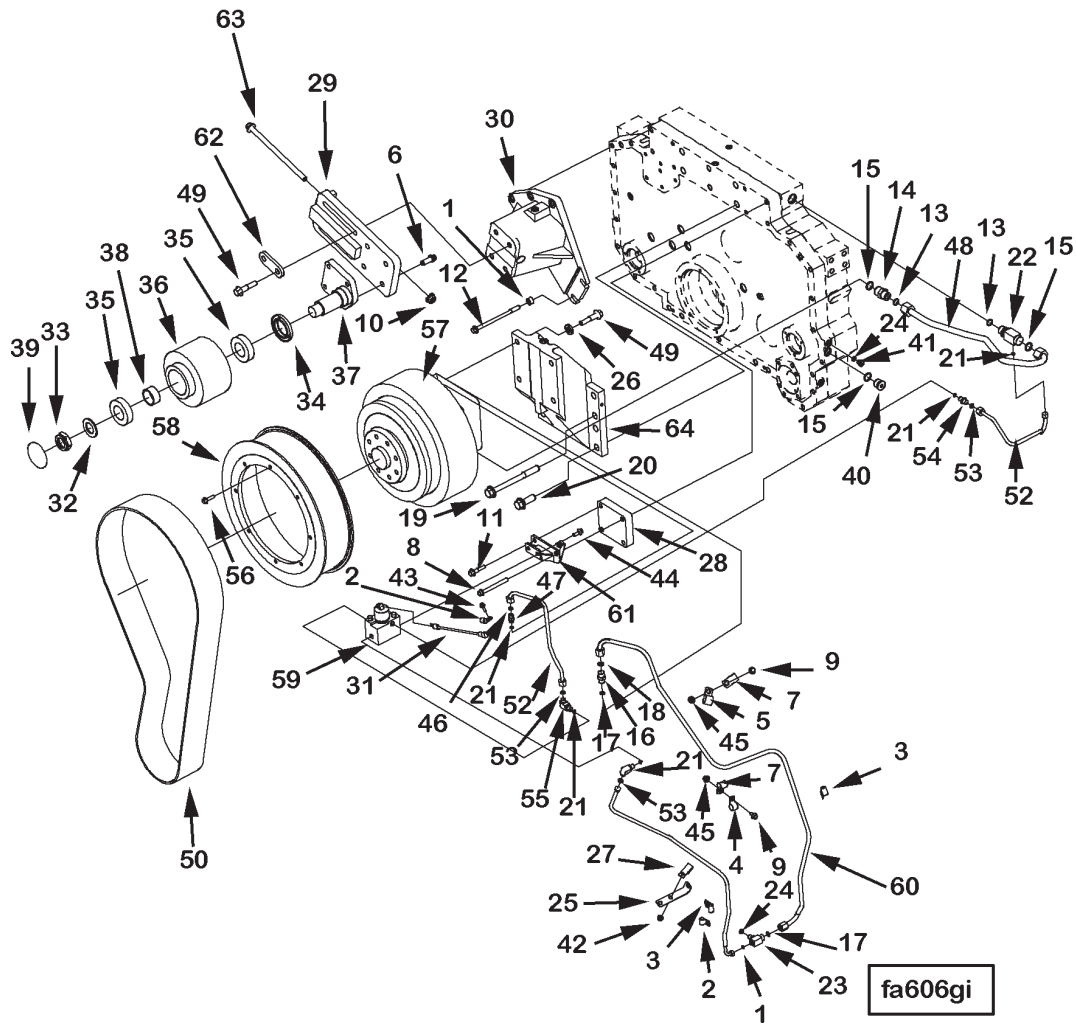
Ref No.	Part Number	Part Name	Req	Remarks
		MONITOR,ELECTRONIC ENGINE OPTION EI6746		Cense, electronic engine monitoring system Engine Model: Qsk60 Advertised Power: 2500 BHP At 1900 RPM modular mining: N comment: 830 e statex 3 SS hbmeq tier 1 OEM Name: Kms OEM Application: Haultruck do: 06117,06118,06399,06400 software phase: 4.0.2 Engine Control System: Aem.
1	3066855	Dataplate	1	
2	3098771	Module, Electronic Control	1	
3	3901865 (4065689)	Screw, Hex Flange Head Cap System, Engine Monitoring	7	M6 X 1.00 X 20.
			1	



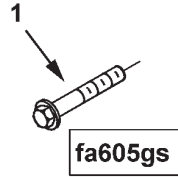
Ref No.	Part Number	Part Name	Req	Remarks
		FRONT ENGINE SUPPORT OPTION EM6085		Support, front engine mounting location: Front type: Trunnion Unique Characteristics: Has remote grease fill To be used on qsk45/60 construction engines.
1	S 2268	Fitting, Grease	1	
2	68138	Connector, Male	1	
3	68425	Clip	1	
4	3634008	Bracket, Connection	1	
5	3634057	Adapter, Plain Pipe	1	
6	4066304	Support, Front Engine	1	
7	4080433	Hose, Flexible	1	



Ref No.	Part Number	Part Name	Req	Remarks
		DRIVE,FAN OPTION FA6192		Drive, fan Fan Center Distance To Crank Centerline: 700mm (27.6in) offset from centerline of crank: 0mm type of drive: 8 bolt belt descrip- tion: 23 l belt included: Yes Drive Ratio: .42:1 Crank Pulley Diameter: 215mm distance of fan mounting surface from Front Of Block: 630.5mm Fan Pulley Diameter: 513mm type of fan hub: Variable viscous clutch Method Of Tensioning: Manual Backside Idler tensioner included: Yes fan drive limitations: Maximum Horsepower: 150 HP Maximum Torque Capability: TBD Maximum Fan Inertia: (In- LB/sce**2) TBD maximum bending movement on fan hub mounting surface: (Inlb) TBD Maximum Fan Weight: (LB) TBD Maximum Fan Spacer Length: 0mm special installation requirements: Fan mounting bolts must be grade 10.9 as per ces12107 Unique Characteristics: Fan mounting is an 8 bolt pattern bolt pattern is m16 x 2 tapped holes on a 5- 3/4in. (146mm) bolt circle.
1	66747	Spacer, Mounting	2	
2	68152	Clip	2	
3	68152 B	Clip	4	
4	69911 A	Clip	1	
5	107460	Clip	1	
6	206391	Screw, Twelve Point Cap	4	5/8 - 11 X 1 1/2 Inch.
7	216848	Clip	2	
8	3089563	Screw, Hex Flange Head Cap	1	
9	3093957	Screw, Hex Flange Head Cap	2	
10	3171181	Nut, Hexagon Flange	1	
11	3171713	Screw, Hex Flange Head Cap	2	
12	3171715	Screw, Hex Flange Head Cap	2	
	3171722	Union, Male	1	
13	3085709	Seal, O Ring	1	
14	(3171723)	Union, Male	1	
15	3678606	Seal, O Ring	1	
	3331873	Union, Male	1	
16	(3331838)	Union, Male	1	
17	3627695	Seal, O Ring	1	
18	3678786	Seal, O Ring	1	
19	3332174	Screw, Hex Flange Head Cap	4	
20	3332175	Screw, Hex Flange Head Cap	2	
	3410781	Tee, Male Union	1	
13	3085709	Seal, O Ring	1	
21	3089392	Seal, O Ring	1	
22	(3410367)	Tee, Male Run	1	
15	3678606	Seal, O Ring	1	
	3410782	Tee, Male Union	1	
21	3089392	Seal, O Ring	1	
23	(3410368)	Tee, Male Union	1	
17	3627695	Seal, O Ring	1	
24	3678912	Seal, O Ring	1	

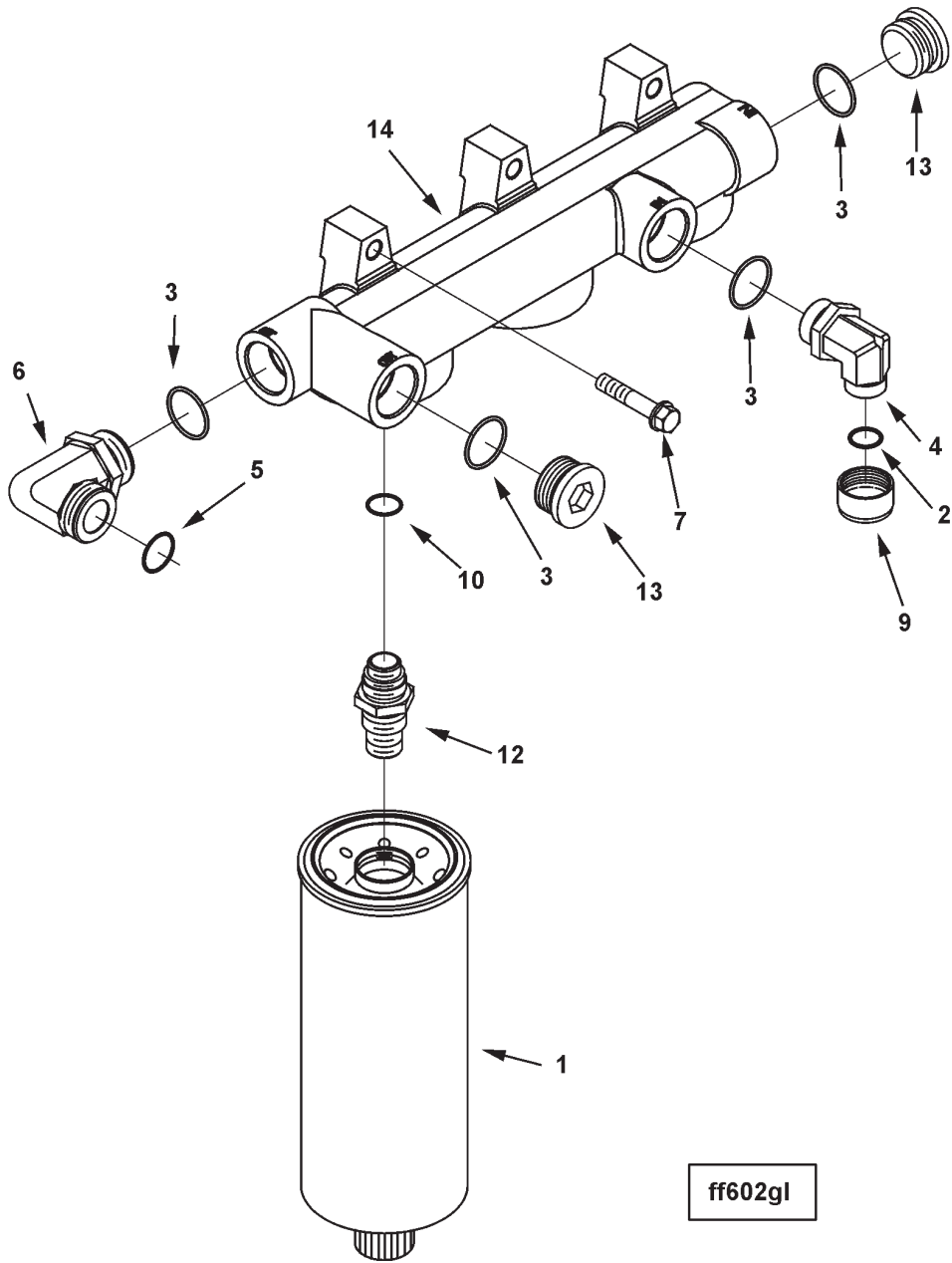


Ref No.	Part Number	Part Name	Req	Remarks
25	3411085	Bracket, Water Tube	1	
26	3628745	Washer, Plain	4	
27	3629516	Clip	1	
28	3635316	Spacer, Mounting	1	
29	3636278	Plate, Clamping	1	
30	3636285	Bracket, Idler Pulley	1	
31	3637075	Harness, Wiring	1	
	3638640	Pulley, Idler Assembly	1	
32	205168	Washer, Plain	1	1 1/2 Inch.
33	206506	Nut, Lock	1	
34	3048625	Seal, Oil	1	
35	3048626	Bearing, Roller	2	
36	3637487	Pulley, Idler	1	
37	3637488	Shaft, Fan Hub	1	
38	3637489	Spacer, Bearing	1	
39	4101292	Plug, Expansion	1	
	3678611	Plug, Threaded	1	
40	(3678605)	Plug, Threaded	1	
15	3678606	Seal, O Ring	1	
	3678921	Plug, Threaded	1	
24	3678912	Seal, O Ring	1	
41	(3678922)	Plug, Threaded	1	
42	3900589	Nut, Hexagon Flange	1	M8 X 1.25
43	3900630	Screw, Hex Flange Head Cap	1	M8 x 1.25 x 20
44	3902460	Screw, Hex Flange Head Cap	2	M10 x 1.50 x 25
45	3902662	Nut, Hexagon Flange	2	M10 x 1.50
	4000730	Union, Male	1	
21	3089392	Seal, O Ring	1	
46	3678603	Seal, O Ring	1	
47	(4000728)	Union, Male	1	
48	4001213	Hose, Flexible	1	
49	4001226	Screw, Hex Flange Head Cap	8	
50	4015784	Belt, V Ribbed	1	
51	4015817	Hose, Flexible	1	
52	4015819	Hose, Flexible	2	
	4016277	Union, Male	1	
53	3037537	Seal, O Ring	1	
21	3089392	Seal, O Ring	1	
54	(4016278)	Union, Male	1	
	4016279	Elbow, Male Union	2	
53	3037537	Seal, O Ring	1	
21	3089392	Seal, O Ring	1	
55	(4016280)	Elbow, Male Union	1	
	4017548	Clutch, Fan TLA	1	
56	3093805	Screw, Hex Flange Head Cap	8	M10 x 1.50 x 35.
57	(4016984)	Clutch, Fan	1	
58	(4016985)	Pulley, Fan Clutch	1	
59	4066810	Solenoid	1	
60	4080262	Hose, Flexible	1	
61	4086160	Bracket, Solenoid	1	
62	4101256	Spacer, Mounting	2	
63	4101288	Screw, Hex Flange Head Cap	1	
64	4917006	Bracket, Fan	1	



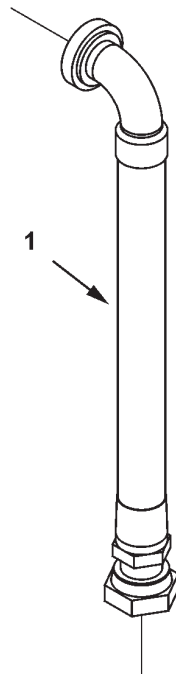
Ref No.	Part Number	Part Name	Req	Remarks
1	3680437	<p style="text-align: center;">MOUNTING,FAN DRIVE OPTION FA6730</p> <p>Screw, Hex Flange Head Cap</p>	2	<p>Fan drive mounting condition 1 fan clutch mounting provision: Rockford fan clutch Belt Tensioner Mounted: Yes alternator belt guard mounted: No condition 2 fan clutch mounting provision: None Belt Tensioner Mounted: Yes alternator belt guard mounted: Yes alternator manufacturing/ model: Delco Remy 33 SI450 condition 3 fan clutch mounting provision: Rockford fan clutch Belt Tensioner Mounted: Yes alternator belt guard mounted: Yes alternator manufacturing/ model: Prestolite/8 SC3009 z; Niehoff/c653 a-1; Prestolite/bdl3314.</p>

Ref No.	Part Number	Part Name	Req	Remarks
		<p align="center">CALIBRATION,FUEL PUMP OPTION FCBS79</p>		<p>Fuel pump calibration adv/rated power: 2500 BHP at 1900 RPM</p> <p>Peak torque: 7257 FT LB at 1500 RPM Governed Power: 2500 BHP At 1900 RPM CPL: 2848 Certified By: EPA ,CARB cal restr: None Power Rating: N/A Engine Control System: HPI Application: Nonroad cert level: Tier 2,tier 2 manufacturer of record: Komatsu special allowance: Tpem do option: Do 6631.</p>



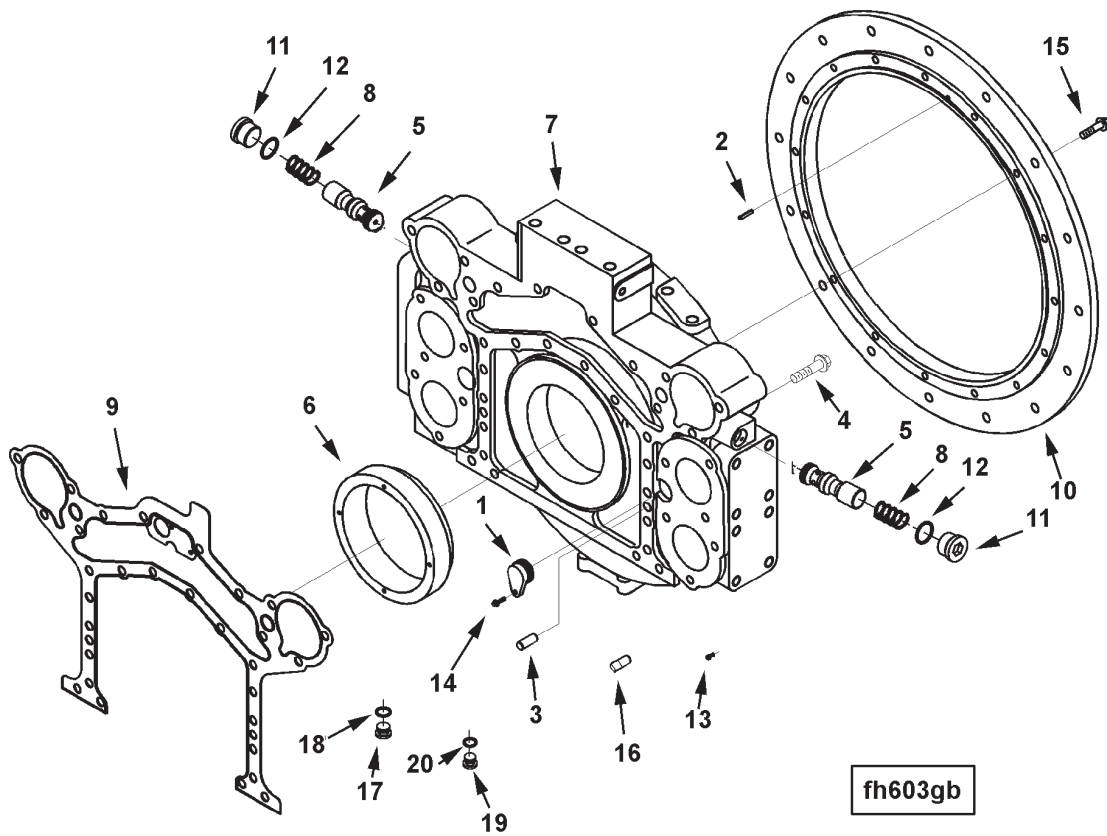
ff602gl

Ref No.	Part Number	Part Name	Req	Remarks
		FUEL FILTER OPTION FF6074		Fuel filter Element Type: Spin-On Number Of Elements: 3 with water separator: Yes mounting location: Left bank side of engine In the rear position absolute filtration measure in micron: 10 inlet fitting description: 1 7/16-12 un-16 orfs to SAE j1453 outlet fitting description: 1 11/16-12 un- 20 orfs to SAE j1453 fitting orientation: Down. Buy from Cummins Filtration
1	3089916	Separator, Fuel Water	3	
	3332349	Elbow, Male Union	1	
2	3075658	Seal, O Ring	1	
3	3089019	Seal, O Ring	1	
4	(3332350)	Elbow, Male Union	1	
	3410392	Elbow, Male Union	1	
3	3089019	Seal, O Ring	1	
5	3332160	Seal, O Ring	1	
6	(3410393)	Elbow, Male Union	1	
7	3905372	Screw, Hex Flange Head Cap	3	M12 x 1.75 x 60
9	4017295	Cover, Protective	1	
	3640341	Head, Fuel Filter	1	
10	4975427	Seal, O Ring	3	
12	3010635	Adapter, Filter Head	3	
	3089023	Plug, Threaded	2	
3	3089019	Seal, O Ring	1	
13	(3089021)	Plug, Threaded	1	M42 x 2
14	4916702	Head, Fuel Filter	1	

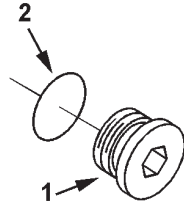


ff602gr

Ref No.	Part Number	Part Name	Req	Remarks
1	3639985	<p style="text-align: center;">FUEL FILTER PLUMBING OPTION FF6765</p> <p>Hose, Flexible</p>	1	<p>Plumbing, fuel filter for application with: A) no compressor b) twin cylinder compressor c) single cylinder compressor with fuel filter head in forward position.</p>

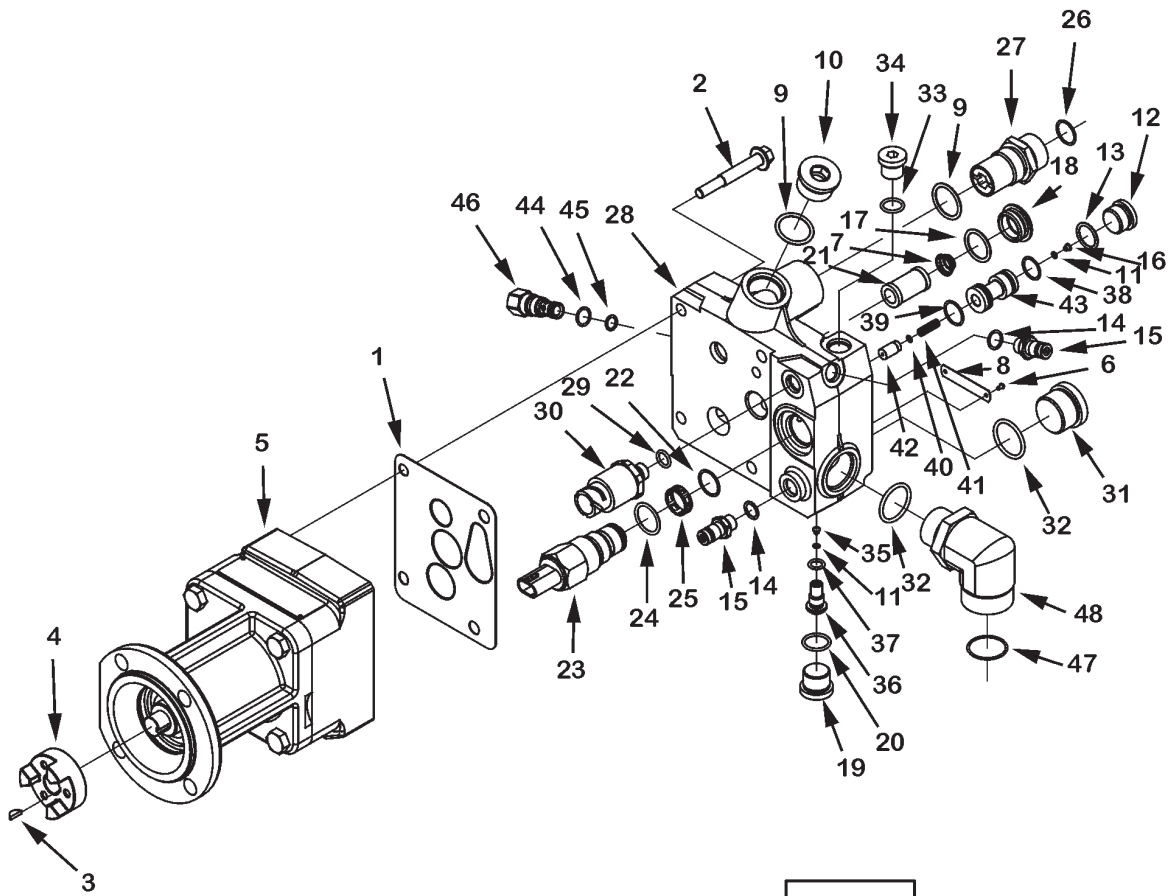


Ref No.	Part Number	Part Name	Req	Remarks
		FLYWHEEL HOUSING OPTION FH6044		Flywheel housing SAE size: 0 Clutch Type Provision: Dry Material: SG Iron Starter Center Distance: 345.52mm Starter spacer capability:no Wrench Clearance hole provision: No
1	3010410	Cover, Access Hole	2	
2	3033629	Pin, Roll	2	
3	3089327	Dowel, Pin	1	
4	3089328	Screw, Hex Flange Head Cap	30	
5	3089330	Plunger, Prs Regulator	2	
6	4100625	Seal, Oil	1	
7	4001506	Housing, Flywheel	1	
8	3331976	Spring, Compression	2	
9	4006223	Gasket, Flywheel Housing	1	
10	4001206	Adapter, Transmission	1	
	3678838	Plug, Threaded	2	
11	(3678845)	Plug, Threaded	1	
12	3678846	Seal, O Ring	1	
13	3900626	Screw, Hex Flange Head Cap	6	M6 X 1.00 X 12.
14	3901865	Screw, Hex Flange Head Cap	2	M6 X 1.00 X 20.
15	3902116	Screw, Hex Flange Head Cap	16	M12 X 1.75 X 50.
16	4080164	Dowel, Diamond	1	
	3089238	Plug, Threaded	3	M22 x 1.50
17	(3089239)	Plug, Threaded	1	M22 x 1.50
18	3089240	Seal, O Ring	1	
	3678921	Plug, Threaded	4	
19	(3678922)	Plug, Threaded	1	
20	3678912	Seal, O Ring	1	



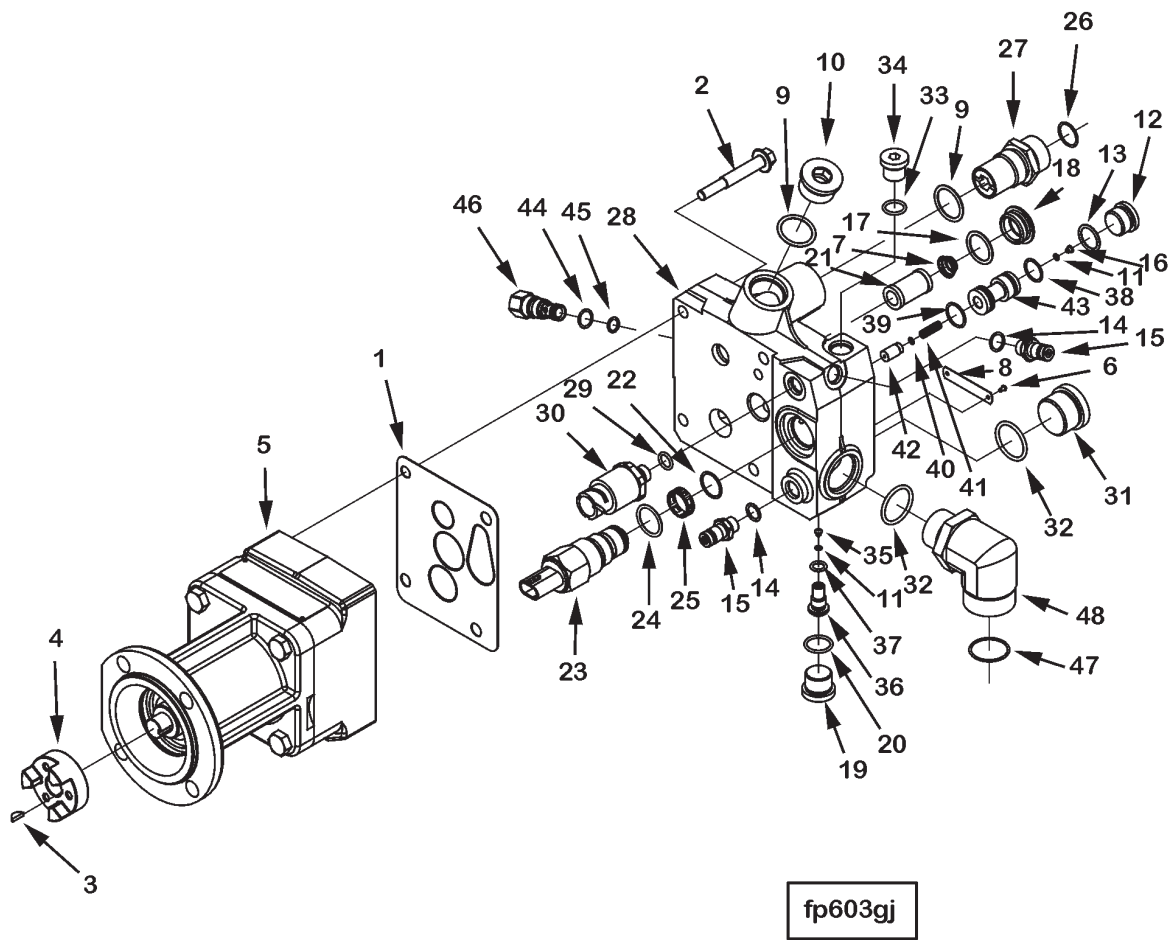
fh603ga

Ref No.	Part Number	Part Name	Req	Remarks
FLYWHEEL HOUSING PLUMBING				
OPTION FH6702				
1	3089238 (3089239)	Plug, Threaded	1	Flywheel housing plumbing mag pickup included: No threaded plugs: Four. M22 x 1.50
2	3089240	Plug, Threaded Seal, O Ring	1 1	M22 x 1.50

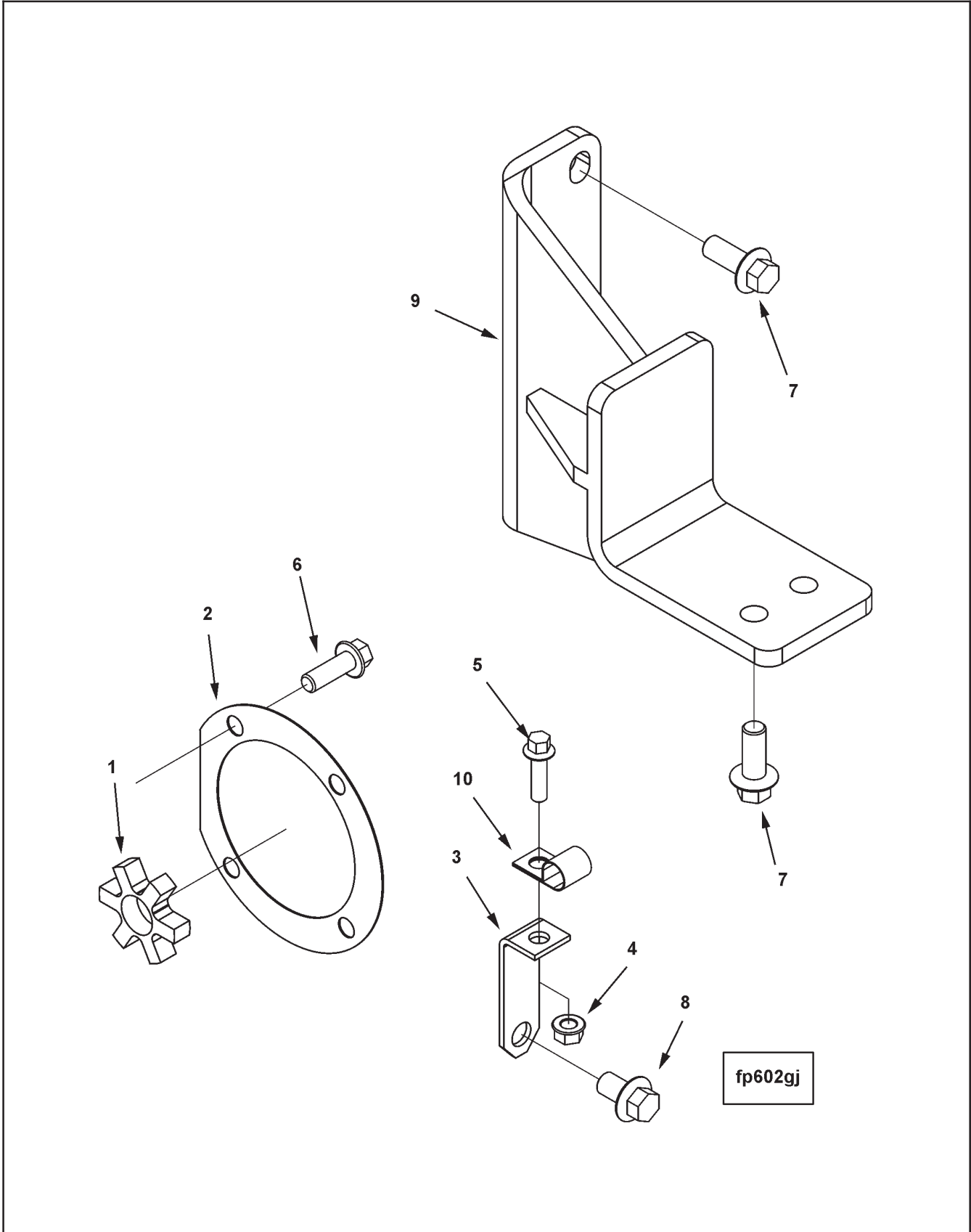


fp603gj

Ref No.	Part Number	Part Name	Req	Remarks
		PUMP,FUEL OPTION FP6864		Fuel pump manufacturer/model: lmo (21mm imo gears) Governor Type: Electronic magnetic pick up included: No Check Valves: Yes direction of rotation gear pump: RH outlet orientation: Straight Application: Qsk60-G All Ratings qsk60-c all ratings qsk60-marine all ratings.
	4088186	Pump, Fuel	1	
1	3348583	Gasket, Prs Rgl Valve	1	
2	3904446	Screw, Hex Flange Head Cap	4	M10 x 1.50 x 70
	(4062159)	Pump, Gear Fuel	1	
3	S 306	Key, Plain Woodruff	1	
4	4061677	Hub, Jaw Coupling	1	
5	(4903527)	Pump, Fuel	1	
	(4088182)	Valve, Pressure Regulator	1	
6	S 2286	Screw, Drive	2	
7	70700	Spring, Compression	1	
8	105375	Nameplate	1	
	3040818	Plug, Threaded	1	1 3/16 - 12 un.
9	3035228	Seal, O Ring	1	
10	(3040819)	Plug, Threaded	1	
11	173086	Gasket, Injector	1	
	3040815	Plug, Threaded	1	7/18 - 14 UNF.
12	(3040816)	Plug, Threaded	1	
13	3040817	Seal, O Ring	1	
	3040818	Plug, Threaded	1	1 3/16 - 12 un.
9	3035228	Seal, O Ring	1	
10	(3040819)	Plug, Threaded	1	
	3042619	Nipple, Coupling	2	
14	3037537	Seal, O Ring	2	
15	3042620	Nipple, Coupling	2	
16	3045045	Plug, Injector Orifice	1	
17	3046943	Seal, O Ring	1	
18	3080223	Cap, Fuel Pump Filter	1	
	3089238	Plug, Threaded	1	
19	(3089239)	Plug, Threaded	1	
20	3089240	Seal, O Ring	1	
21	3090769	Screen, Filter	1	
	3330600	Actuator, Etr Fuel Control	1	
22	3042542	Seal, O Ring	1	
23	(3331029)	Actuator, Etr Fuel Control	1	
24	3865398	Seal, O Ring	1	
25	3867393	Screen, Filter	1	
	3348444	Valve, Check	1	
9	3035228	Seal, O Ring	1	
26	3328589	Seal, O Ring	1	
27	(4001945)	Valve, Check	1	
28	3348458	Body, Prs Regulator Valve	1	
	3408566	Sensor, Pressure	1	Fuel pump.
29	3330202	Seal, O Ring	1	
30	(3408567)	Sensor, Pressure	1	
	3408566	Sensor, Pressure	1	Fuel pump.
29	3330202	Seal, O Ring	1	
30	(3408567)	Sensor, Pressure	1	
	3678838	Plug, Threaded	1	
31	(3678845)	Plug, Threaded	1	
32	3678846	Seal, O Ring	1	

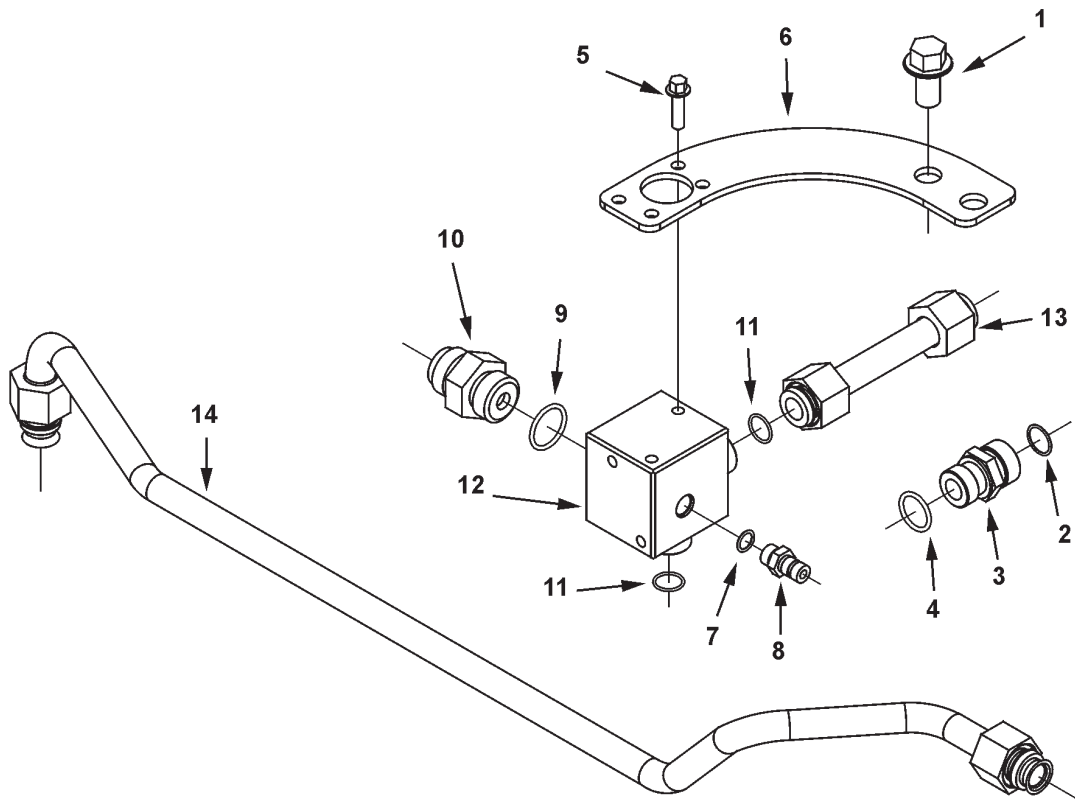


Ref No.	Part Number	Part Name	Req	Remarks
	3678873	Plug, Threaded	3	
33	3678786	Seal, O Ring	3	
34	(3678791)	Plug, Threaded	3	
	3867737	Valve, Pressure Relief	1	
11	173086	Gasket, Injector	1	
35	3045012	Plug, Injector Orifice	1	
36	(3329676)	Valve, Pressure Relief	1	
37	3417238	Seal, O Ring	1	
	4001756	Valve, Pressure Regulator	1	
38	3045986	Seal, O Ring	1	
39	3066914	Seal, O Ring	1	
40	3071719	Shim	1	
41	(3867668)	Spring, Compression	1	
42	(4001751)	Plunger, Ful Prs Regulator	1	
43	(4001757)	Barrel, Control Valve	1	
	4002080	Valve, Pressure Regulator	1	
44	3348703	Seal, O Ring	1	
45	3867640	Seal, O Ring	1	
46	(4002081)	Valve, Pressure Regulator	1	
	4007074	Elbow, Male Union	1	
47	3332160	Seal, O Ring	1	
32	3678846	Seal, O Ring	1	
48	(4007073)	Elbow, Male Union	1	



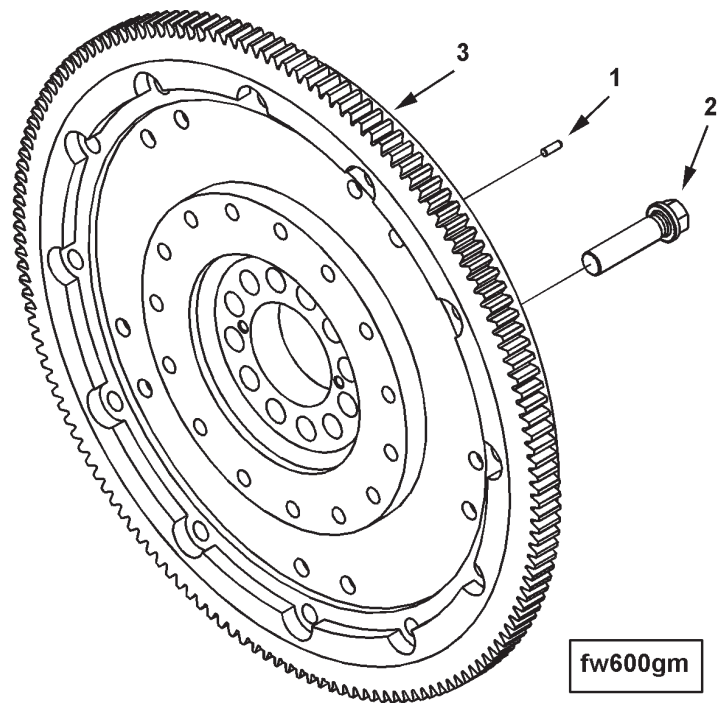
Ref No.	Part Number	Part Name	Req	Remarks
FUEL PUMP COUPLING				
OPTION FP6869				
				Fuel pump coupling imo fuel pump support brackets and drive coupling hardware. Air compressor: No
				For use with phase 2 harness.
1	3046200	Spider, Jaw Coupling	1	
2	3331821	Gasket, Fuel Pump	1	
3	3628554	Brace, Tube	1	
4	3900589	Nut, Hexagon Flange	1	M8 X 1.25.
5	3900630	Screw, Hex Flange Head Cap	1	M8 X 1.25 X 20.
6	3903112	Screw, Hex Flange Head Cap	4	M10 x 1.50 x 30.
7	3910495	Screw, Hex Flange Head Cap	4	M12 X 1.75 X 30.
8	3913372	Screw, Hex Flange Head Cap	1	M12 X 1.75 X 20.
9	4000898	Bracket, Pump	1	
10	4100552	Clip	1	

Ref No.	Part Number	Part Name	Req	Remarks
		<p style="text-align: center;">RATING,FUEL OPTION FR6329</p>		<p>Advertised Power: N/A rated horsepower: 2500 BHP at 1900 RPM maximum power: N/A</p> <p>Peak torque: 7257 FT LB at 1500 RPM Governed Power: N/A Governed Torque: N/A High Idle: N/A Low Idle: N/A rated speed: 1900 RPM Engine Control System: HPI CPL: 2848,2849 Certified By: None Application: Nonroad Certification Level: None special allowance: Tpem.</p>

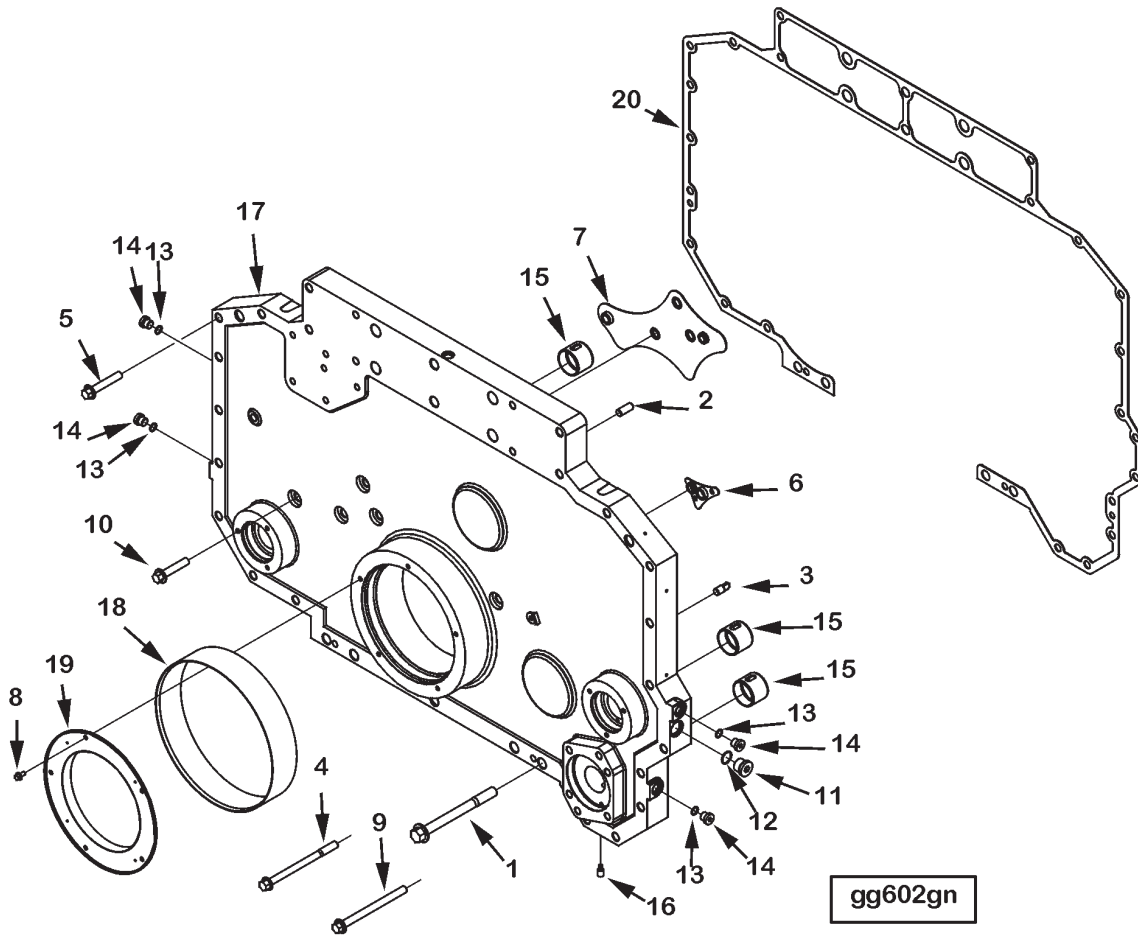


ft608gt

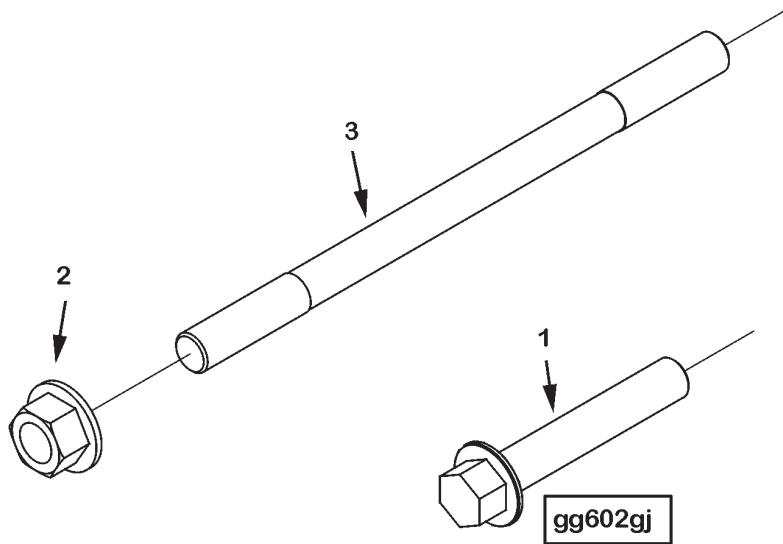
Ref No.	Part Number	Part Name	Req	Remarks
		PLUMBING,FUEL		
		OPTION FT60784		
1	3089324	Screw, Hex Flange Head Cap	2	
	3171722	Union, Male	2	
2	3085709	Seal, O Ring	1	
3	3171723	Union, Male	1	
4	3678606	Seal, O Ring	1	
5	3900630	Screw, Hex Flange Head Cap	2	M8 X 1.25 X 20.
6	3641308	Brace, Tube	1	
	4001157	Valve, Check	1	
	3042619	Nipple, Coupling	1	
7	3037537	Seal, O Ring	1	
8	3042620	Nipple, Coupling	1	
	4000877	Valve, Check	1	
9	3678846	Seal, O Ring	1	
10	4000878	Valve, Check	1	
	4085926	Tee, Tube Connector	1	
11	3328589	Seal, O Ring	2	
12	4080556	Connector, Tube	1	
13	4001224	Tube, Fuel Drain	1	
14	4917020	Tube, Fuel Drain	1	



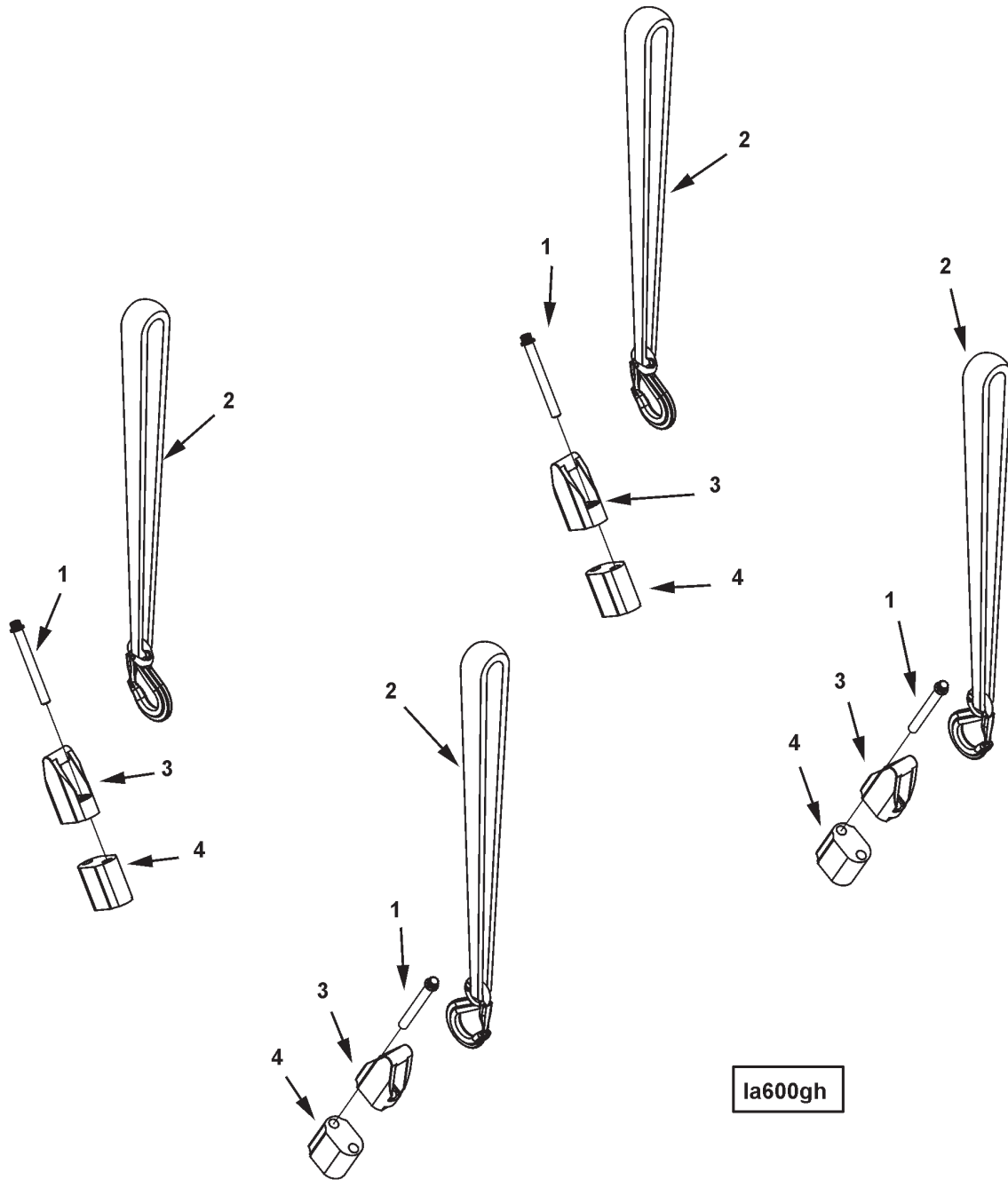
Ref No.	Part Number	Part Name	Req	Remarks
		FLEXPLATE OPTION FW6040		Flexplate Customer Supplied: No Pilot bore outside diameter 479.4mm. Intended Housing: SAE 0 Starter Center Distance: 341.305mm. Diametrical pitch of ring gear: 630.83mm. Ring gear tooth count:149 Speed limitaion: 3500 RPM
1	131584	Pin, Roll	1	
2	3089127	Screw, Hex Flange Head Cap	12	
3	3171332	Flexplate	1	



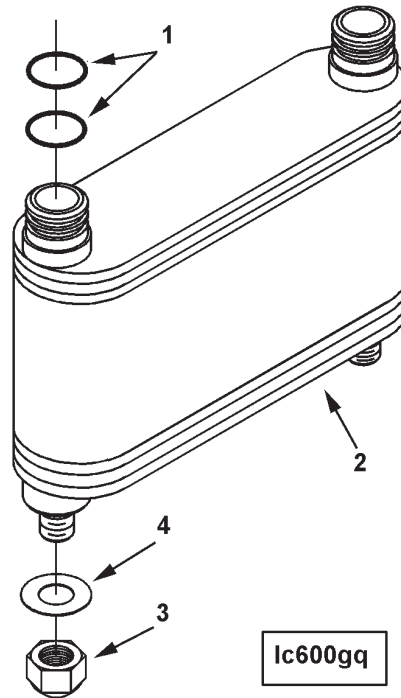
Ref No.	Part Number	Part Name	Req	Remarks
		COVER,FRONT GEAR OPTION GG6815		Front gear cover Engine Family: Qsk45/60 front engine support mounting provision: Trunnion trunnion pilot diameter (mm): 270 (10.6in) alternator bracket mounting provision: 2 bolt pattern, 4 bolt pattern, customer supplier refrigerant compressor mounting provision: Yes.
1	3089296	Screw, Hex Flange Head Cap	6	
2	3089378	Dowel, Pin	1	
3	3089379	Dowel, Diamond	1	
4	3089592	Screw, Hex Flange Head Cap	1	
5	3278480	Screw, Hex Flange Head Cap	11	M12 X 1.75 X 70.
6	3331969	Gasket, Spacer	1	
7	3331970	Gasket, Spacer	1	
8	3900626	Screw, Hex Flange Head Cap	5	M6 X 1.00 X 12.
9	3903105	Screw, Hex Flange Head Cap	2	M12 X 1.75 X 150.
10	3905372	Screw, Hex Flange Head Cap	1	M12 X 1.75 X 60.
	4066254	Cover, Gear	1	
	3089238	Plug, Threaded	1	
11	(3089239)	Plug, Threaded	1	
12	3089240	Seal, O Ring	1	
	3678921	Plug, Threaded	4	
13	3678912	Seal, O Ring	1	M14 x 1.50
14	(3678922)	Plug, Threaded	1	
	(4101324)	Cover, Gear	1	
15	3089454	Bushing	3	
16	3640776	Seal, Tamper Proof	3	
17	(4016504)	Cover, Gear	1	
18	4101322	Bushing	1	
19	4100624	Seal, Oil	1	
20	4100983	Gasket, Gear Cover	1	



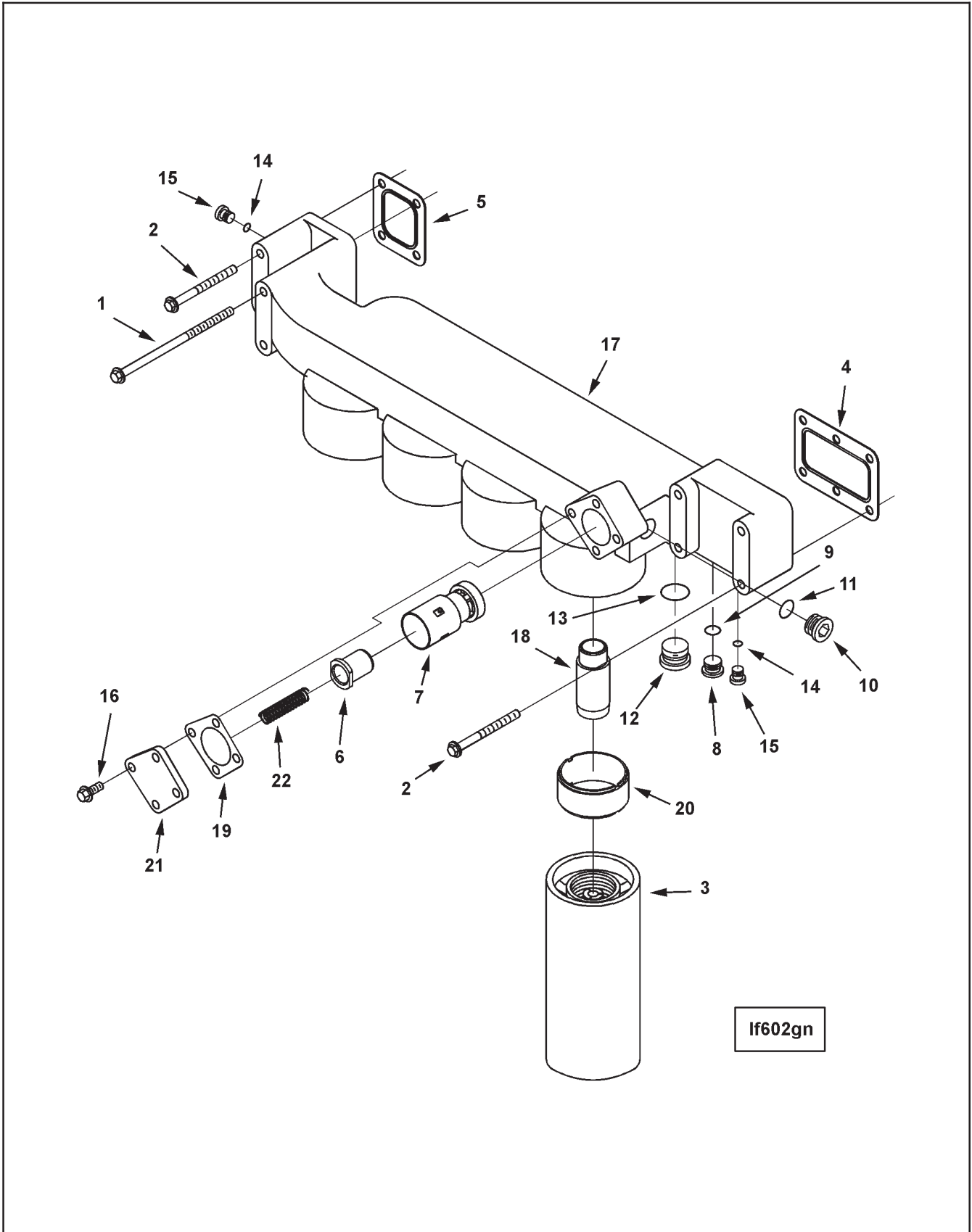
Ref No.	Part Number	Part Name	Req	Remarks
MOUNTING, GEAR COVER OPTION GG6827				
1	3278480	Screw, Hex Flange Head Cap	1	Gear cover mounting Engine Family: Qsk45/60 Reference comp bracket mounting provision: Yes alternator bracket mounting provision: 4 bolt pattern fan idler bracket mounting provision: Yes fan centers (mm): 700 (27.61 in), 550 (21.65in) shock absorber provision: No. M12 X 1.75 X 70. M12 X 1.75.
2	3903210	Nut, Hexagon Flange	2	
3	4017427	Stud	2	



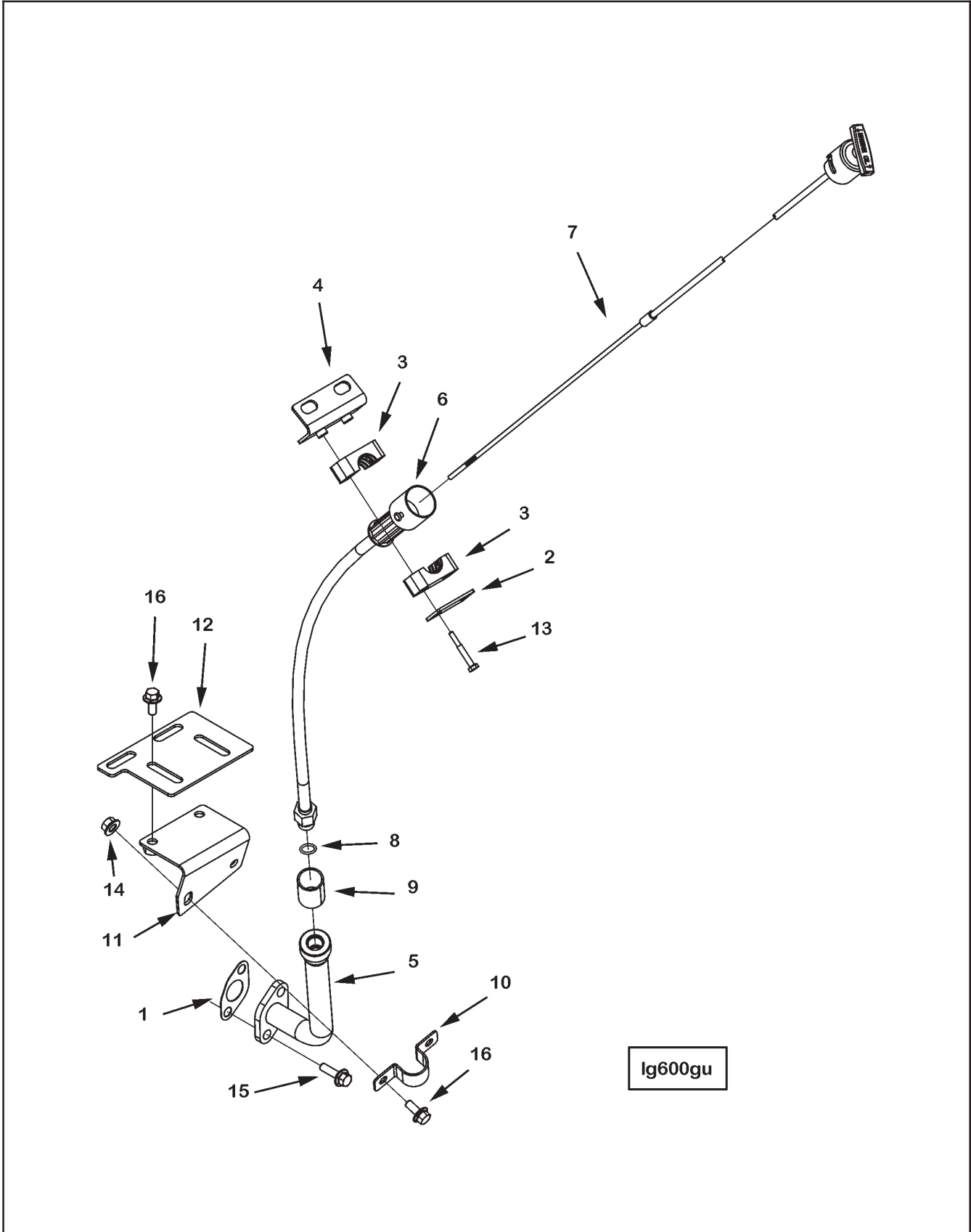
Ref No.	Part Number	Part Name	Req	Remarks
		BRACKET,LIFTING OPTION LA6706		Lifting bracket no of lifting brackets: 4 for qsk60: Front bracket location: RB between cylinder 2 and 3 LB between cylinder 1 and 2 rear bracket location: RB between cylinder 7 and 8 LB between cylinder 6 and 7 for qsk45: Front bracket location: RB between cylinder 1 and 2 LB between cylinder 1 and 2 rear bracket location: RB between cylinder 5 and 6 LB between cylinder 5 and 6.
1	3089194	Screw, Twelve Point Cap	8	
2	3411202	Cable	4	
3	3411232	Bracket, Lifting	4	
4	4016700	Spacer, Mounting	4	



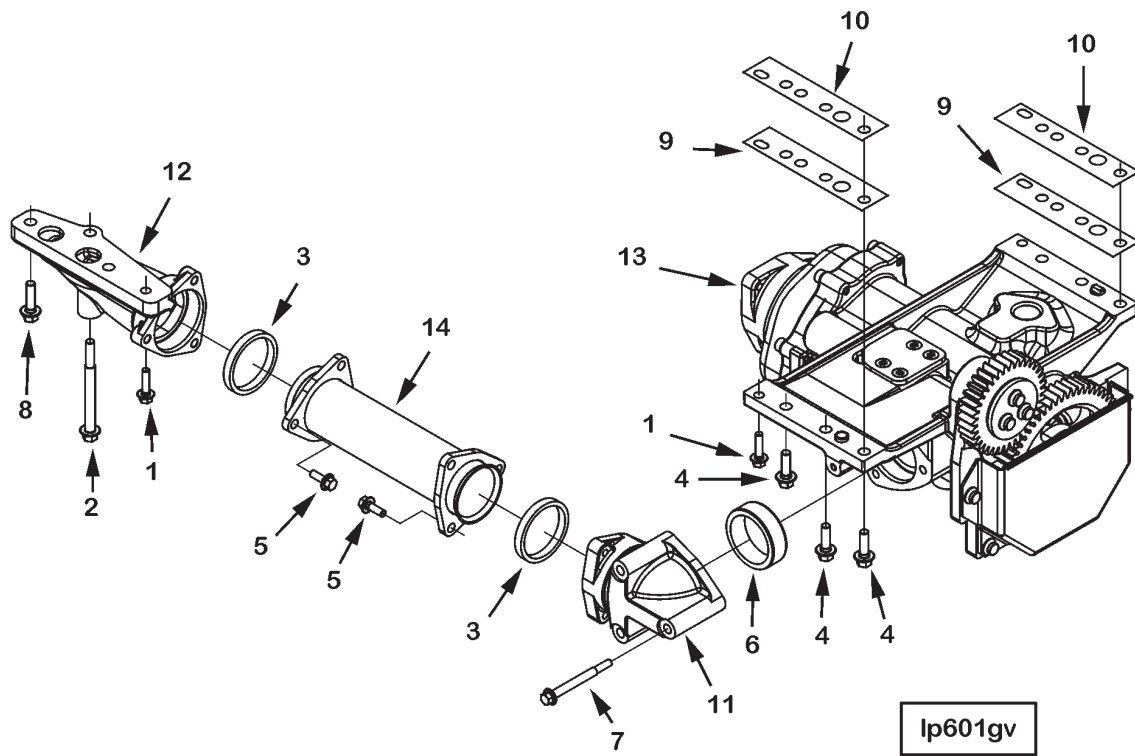
Ref No.	Part Number	Part Name	Req	Remarks
		ENGINE OIL COOLER OPTION LC6702		Engine oil cooler
1	212161	Seal, O Ring	16	
2	4101011	Core, Cooler	4	
3	3089271	Nut, Lock	8	
4	3630969	Gasket, Lub Oil Clr Cover	8	



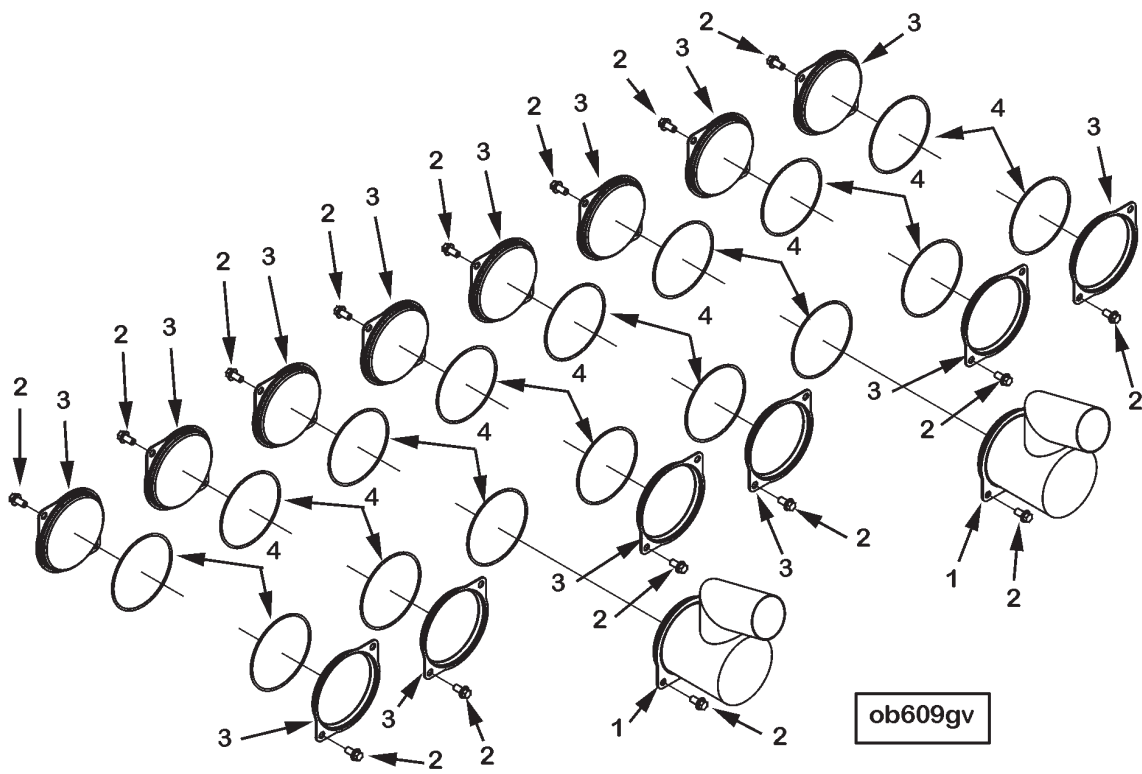
Ref No.	Part Number	Part Name	Req	Remarks
		FULL FLOW OIL FILTER OPTION LF6068		Combination full flow/bypass oil filter Element Type: Venturi Combo LF9024 No. of elements: 4 mounting location: RB bypass provision: Yes One piece filter head For use on q60 industrial and generator drive engines.
1	4001378	Screw, Hex Flange Head Cap	2	
2	3922863	Screw, Hex Flange Head Cap	6	M10 x 1.50 x 110.
3	4920071	Filter, Lubricating Oil	4	
4	4066135	Gasket, Filter Head	1	
5	4066136	Gasket, Filter Head	1	
	4100476	Head, Lub Oil Filter	1	
6	3021618	Plunger, Prs Regulator	1	
7	3028552	Body, Bypass Valve	1	
	3089238	Plug, Threaded	1	
8	(3089239)	Plug, Threaded	1	
9	3089240	Seal, O Ring	1	
	3678611	Plug, Threaded	1	
10	(3678605)	Plug, Threaded	1	
11	3678606	Seal, O Ring	1	
	3678838	Plug, Threaded	1	
12	(3678845)	Plug, Threaded	1	
13	3678846	Seal, O Ring	1	
	3678921	Plug, Threaded	6	
14	3678912	Seal, O Ring	1	
15	(3678922)	Plug, Threaded	1	
16	3902460	Screw, Hex Flange Head Cap	4	M10 x 1.50 x 25
17	3639810	Head, Lub Oil Filter	1	
18	4066190	Adapter, Filter Head	4	
19	4100474	Gasket, Cover Plate	1	
20	4066192	Adapter, Filter Head	4	
21	4066194	Plate, Cover	1	
22	4066195	Spring, Compression	1	



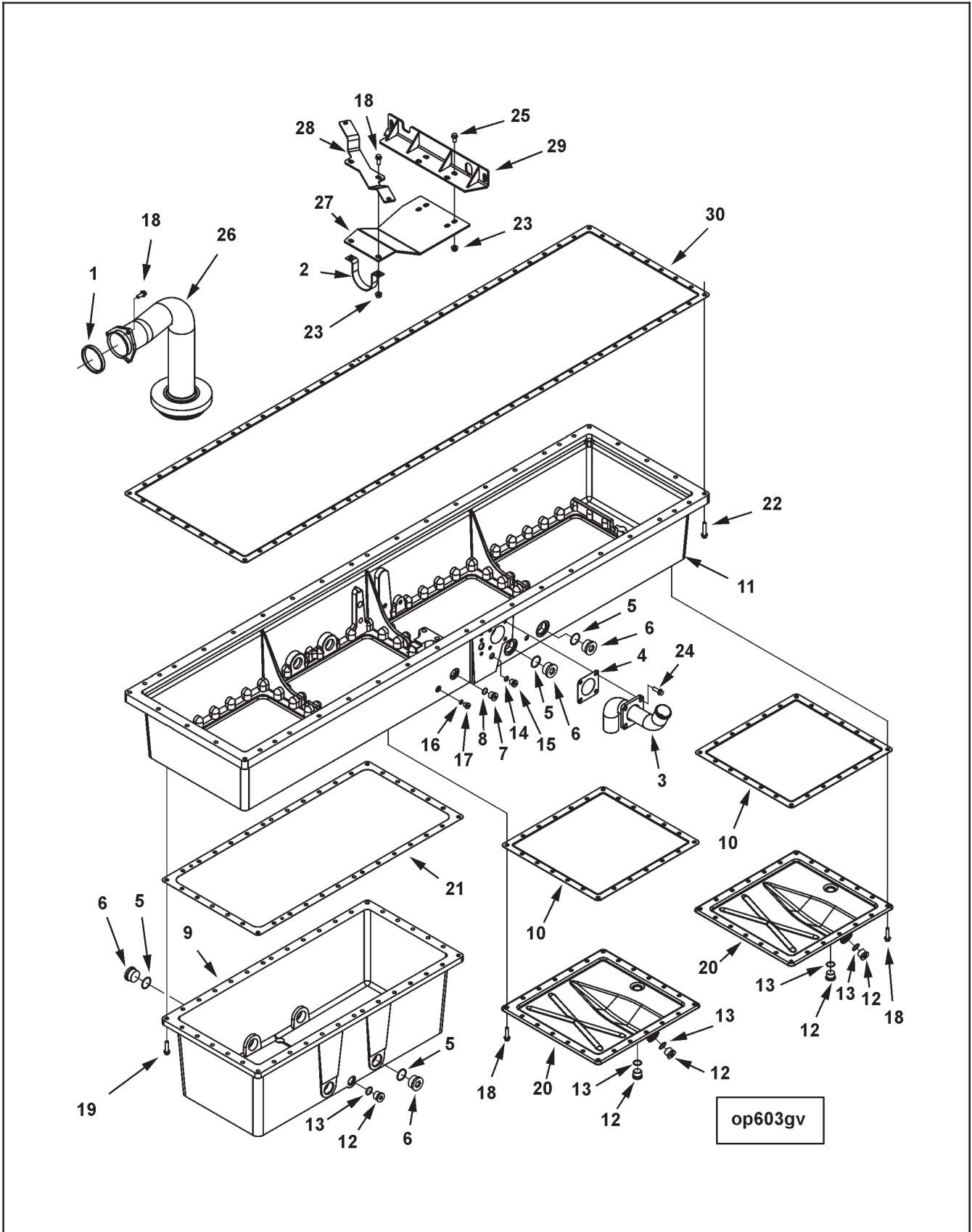
Ref No.	Part Number	Part Name	Req	Remarks
LOCATION,OIL LEVEL GAUGE				
OPTION LG6060				
1	3636373	Gasket, Connection	1	
2	3636623	Plate, Cover	1	
3	3636624	Clamp, Retaining	2	
4	3640698	Bracket, Oil Tube	1	
5	3636980	Tube, Oil Gauge	1	
6	3636983	Tube, Oil Gauge	1	
7	3636984	Dipstick	1	
8	3678786	Seal, O Ring	1	
9	3637745	Sleeve, Wear	1	
10	3637746	Clamp, Tube	1	
11	3637963	Bracket, Oil Tube	1	
12	3637965	Bracket, Oil Tube	1	
13	3892411	Screw, Hexagon Head Cap	2	
14	3902662	Nut, Hexagon Flange	1	M10 X 1.50.
15	3903112	Screw, Hex Flange Head Cap	2	M10 x 1.50 x 30.
16	3903990	Screw, Hex Flange Head Cap	4	M10 X 1.50 X 20.



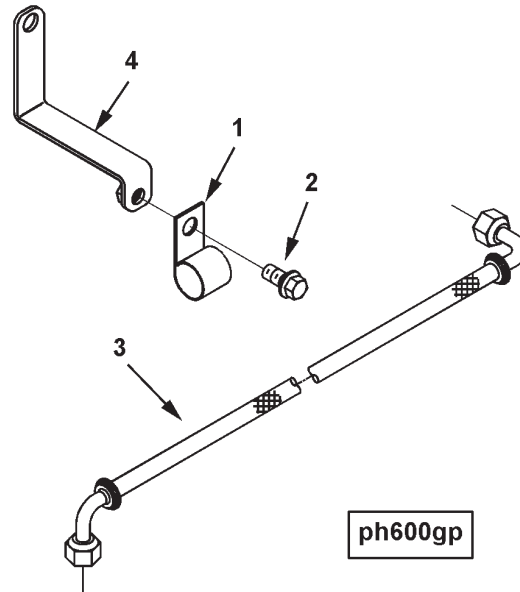
Ref No.	Part Number	Part Name	Req	Remarks
		LUBE OIL PUMP OPTION LP6704		Pump, lubricating oil To be used on quantum QSK60 engine.
1	3089016	Screw, Hex Flange Head Cap	3	
2	3089234	Screw, Hex Flange Head Cap	1	
3	3089886	Seal, Rectangular Ring	2	
4	3900637	Screw, Hex Flange Head Cap	6	M12 X 1.75 X 35.
5	3902460	Screw, Hex Flange Head Cap	6	M10 X 1.50 X 25.
6	4916879	Sleeve	1	
7	3914407	Screw, Hex Flange Head Cap	3	M10 X 1.50 X 100
8	3920447	Screw, Hex Flange Head Cap	2	M12 X 1.75 X 40.
9	4016660	Shim	2	
10	4016661	Shim	2	
11	3636362	Connection, Oil Transfer	1	
12	4916874	Connection, Oil Transfer	1	
13	(3642281)	Pump, Lubricating Oil	1	ref SPT06t7-13
14	4916878	Tube, Lub Oil Transfer	1	



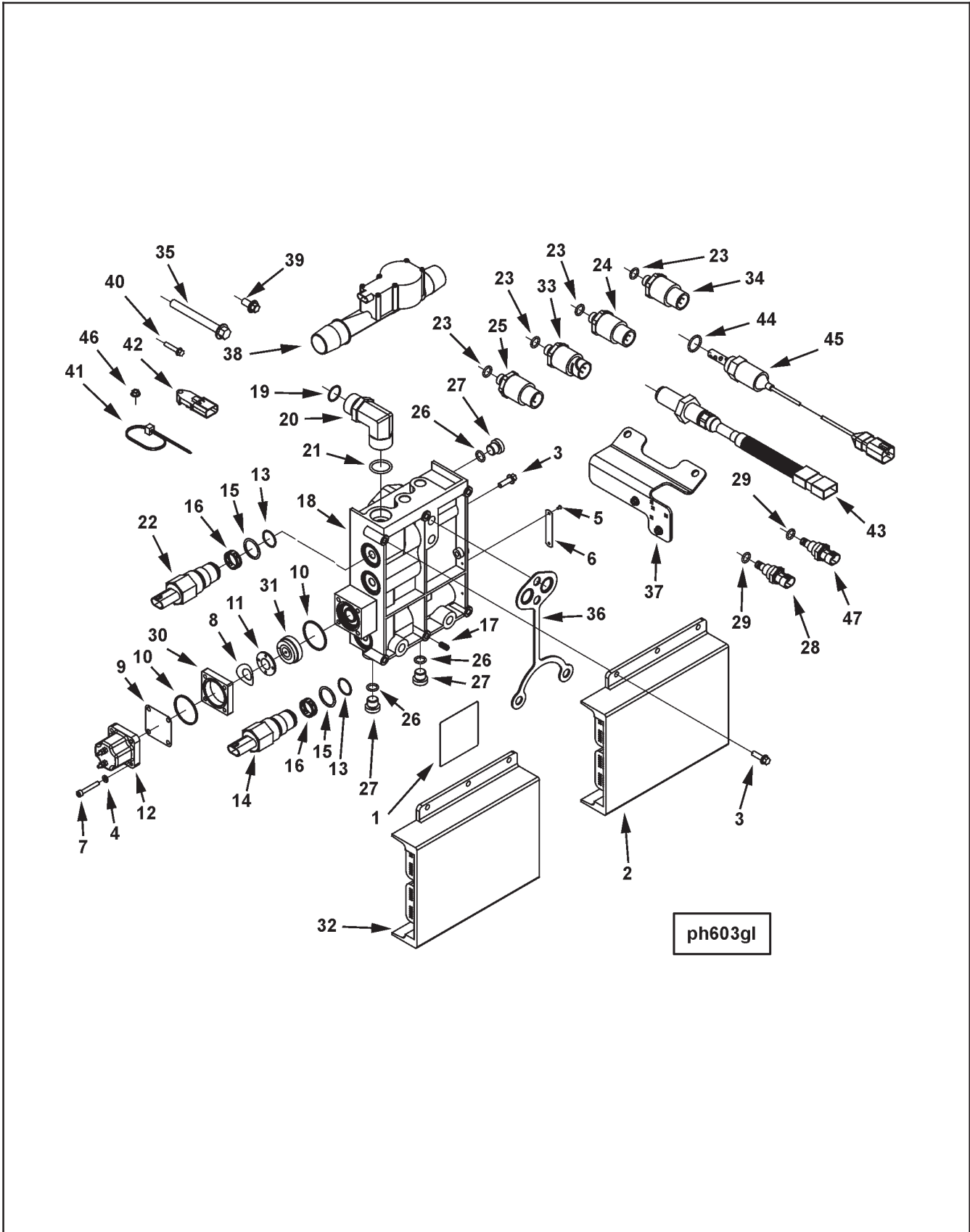
Ref No.	Part Number	Part Name	Req	Remarks
		COVER,HAND HOLE OPTION OB67102		
1	3636239	Cover, Hand Hole	2	
2	3903990	Screw, Hex Flange Head Cap	30	M10 X 1.50 X 20.
3	4086695	Cover, Hand Hole	14	
4	4100660	Seal, O Ring	16	



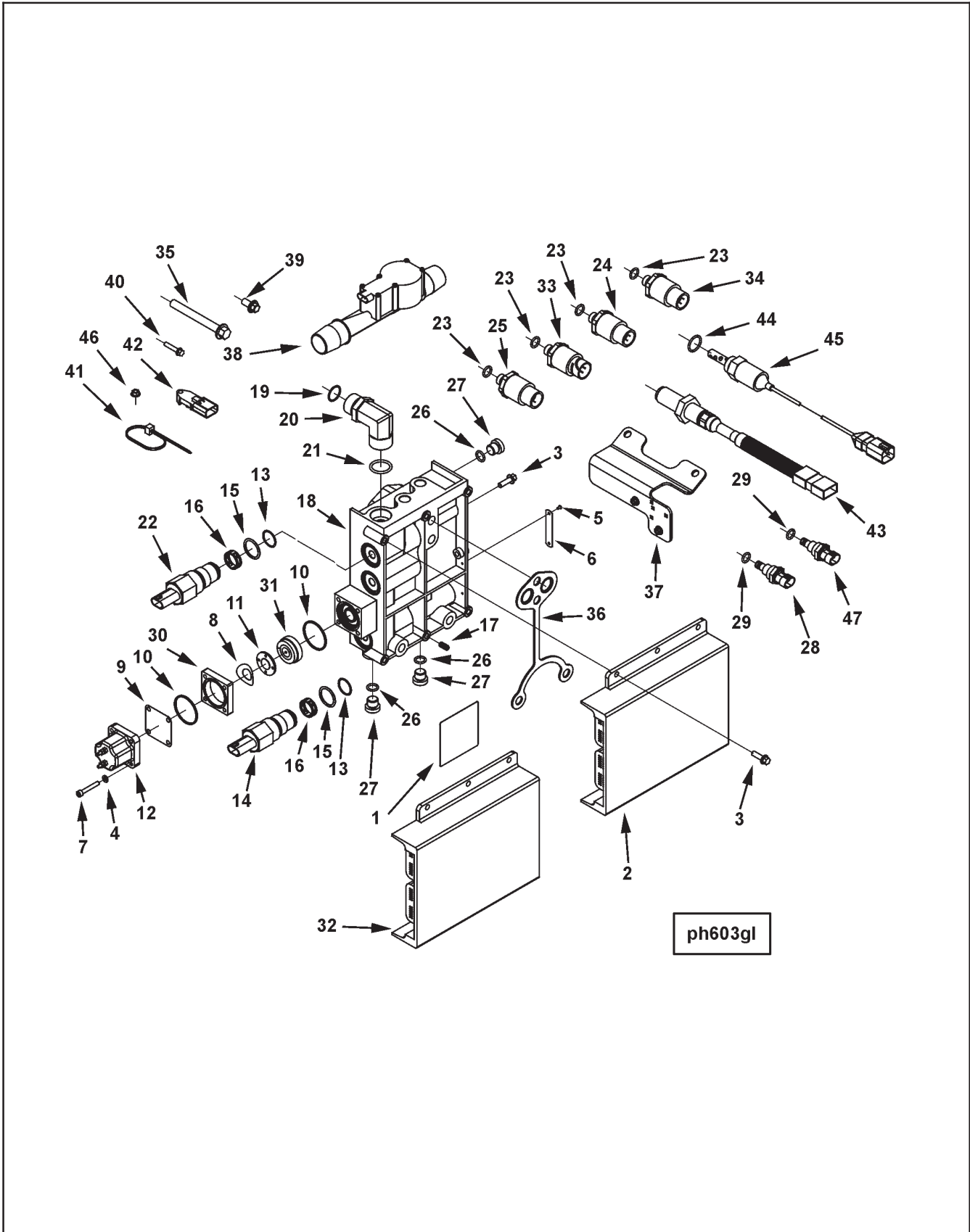
Ref No.	Part Number	Part Name	Req	Remarks
		PAN,OIL OPTION OP6089		Sump location: #2 and #3 Cylinders. Sump profile: Double deep Material: Aluminum Construction: Cast High oil capacity (L): 261 (Gal) Low oil capacity (L): 231 (61 Gal) Angularity limits: 20 degrees Drain location: Right bank accessible ports/sizes 6 off M27x2 oil drain ports (2 in oil pan and 4 in oil pan covers) 4 off M42 x 2 ports in oil pan adapter. 1 off M22 x 1.5 ports in oil pan adapter.
1	3089891	Seal, Rectangular Ring	1	
2	3171711	Clamp, Tube	2	
3	3636232	Tube, Lub Oil Drain	1	
4	3635395	Gasket, Wtr Trf Connection	1	
	(3640545)	Adapter, Oil Pan TLA	1	
	3089023	Plug, Threaded	8	
5	3089019	Seal, O Ring	1	
6	(3089021)	Plug, Threaded	1	
	3089238	Plug, Threaded	4	
7	(3089239)	Plug, Threaded	1	
8	3089240	Seal, O Ring	1	
9	3171565	Pan, Oil	1	
10	3332085	Gasket, Oil Pan Cover	2	
11	3636014	Adapter, Oil Pan	1	
	3678611	Plug, Threaded	6	
12	(3678605)	Plug, Threaded	1	
13	3678606	Seal, O Ring	1	
	3678873	Plug, Threaded	2	
14	3678786	Seal, O Ring	1	
15	(3678791)	Plug, Threaded	1	
	3678921	Plug, Threaded	6	
16	3678912	Seal, O Ring	1	
17	(3678922)	Plug, Threaded	1	
18	3902460	Screw, Hex Flange Head Cap	57	M10 x 1.50 x 25
19	3903464	Screw, Hex Flange Head Cap	35	M10 x 1.50 x 40
20	4080151	Cover, Oil Pan	2	
21	4101379	Gasket, Oil Pan	1	
22	3900634	Screw, Hex Flange Head Cap	52	M10 x 1.50 x 50
23	3902662	Nut, Hexagon Flange	8	M10 X 1.50
24	3903112	Screw, Hex Flange Head Cap	4	M10 x 1.50 x 30
25	3903990	Screw, Hex Flange Head Cap	4	M10 x 1.50 x 20
26	4015803	Tube, Lub Oil Supply	1	
27	4017188	Bracket, Oil Tube	1	
28	4065718	Bracket, Oil Tube	1	
29	4086650	Bracket, Oil Tube	1	
30	3332084	Gasket, Oil Pan Adapter	1	



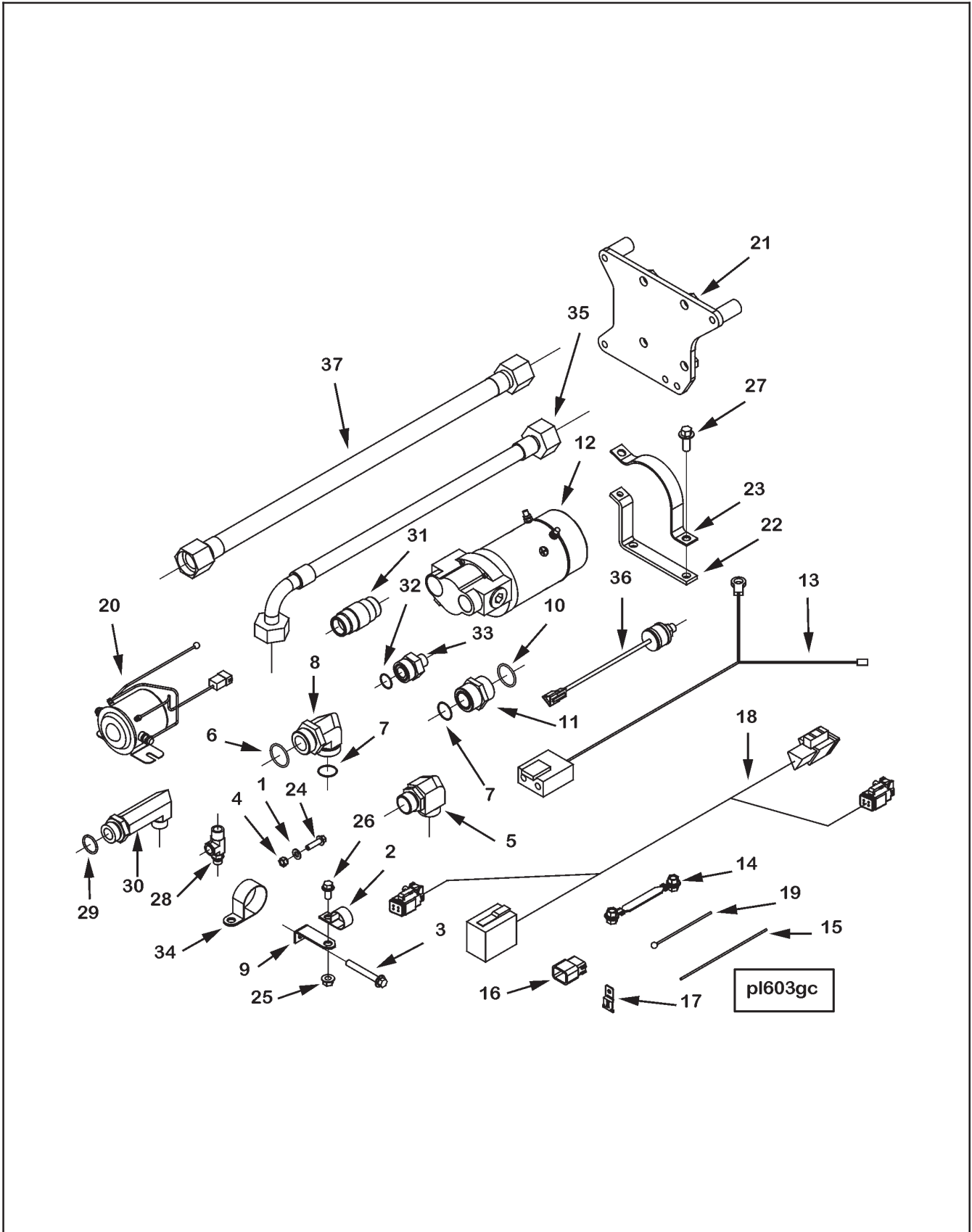
Ref No.	Part Number	Part Name	Req	Remarks
ENGINE CONTROL MODULE PLUM OPTION PH6722				
				Plumbing, eng cnt module Engine mode: QSK60 Air Compressor: No Bracket mounts on rearmost fuel filter head lug facing forwards.
1	107460	Clip	1	
2	3903990	Screw, Hex Flange Head Cap	1	M10 X 1.50 X 20.
3	4065606	Hose, Flexible	1	
4	4065229	Bracket, Fuel Plumbing	1	



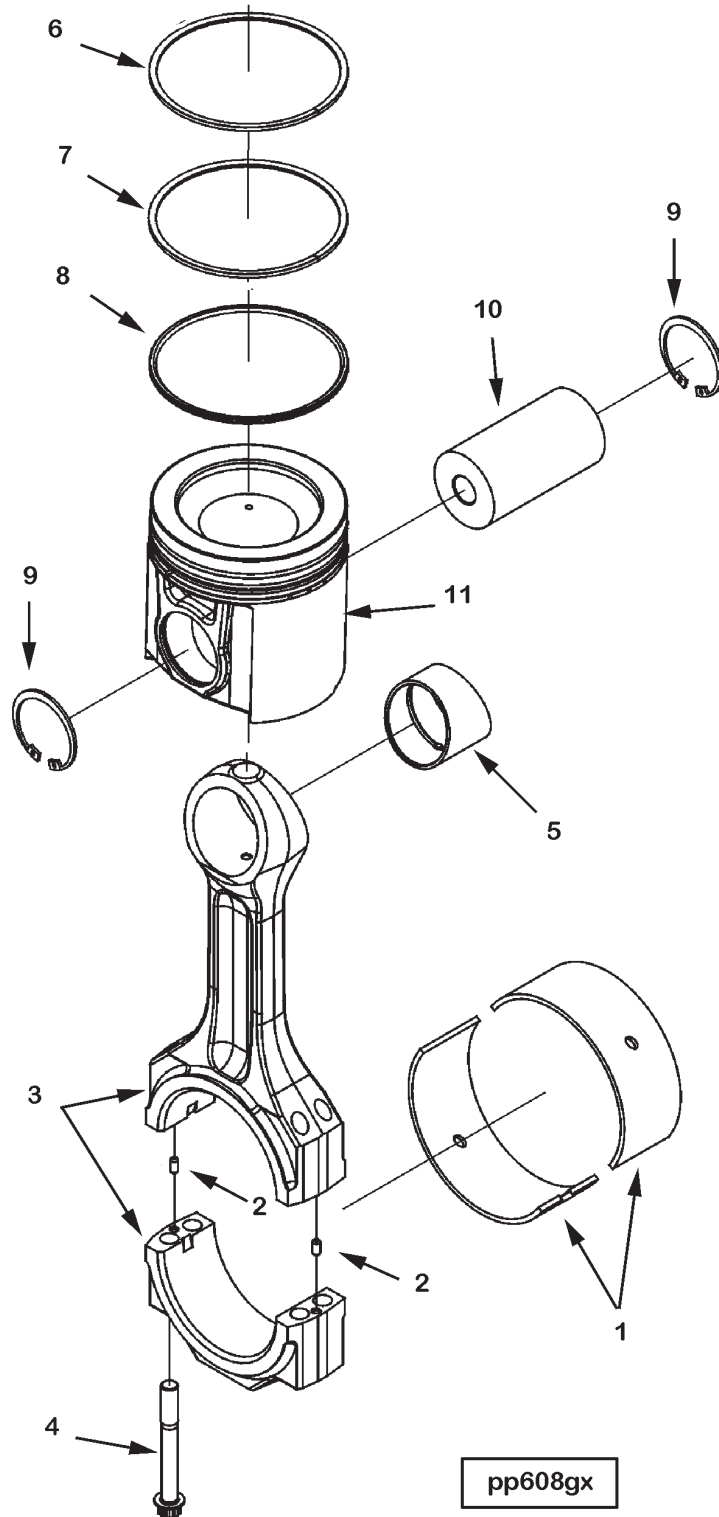
Ref No.	Part Number	Part Name	Req	Remarks
		MODULE,ENGINE CONTROL		
		OPTION PH6768		
				comment: HPI ECM version: CM500 module location (mm): Left side ambient air pressure sensor included: Yes
				Intake manifold temp sensor manufact: High stat flywheel size: SAE "0" for qsk 60 indus- trial engines.
1	3066855	Dataplate	1	
	4088181	Valve, Etr Fuel Control	1	
2	3867743	Module, Electronic Control	1	
3	3901865	Screw, Hex Flange Head Cap	6	M6 X 1.00 X 20.
	4088180	Valve, Etr Cnt Pressure	1	
4	S 607	Washer, Lock	4	#10.
5	S 2286	Screw, Drive	2	
6	105375	Nameplate	1	
7	118226	Screw, Socket Head Cap	4	#10 - 24 X 1 1/4 Inch.
8	129768	Spring, Valve	1	
9	129839	Shield, Shutoff Valve	1	
10	129888	Seal, Rectangular Ring	2	
11	196057	Disc, Valve	1	
12	3021420	Solenoid	1	
	3330602	Actuator, Etr Fuel Control	1	
13	3042542	Seal, O Ring	1	
14	3331031	Actuator, Etr Fuel Control	1	
15	3865398	Seal, O Ring	1	
16	3867393	Screen, Filter	1	
	3330658	Body, Control Valve	1	
17	3329693	Insert, Threaded	8	
18	3330657	Body, Control Valve	1	
	3331818	Elbow, Male Union	1	
19	3085709	Seal, O Ring	1	
20	3331819	Elbow, Male Union	1	
21	3678606	Seal, O Ring	1	
	3347907	Actuator, Etr Fuel Control	2	ECVA Fuel Rail Actuator
13	3042542	Seal, O Ring	2	
22	3348442	Actuator, Etr Fuel Control	1	
15	3865398	Seal, O Ring	2	
16	3867393	Screen, Filter	2	
	3408562	Sensor, Pressure	1	Fuel Rail
23	3330202	Seal, O Ring	1	
24	3408563	Sensor, Pressure	1	
	3408564	Sensor, Pressure	1	Timing rail.
23	3330202	Seal, O Ring	1	
25	3408565	Sensor, Pressure	1	
	3678921	Plug, Threaded	4	
26	3678912	Seal, O Ring	1	
27	(3678922)	Plug, Threaded	1	
28	4954905	Sensor, Temperature	2	Coolant or oil.
29	4010519	Seal, O Ring	1	
30	4088863	Housing, Actuator	1	
31	4088274	Disc, Actuator	1	
32	4921411	Module, Electronic Control	1	
	4088734	Sensor, Pressure	2	Oil.
23	3330202	Seal, O Ring	1	
33	4088735	Sensor, Pressure	1	
	3408556	Sensor, Pressure	1	Coolant or intake m
23	3330202	Seal, O Ring	1	
34	3408557	Sensor, Pressure	1	
35	3093936	Screw, Hex Flange Head Cap	4	
36	3332183	Gasket, Connection	1	



Ref No.	Part Number	Part Name	Req	Remarks
37	3638453	Bracket, Sensor	1	
38	3867561	Sensor, Blowby Flow	1	Blowby flow.
39	3900629	Screw, Hex Flange Head Cap	2	M8 X 1.25 X 16.
40	3968475	Screw, Hex Flange Head Cap	1	
41	4001537	Clamp, Wire Tie	1	
42	4902720	Sensor, Pressure	1	Ambient air.
43	3408472	Sensor, Speed	1	Flywheel.
	3408653	Sensor, Fluid Level	1	Oil.
44	3089240	Seal, O Ring	1	
45	3408654	Sensor, Fluid Level	1	Oil.
46	3282074	Nut, Hexagon Flange	2	
	3678921	Plug, Threaded	1	
26	3678912	Seal, O Ring	1	
27	3678922	Plug, Threaded	1	
	3408345	Sensor, Temperature	1	Coolant or intake m
47	3408346	Sensor, Temperature	1	
29	4921574	Seal, O Ring	1	
	3865346	Sensor, Temperature	1	Coolant or oil.
28	3096153	Sensor, Temperature	1	Coolant or oil.
29	(4921574)	Seal, O Ring	1	

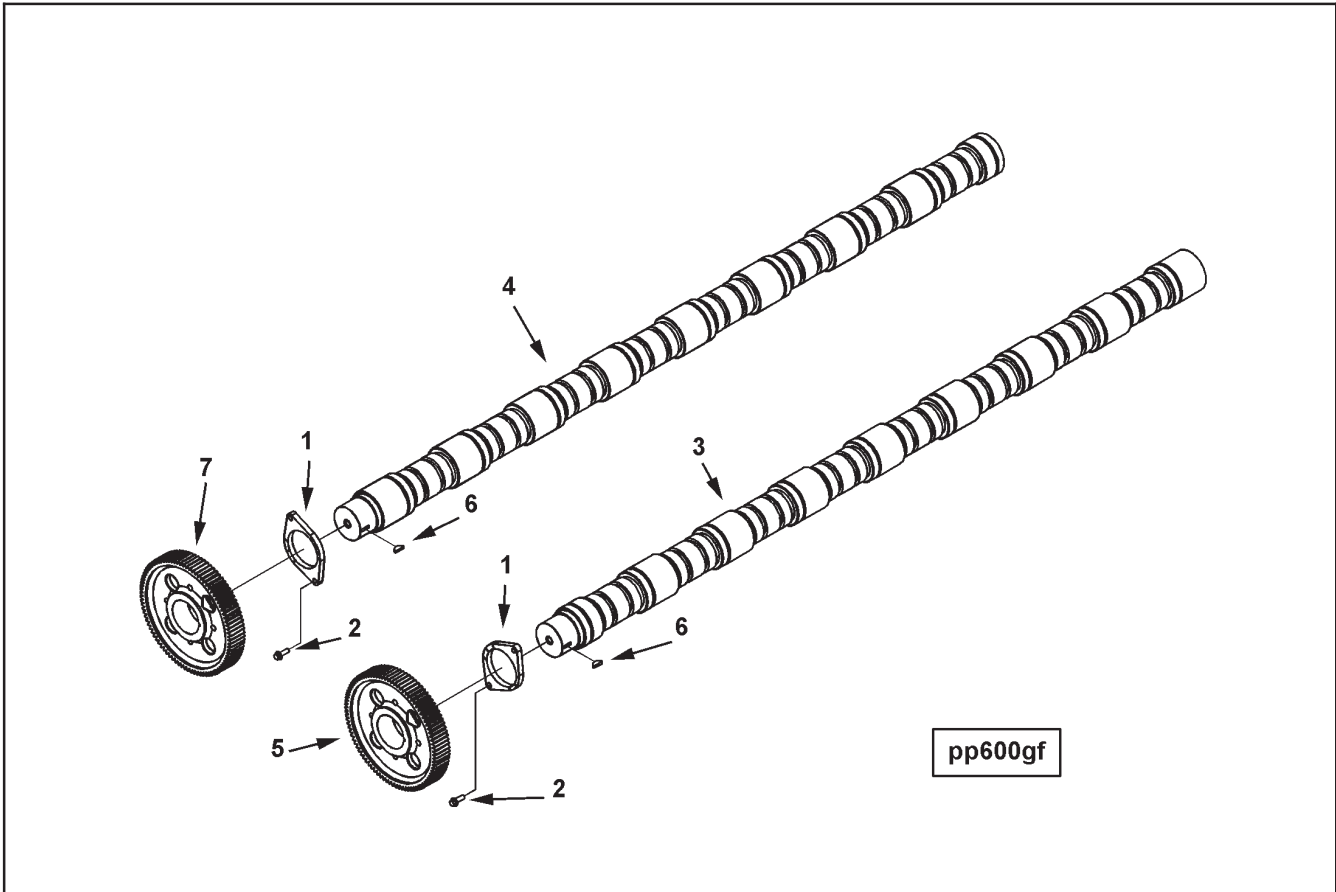


Ref No.	Part Number	Part Name	Req	Remarks
		PRIMER,ENGINE LUBRICATING OPTION PL6805		Engine lubricating primer Engine Family: Qsk60 manufacturer/model: RPM Industries/p4 k40 Voltage: 24 mounting location: Right bank rear over cylinder #6 prelube attachment: Pan rail below cylinder #6 and cylinder block wire harness included: Yes plumbing supplied: Yes supply: #16 hose supply hose connection: 1 7/16-12 UNF supply interface: Lube oil filter head suction: #20 hose suction hose connec- tion: 1 11/16-12 UNF suction interface: Oil pan adapter items kitted: Wiring harness/relay switch For use on qsk60 engines with spin-on filter heads.
1	S 626	Washer, Plain	2	5/16 Inch.
2	67950	Clip	1	# 16
3	3282081	Screw, Hex Flange Head Cap	2	M10 x 1.50 x 75.
4	3336566	Nut, Lock	2	
5	3393258	Elbow, Male Adapter	1	
	3410392	Elbow, Male Union	1	
6	3089019	Seal, O Ring	1	
7	3332160	Seal, O Ring	1	
8	3410393	Elbow, Male Union	1	
9	3628554	Brace, Tube	1	
	3634686	Union, Male	1	
10	3063166	Seal, O Ring	1	
7	3332160	Seal, O Ring	1	
11	3634688	Union, Male	1	
12	3637969	Primer, Engine Lubricating	1	
13	4007287	Harness, Wiring	1	
14	4067915	Cable, Battery	1	
15	4067917	Cable, Battery	1	
16	4951860	Switch, Relay	1	
17	4951861	Bracket, Relay	1	
18	4951862	Harness, Wiring	1	
19	4951863	Cable, Battery	1	
20	4951864	Switch, Magnetic	1	
21	3639516	Bracket, Pump	1	
22	3639540	Bracket, Pump	2	
23	3639541	Bracket, Pump	2	
24	3902114	Screw, Hex Flange Head Cap	2	M8 X 1.25 X 30.
25	3902662	Nut, Hexagon Flange	1	M10 X 1.50.
26	3903990	Screw, Hex Flange Head Cap	1	M10 X 1.50 X 20.
27	3910495	Screw, Hex Flange Head Cap	6	M12 X 1.75 X 30.
28	4017212	Tee, Male Union	1	
	4065496	Elbow, Male Union	1	
29	3678846	Seal, O Ring	1	
30	4065497	Elbow, Male Adapter	1	
	4065979	Valve, Check	1	
31	4007204	Valve, Check	1	
	4007207	Connector, Male	1	
32	3075658	Seal, O Ring	1	
33	4007208	Union, Male	1	
34	4080234	Clip	1	
35	4080576	Hose, Flexible	1	
36	4924925	Switch, Pressure	1	
37	4928120	Hose, Flexible	1	

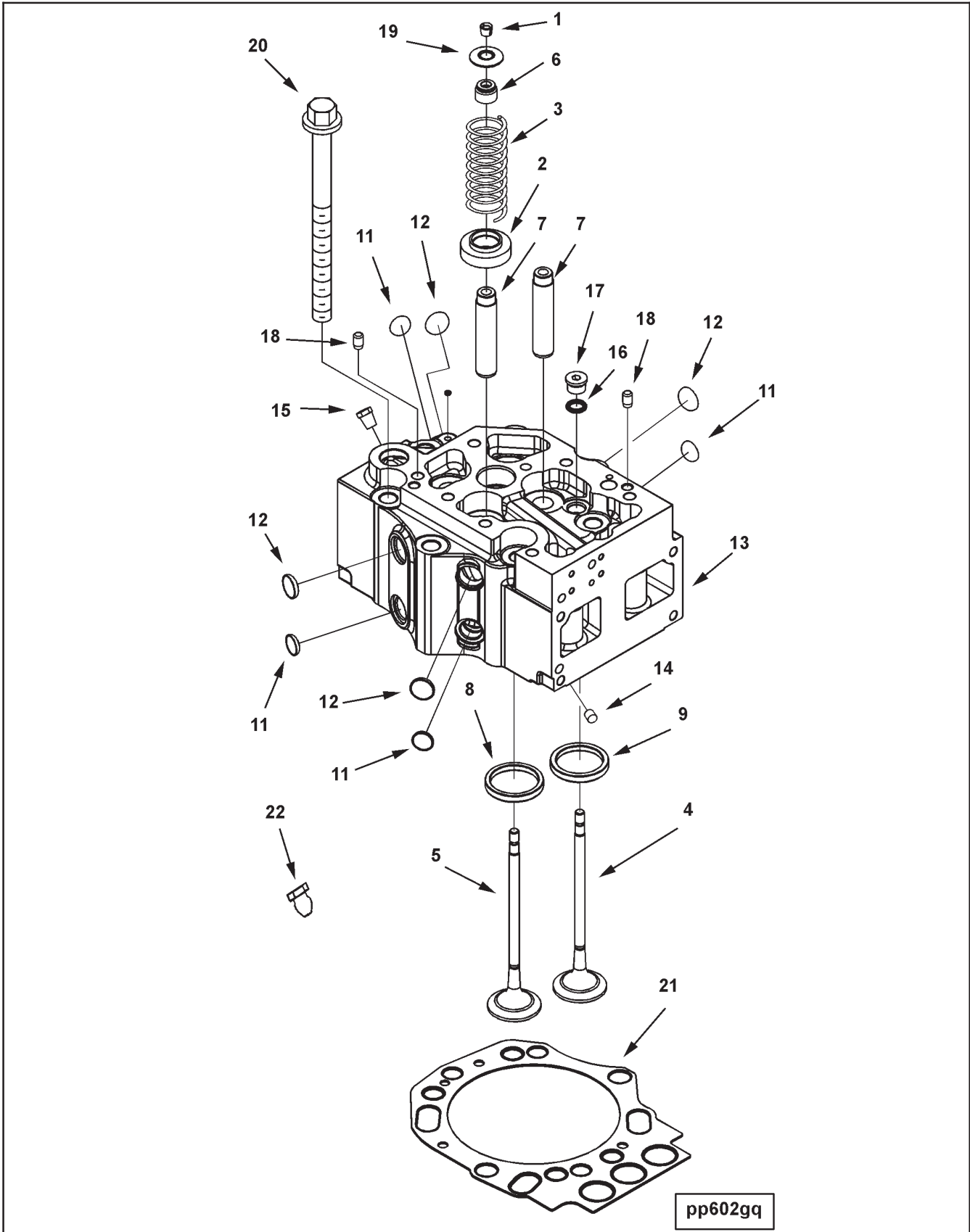


pp608gx

Ref No.	Part Number	Part Name	Req	Remarks
		CONNECTING ROD AND PISTON OPTION PP2848		Performance parts Certified Model Name: Qsk60- C timing gear code: Kf CPL: 2848 Certified By: EPA , CARB AFC: N/A ASA: N/A EFC: N/A ETC: N/A Manifold Type: Dry Engine Aspiration: Turbocharger Aftercooled Engine Control System: HPI Application: Nonroad Power Turbine: N/A Design Phase: N/A Power Rating: N/A ECM version: CM series centinel provision: No.
1	3640763	Bearing, Connecting Rod	2	
	3640764	Bearing, Connecting Rod	A/R	.25 MM oversize
	3640765	Bearing, Connecting Rod	A/R	.50 MM oversize
	3640766	Bearing, Connecting Rod	A/R	.75 MM oversize
	3640767	Bearing, Connecting Rod	A/R	1.00 MM oversize
	(3640518)	Rod, Engine Connecting	16	order Recon 3640518 NX
2	69558	Dowel, Pin	2	
3	(3640515)	Rod, Engine Connecting	1	
4	4007226	Screw, Hex Flange Head Cap	4	
5	3639974	Bushing	1	
	4956091	Set, Piston Ring	16	
6	(4910251)	Ring, Compression Piston	1	Serviced as mult kits.
7	3090460	Ring, Compression Piston	1	
8	(3090450)	Ring, Oil Piston	1	Serviced as mult kits.
	4955781	Kit, Engine Piston	16	
9	3089251	Ring, Retaining	2	
10	4001416	Pin, Piston	1	
11	(3640474)	Piston, Engine	1	

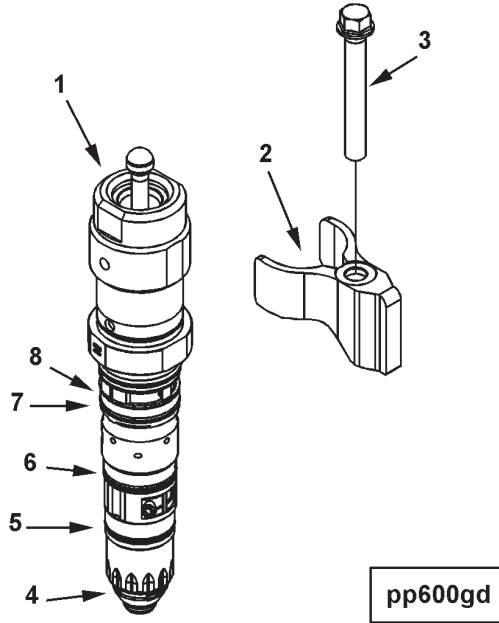


Ref No.	Part Number	Part Name	Req	Remarks
		CAMSHAFT OPTION PP2848		
1	3082437	Bearing, Camshaft Thrust	2	
2	3903112	Screw, Hex Flange Head Cap	4	M10 x 1.50 x 30
3	(3411289)	Camshaft	1	Left Bank order 3411289 NX
4	(3411290)	Camshaft	1	Right Bank order 3411290 NX
5	3332138	Gear, Camshaft	1	
6	S 302	Key, Offset Woodruff	2	
7	3089081	Gear, Camshaft	1	

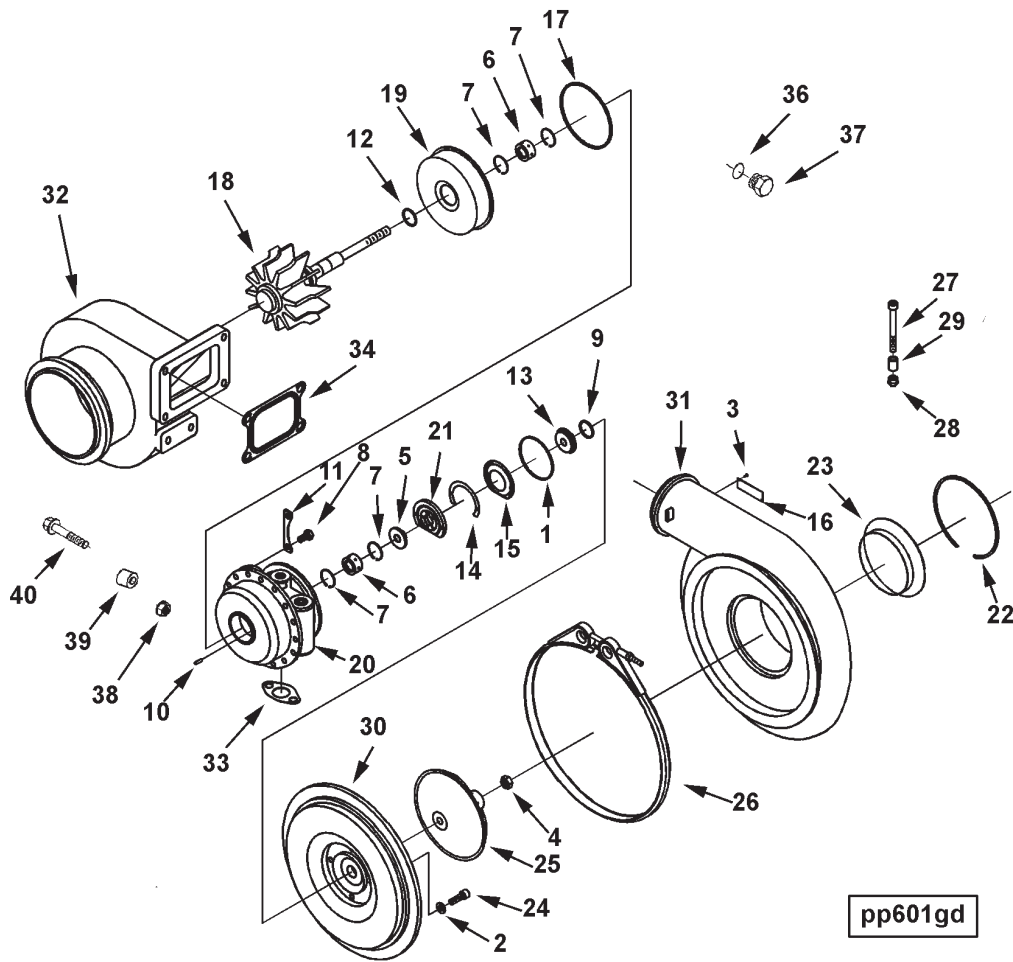


pp602gq

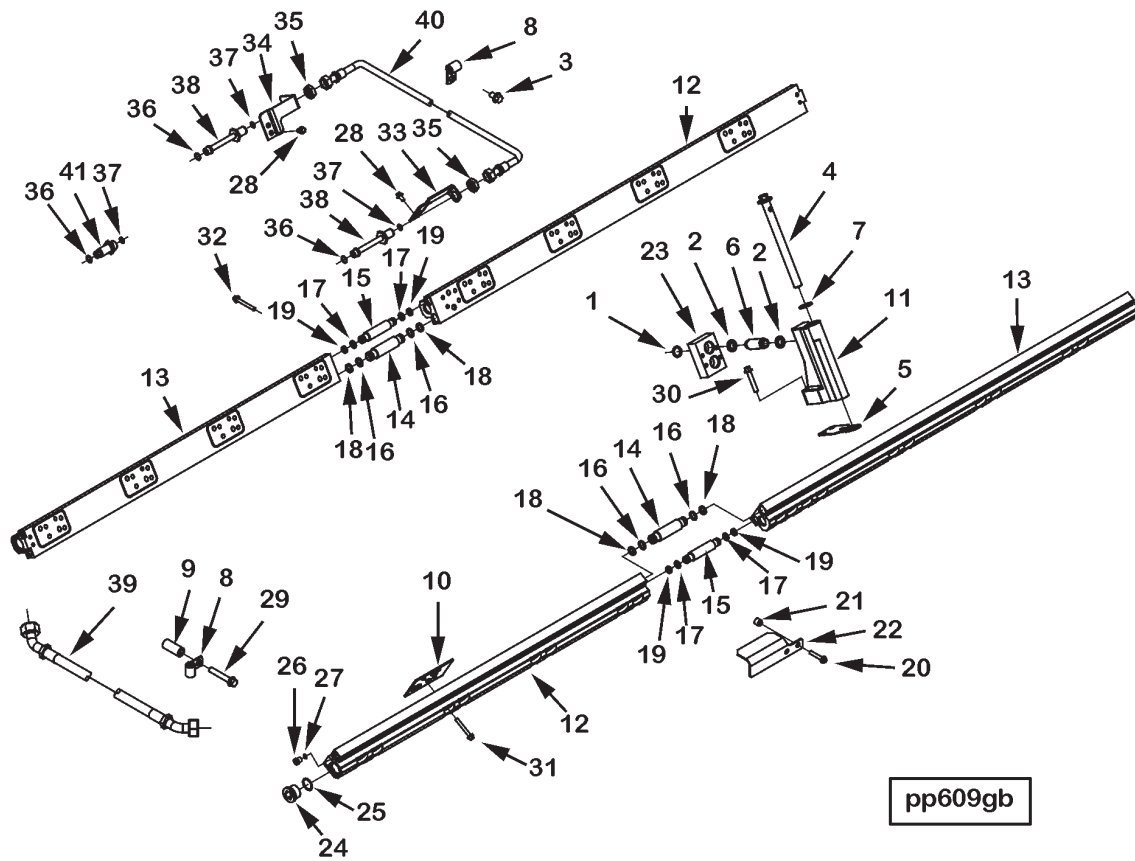
Ref No.	Part Number	Part Name	Req	Remarks
CYLINDER HEAD				
OPTION PP2848				
	3638747	Head, Cylinder	16	
2	4086649	Rotator, Valve	4	
3	3635455	Spring, Valve	4	
	4955384	Kit, Intake Valve	2	
4	3171769	Valve, Intake	1	Serviced as 4955384
1	3081534	Collet, Valve	2	
	4025070	Kit, Exhaust Valve	2	
5	4065481	Valve, Exhaust	1	
1	3081534	Collet, Valve	2	
6	3408282	Seal, Valve Stem	2	
6	4080343	Seal, Valve Stem	2	
7	3641624	Guide, Valve Stem	4	
8	4080326	Insert, Valve	2	
9	4080333	Insert, Valve	2	
10	203933	Plug, Expansion	1	
11	205401	Plug, Expansion	4	
12	3007635	Plug, Expansion	4	
13	(4086626)	Head, Cylinder	1	
14	3176663	Seal, Tamper Proof	1	
15	3278093	Plug, Pipe	1	1/4 NPT.
	3678873	Plug, Threaded	1	
16	3678786	Seal, O Ring	1	
17	(3678791)	Plug, Threaded	1	
18	3900257	Dowel, Pin	2	
19	3331752	Retainer, Valve Spring	4	
22	4066599	Plug, Retainer	1	
20	4080253	Screw, Hex Flange Head Cap	112	
21	4086225	Gasket, Cylinder Head	16	
	4955384	Kit, Intake Valve	1	
1	3081534	Collet, Valve	2	
4	3171769	Valve, Intake	1	Serviced as 4955384
	3804892	Kit, Exhaust Valve		
1	3081534	Collet, Valve	2	
5	3090469	Valve, Exhaust	1	



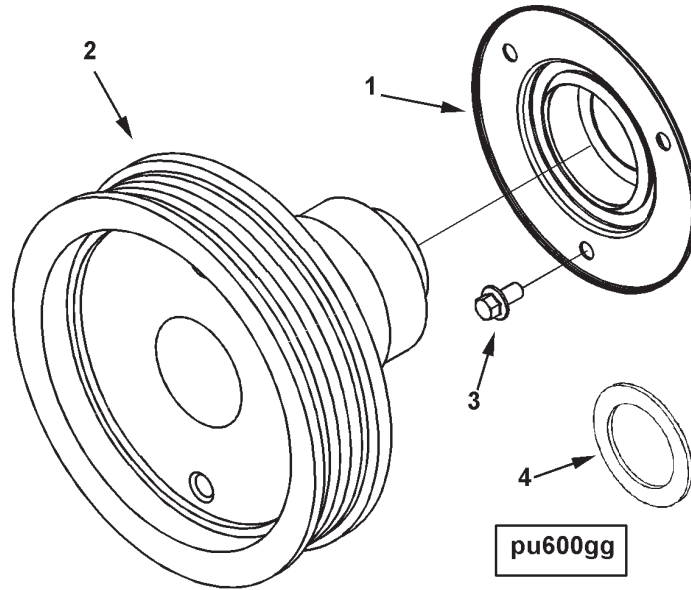
Ref No.	Part Number	Part Name	Req	Remarks
INJECTOR OPTION PP2848				
1	4088427	Injector	16	Recon equivalent 4088427 PX
2	3348663	Clamp, Injector	16	
3	3089499	Screw, Hex Flange Head Cap	16	
4	3867687	Seal, Injector	16	Std.
5	3867651	Seal, O Ring	16	Brown
6	3347937	Seal, O Ring	16	Green
7	4010577	Seal, O Ring	16	Blue
8	3347939	Seal, O Ring	16	Black



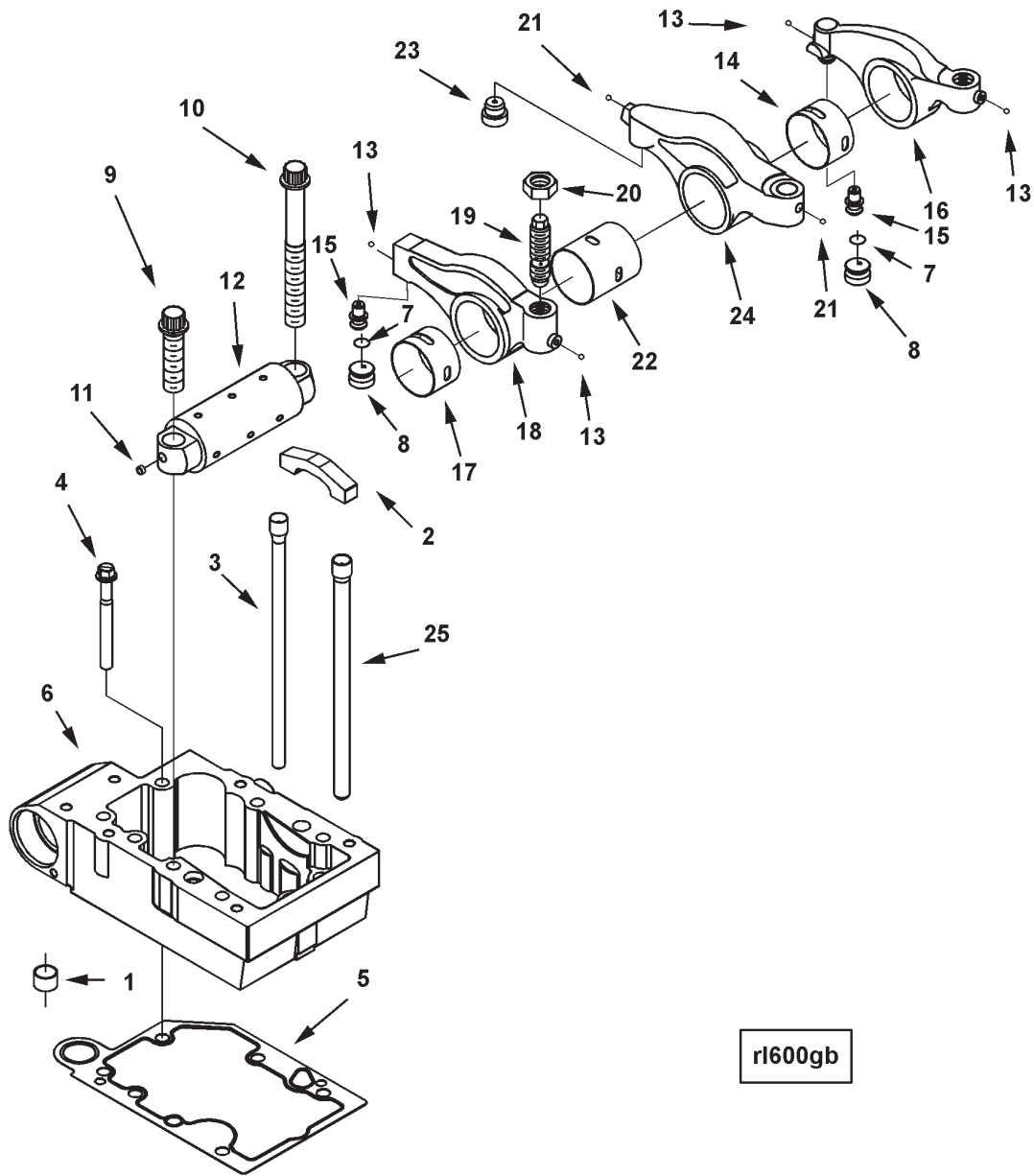
Ref No.	Part Number	Part Name	Req	Remarks
		TURBOCHARGER		
		OPTION PP6758		
				Turbocharger
	4955686	Kit, Turbocharger	4	
	(4047291)	Turbocharger	4	
1	3502449	Seal, Rectangular Ring	1	
2	3504967	Washer, Plain	4	
3	3519163	Screw, Drive	2	
4	3519535	Nut, Lock	1	M11 X 1.00.
5	(4039735)	Collar, Thrust	1	
6	(3598528)	Bearing, Turbocharger	2	
7	3519641	Ring, Retaining	4	
8	3598923	Screw, Hexagon Head Set	8	
9	3521442	Seal, Split Ring	1	
10	3522597	Pin, Roll	2	
11	3522904	Lockplate	4	
12	3523412	Seal, Split Ring	1	
13	(4036307)	Slinger, Oil	1	
14	3524418	Shim	1	
15	3524419	Baffle, Oil	1	
16	(3527619)	Dataplate	1	
17	3534405	Seal, Rectangular Ring	1	
18	(3595589)	Shaft & Wheel	1	
19	3536588	Shield, Turbocharger Heat	1	
20	(4038374)	Housing, Tur Bearing	1	
21	(4037264)	Bearing, Tur Thrust	1	
22	3537301	Ring, Retaining	1	
23	3537916	Baffle, Turbocharger Noise	1	
24	(3590377)	Screw, Socket Head Cap	4	
25	(4038464)	Impeller, Tur Compressor	1	
26	3590386	Clamp, V Band	1	
27	3590435	Screw, Socket Head Cap	1	
28	3590444	Nut, Lock	1	
29	3590445	Spacer, Mounting	1	
30	(4041997)	Diffuser, Turbocharger	1	
31	(4038175)	Housing, Compressor	1	
32	(3591172)	Housing, Turbine	1	
33	3089955	Gasket, Connection	1	
34	4065615	Gasket, Turbocharger	1	
	3678873	Plug, Threaded	8	
36	3678786	Seal, O Ring	1	
37	(3678791)	Plug, Threaded	1	
38	3636059	Nut, Lock	16	
39	3089321	Spacer, Mounting	16	
40	4000837	Screw, Hex Flange Head Cap	16	



Ref No.	Part Number	Part Name	Req	Remarks
		PLUMBING,INJECTOR		
		OPTION PP6940		
				Injector plumbing for qsk 60 fan drive: Yes single stage.
1	3072853	Seal, O Ring	4	
2	3089501	Seal, Rectangular Ring	8	
3	3093957	Screw, Hex Flange Head Cap	2	
4	3171693	Screw, Hex Flange Head Cap	2	
5	3171695	Gasket, Connection	2	
6	3171696	Tube, Fuel Transfer	4	
7	3171963	Washer, Sealing	2	
8	3627412	Clip	6	
9	3631817	Spacer, Mounting	2	
10	3637870	Gasket, Fuel Manifold	16	
11	3641774	Connection, Fuel Block	2	
12	3638062	Manifold, Fuel	2	
13	3638063	Manifold, Fuel	2	
14	3638064	Tube, Fuel Transfer	4	
15	3638065	Tube, Fuel Transfer	2	
16	3638101	Seal, O Ring	8	
17	3638102	Seal, O Ring	4	
18	3638326	Seal, Dust	8	
19	3638327	Seal, Dust	4	
20	3639283	Screw, Hex Flange Head Cap	4	
	3639630	Shield, Fuel Line	2	
21	3639377	Spacer, Mounting	2	
22	3639629	Shield, Fuel Line	1	
23	3642058	Connection, Fuel Block	2	
	3678611	Plug, Threaded	2	
24	(3678605)	Plug, Threaded	1	
25	3678606	Seal, O Ring	1	
	3678923	Plug, Threaded	4	M10 x 1.00 x 9.5
26	(3678924)	Plug, Threaded	1	M10 X 1 X 13.5
27	3678925	Seal, O Ring	1	
28	3900626	Screw, Hex Flange Head Cap	4	M6 X 1.00 X 12
29	3900635	Screw, Hex Flange Head Cap	2	M10 X 1.50 X 60.
30	3901445	Screw, Hex Flange Head Cap	4	M8 X 1.25 X 45
31	3901937	Screw, Hex Flange Head Cap	64	M6 X 1.00 X 45.
32	(3927220)	Screw, Hex Flange Head Cap	4	
33	4000843	Brace, Tube	1	
34	4000844	Brace, Tube	1	
35	4000847	Nut, Lock	2	
	4001633	Connector, Male	2	
36	3678912	Seal, O Ring	1	
37	3922794	Seal, O Ring	1	
38	(4001170)	Connector, Male	1	No service kit.
39	4065385	Hose, Flexible	1	
40	4085920	Hose, Flexible	1	
	4101023	Connector, Male	2	
36	3678912	Seal, O Ring	1	
37	3922794	Seal, O Ring	1	
41	(4101022)	Connector, Male	1	

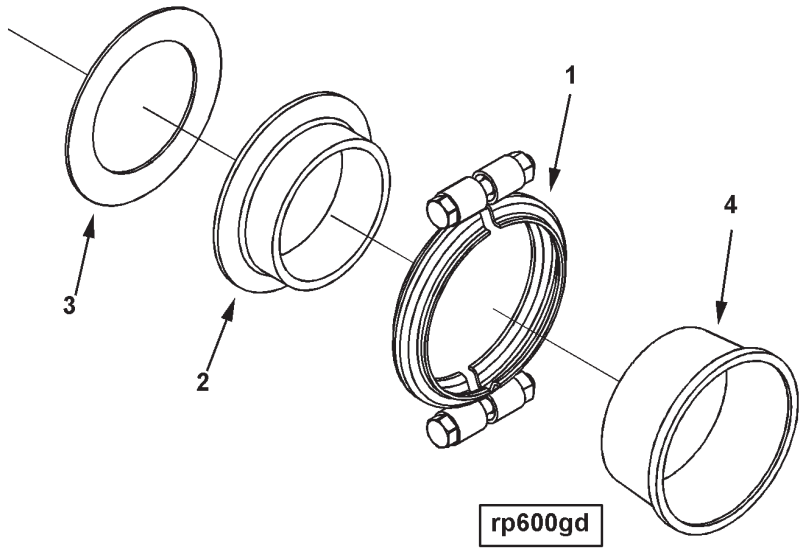


Ref No.	Part Number	Part Name	Req	Remarks
		ACCESSORY DRIVE PULLEY OPTION PU6704		Accessory drive pulley no. of grooves: 10 groove description: Pk section v- ribbed direction of rotation: Same as crankshaft ie: Clockwise when viewed from front of engine Drive Ratio To Engine Speed: 3.56:1 For alternator drive pulley diameter: 173mm Pitch Diameter: 170.00mm.
1	4080404	Seal, Oil	1	
2	4080396	Pulley, Accessory Drive	1	
3	3900626	Screw, Hex Flange Head Cap	3	M6 X 1.00 X 12.
4	4080395	Spacer, Mounting	1	



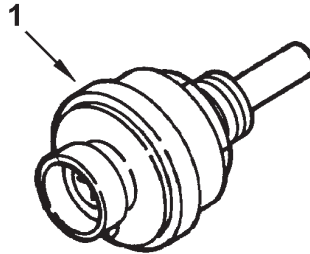
r1600gb

Ref No.	Part Number	Part Name	Req	Remarks
		LEVER,ROCKER		
		OPTION RL6712		
1	3079743	Dowel, Ring	16	
2	3641535	Crosshead, Valve	32	
3	4080240	Rod, Push	32	
4	3089563	Screw, Hex Flange Head Cap	112	
5	3171499	Gasket, Rkr Lever Housing	16	
6	4100827	Housing, Rocker Lever	16	
9	3089193	Screw, Twelve Point Cap	16	
10	3089194	Screw, Twelve Point Cap	16	
	3089715	Shaft, Rocker Lever	16	
11	203933	Plug, Expansion	16	
12	(3089716)	Shaft, Rocker Lever	16	
	4065633	Lever, Rocker	16	
7	3028349	Seal, O Ring	16	
8	3085980	Socket, Rocker Lever	16	
13	4065627	Plug, Drive	32	
14	3085972	Bushing	16	
15	3085978	Ball, Rocker Lever	16	
16	4065632	Lever, Rocker	16	
19	3090007	Screw, Rkr Lever Adjusting	16	
20	3680057	Nut, Regular Hexagon Jam	16	
	4065636	Lever, Rocker	16	
7	3028349	Seal, O Ring	16	
8	3085980	Socket, Rocker Lever	16	
13	4065627	Plug, Drive	32	
17	3085973	Bushing	16	
15	3085978	Ball, Rocker Lever	16	
18	4065635	Lever, Rocker	16	
19	3090007	Screw, Rkr Lever Adjusting	16	
20	3680057	Nut, Regular Hexagon Jam	16	
	4065639	Lever, Rocker	16	
21	4065627	Plug, Drive	32	
22	3081514	Bushing	16	
23	3089177	Socket, Rocker Lever	16	
24	4065638	Lever, Rocker	16	
19	3090007	Screw, Rkr Lever Adjusting	16	
20	3680057	Nut, Regular Hexagon Jam	16	
25	3410897	Rod, Push	16	



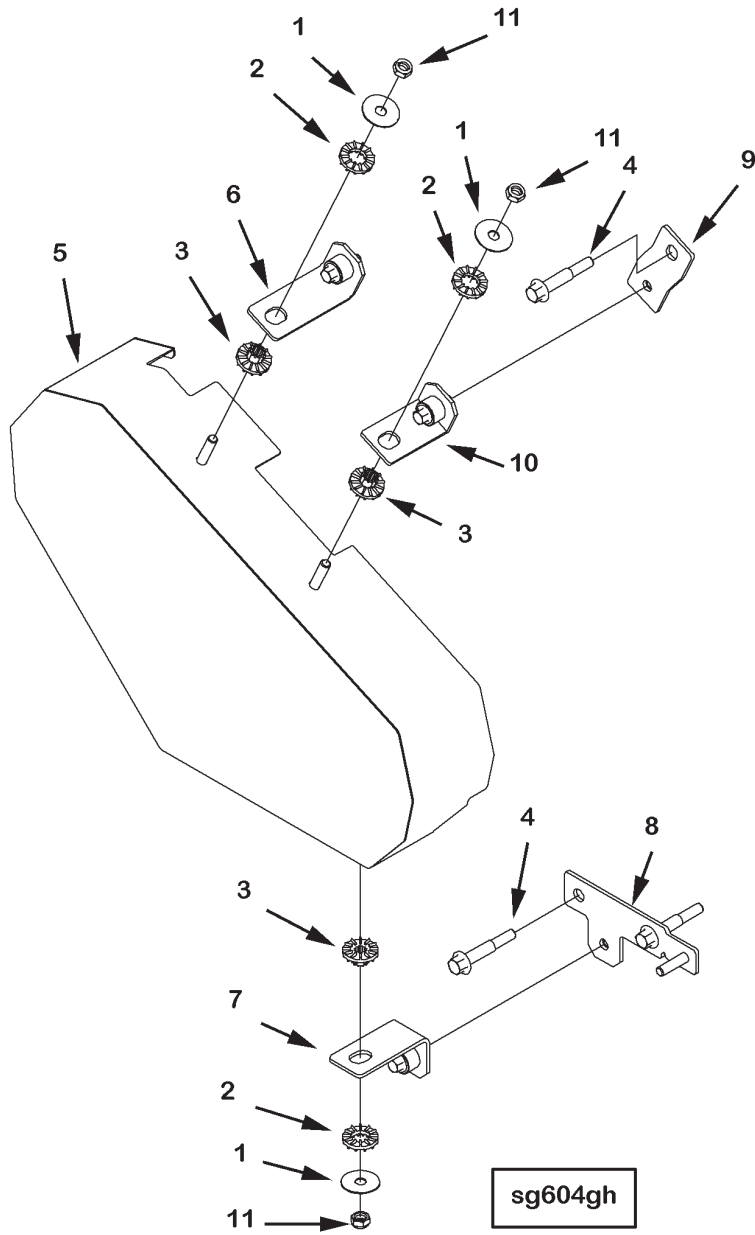
Ref No.	Part Number	Part Name	Req	Remarks
RADIATOR PLUMBING				
OPTION RP6002				
1	3332164	Clamp, V Band	1	
2	3332194	Flange	1	
3	3332391	Gasket, Water Pump	1	
4	4017656	Plug, Orifice	1	
Radiator plumbing flange for customer to weld 3 inch outside diameter tube at the auxiliary cooling water pump.				

Ref No.	Part Number	Part Name	Req	Remarks
		<p align="center">SOFTWARE,CALIBRATION OPTION SC60486</p>		<p>Calibration software CPL: 2848 Engine Control System: HPI rated power: 2500 BHP at 1900 RPM Peak torque: 7257 FT LB at 1500 RPM Governed Power: 2500 BHP At 1900 RPM Governed Torque: 0000 Certified By: EPA ,CARB Application: Nonroad cal restr: None Power Rating: N/A Calibration Voltage: 24 speed input: Flywheel comment: Cert level: Tier 2,tier 2 software phase: 5.9.7.8 special allowance: Tpem do option: Do 6631 sentinel: No.</p>

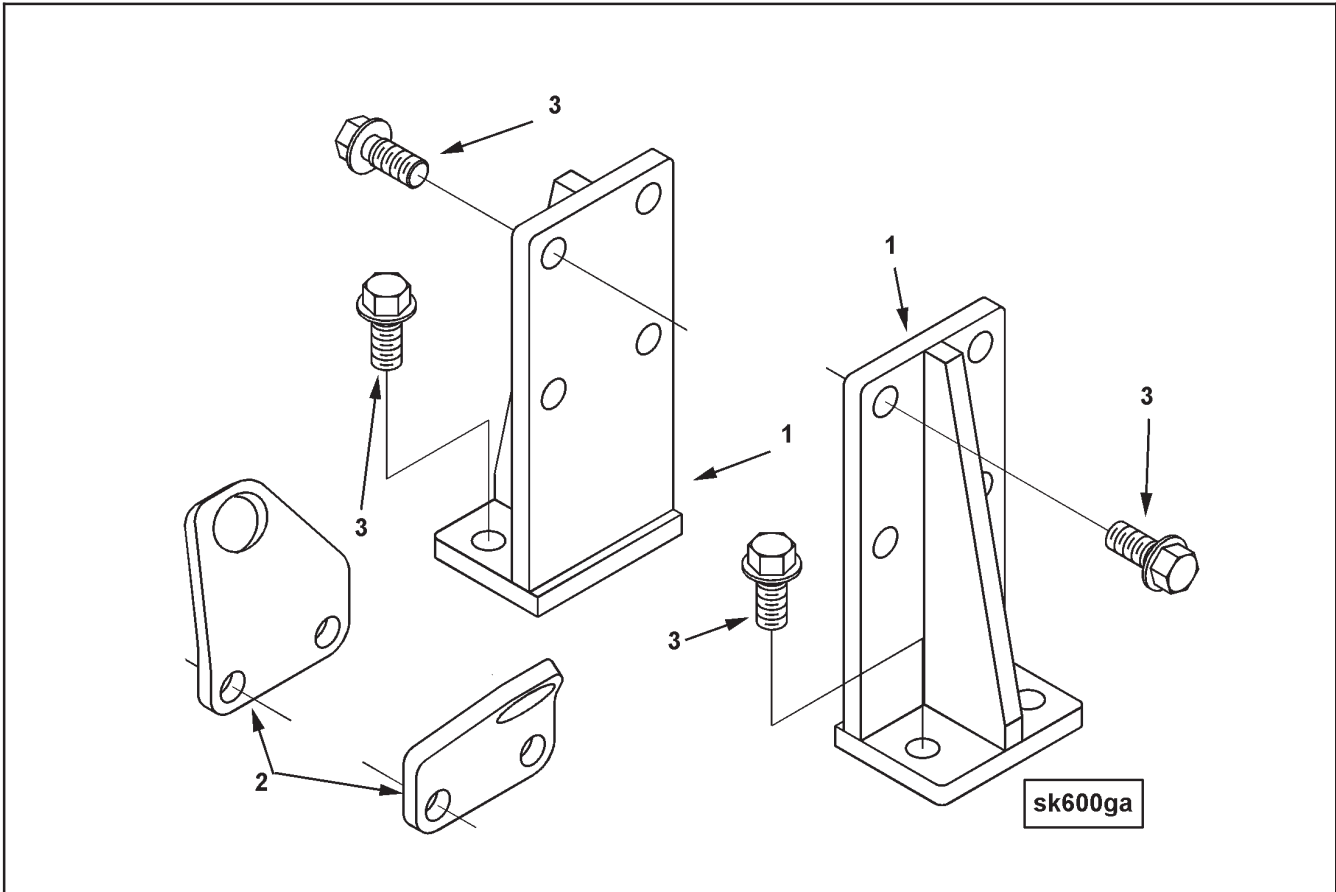


sd100gk

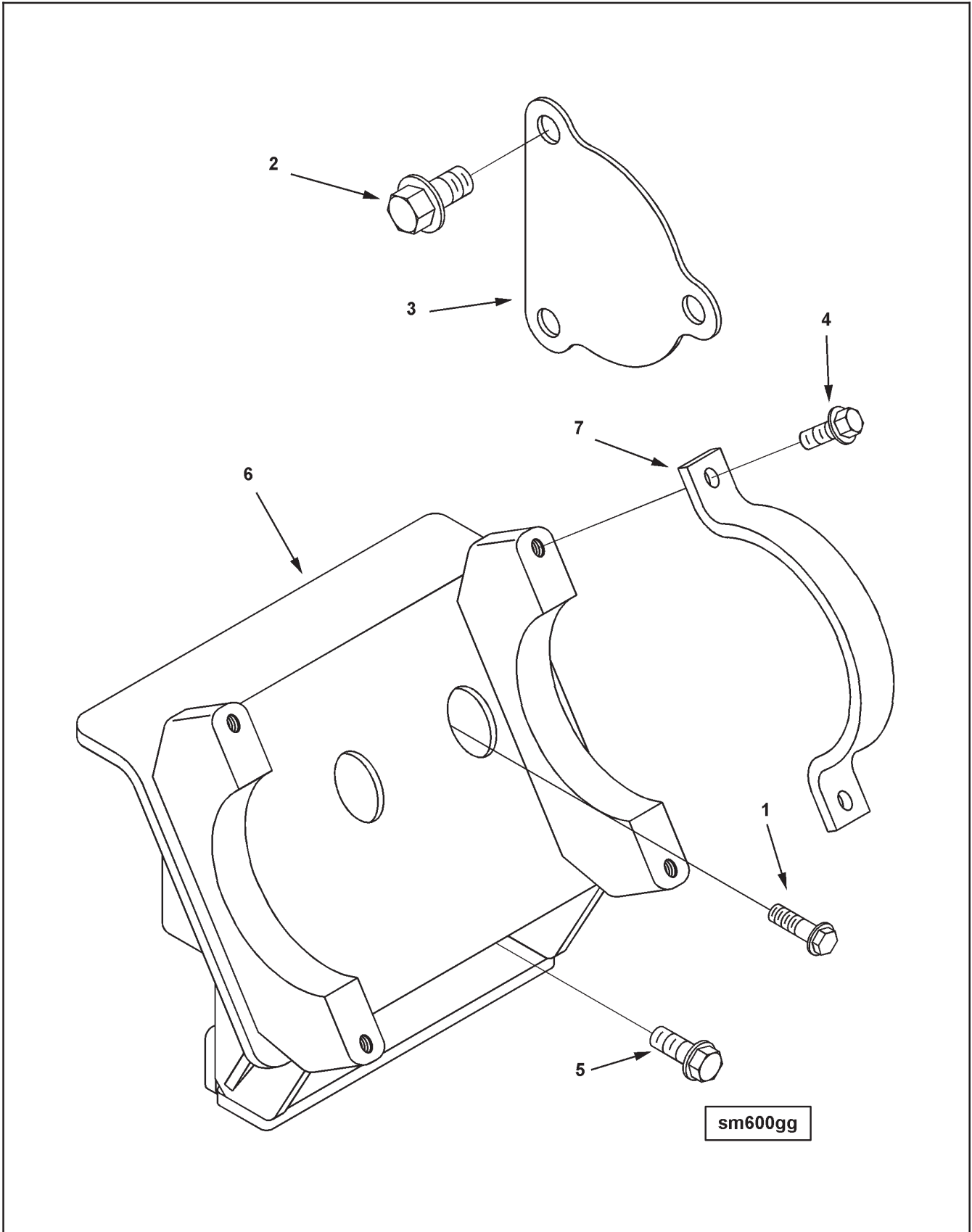
Ref No.	Part Number	Part Name	Req	Remarks
1	4903489	<p style="text-align: center;">COOLANT LEVEL SENSOR OPTION SD6004</p> <p>Switch, Coolant Level</p>	1	<p>Sensor, coolant level For use with customer supplied Wiring harness.</p>



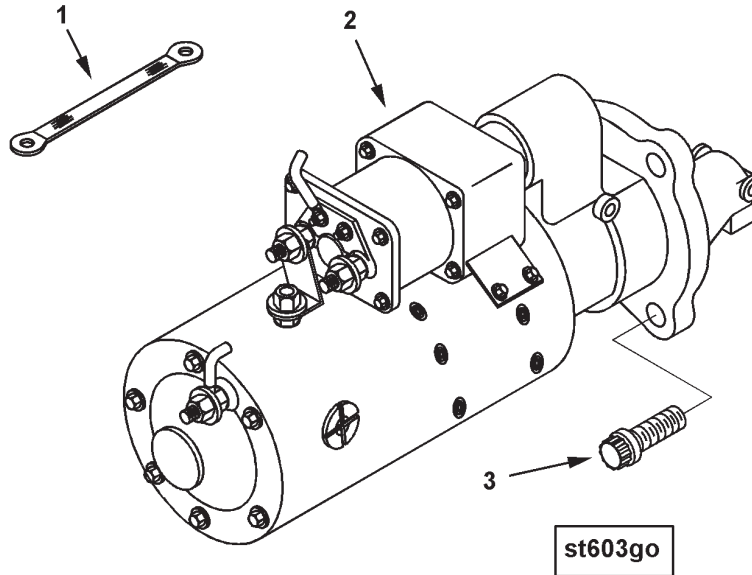
Ref No.	Part Number	Part Name	Req	Remarks
		GUARD,ALTERNATOR OPTION SG6095		Alternator guard alternator manufacturing/ model: Prestolite bld 3314 HC (140amp 24volt) alt drive ratio: 3.56:1 wrt engine speed right side(alternator) guard supplied: Mounted alternator terminal access: No damper guard compatible: Yes fan drive belt tensioner clearance: Yes alternator guard compliance: Eu directive 2006/42/EC for protective guards. 3/8 Inch.
1	3033800	Washer, Plain	4	
2	3035083	Isolator, Vibration	4	
3	3035084	Isolator, Vibration	4	
4	3278480	Screw, Hex Flange Head Cap	2	M12 X 1.75 X 70.
5	3643025	Guard, Alternator	1	
6	3643029	Bracket, Belt Guard	2	
7	3643033	Bracket, Belt Guard	1	
8	3643035	Bracket, Belt Guard	1	
9	3643037	Bracket, Belt Guard	1	
10	3643513	Bracket, Belt Guard	1	
11	4001248	Nut, Lock	4	



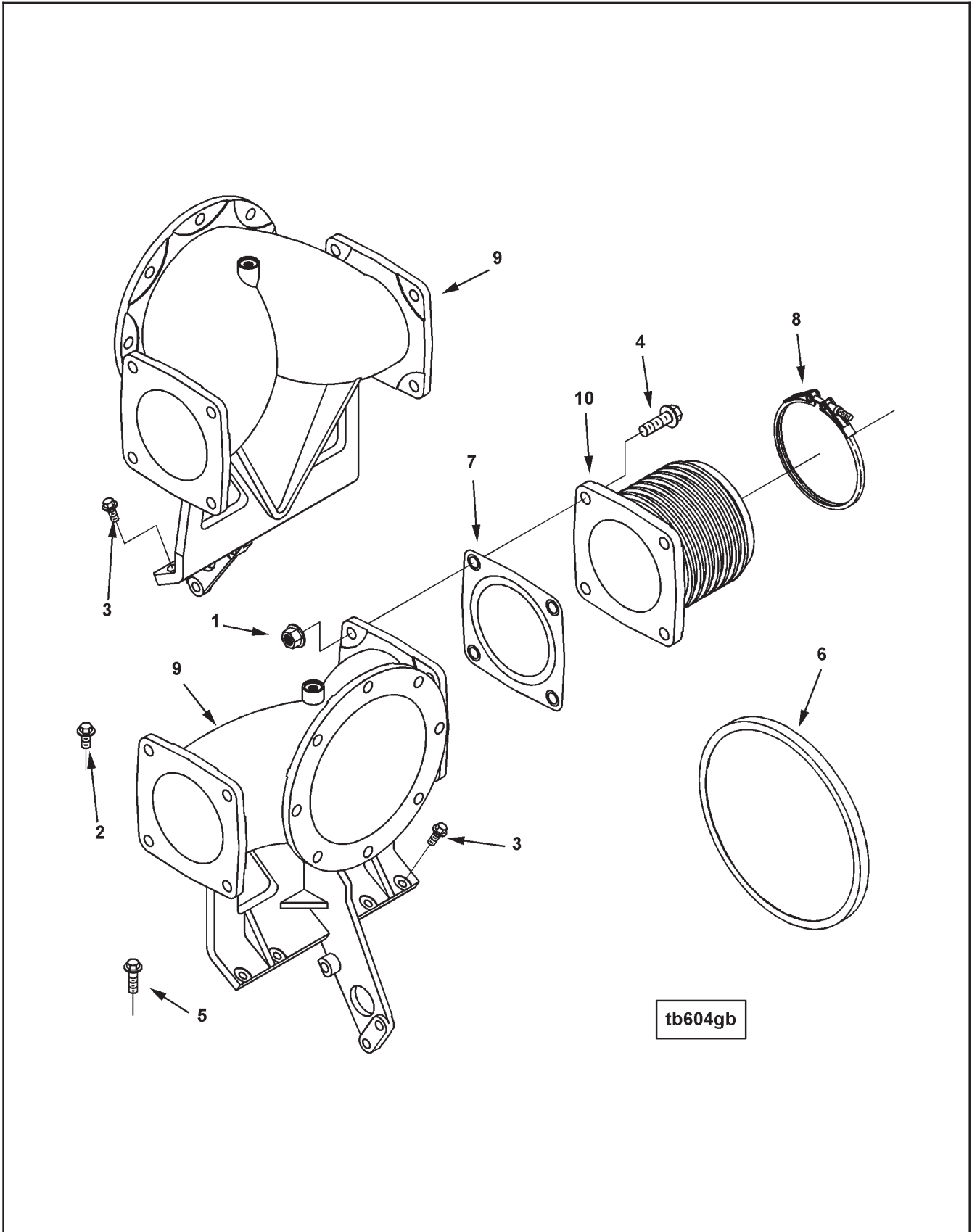
Ref No.	Part Number	Part Name	Req	Remarks
BRACKET, SHIPPING OPTION SK6703				
1	4080265	Bracket, Shipping	2	Shipping bracket
2	4080327	Bracket, Shipping	2	Rear shipping brackets with added strength- ening rib.
3	3089365	Screw, Hex Flange Head Cap	12	For QSK60 and QSK78 engines



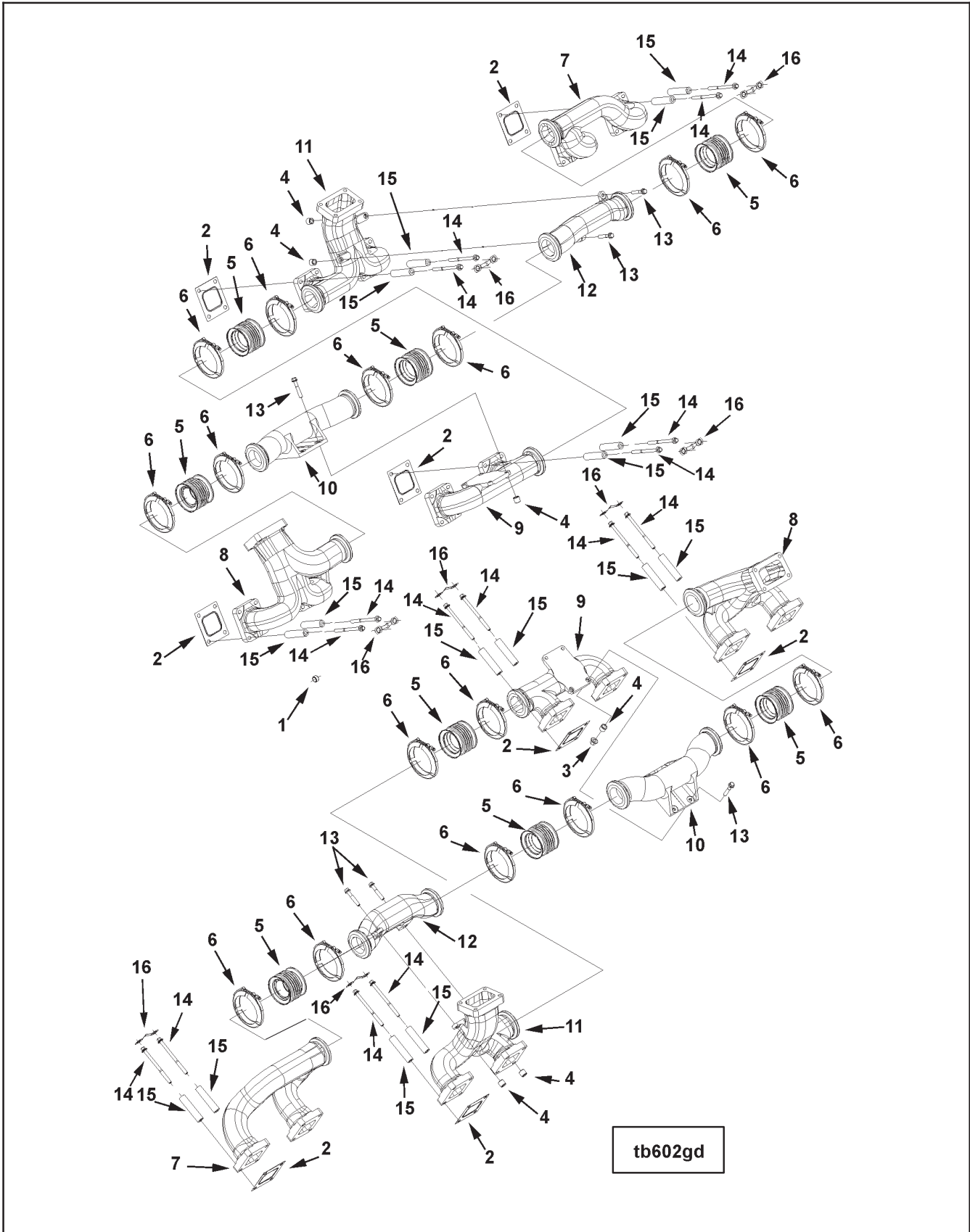
Ref No.	Part Number	Part Name	Req	Remarks
		STARTING MOTOR MOUNTING OPTION SM6708		Mounting, starting motor Starting Motor Count: 3 starter location: 2 electric starters Mounted on the left bank of the flywheel housing and right bank pan rail mounting For remote high volume prelub (hvp) pump Flywheel Housing Material: Cast Iron Clutch Type Provision: Dry Power Supply: Electric. M10 X 1.50 X 100
1	3914407	Screw, Hex Flange Head Cap	2	
2	3089324	Screw, Hex Flange Head Cap	3	
3	3628411	Cover, Starter Flange	1	
4	3902460	Screw, Hex Flange Head Cap	4	M10 X 1.50 X 25.
5	3278480	Screw, Hex Flange Head Cap	2	M12 X 1.75 X 70.
6	4086504	Support, Lub Oil Pump	1	
7	4066180	Bracket, Pump	2	



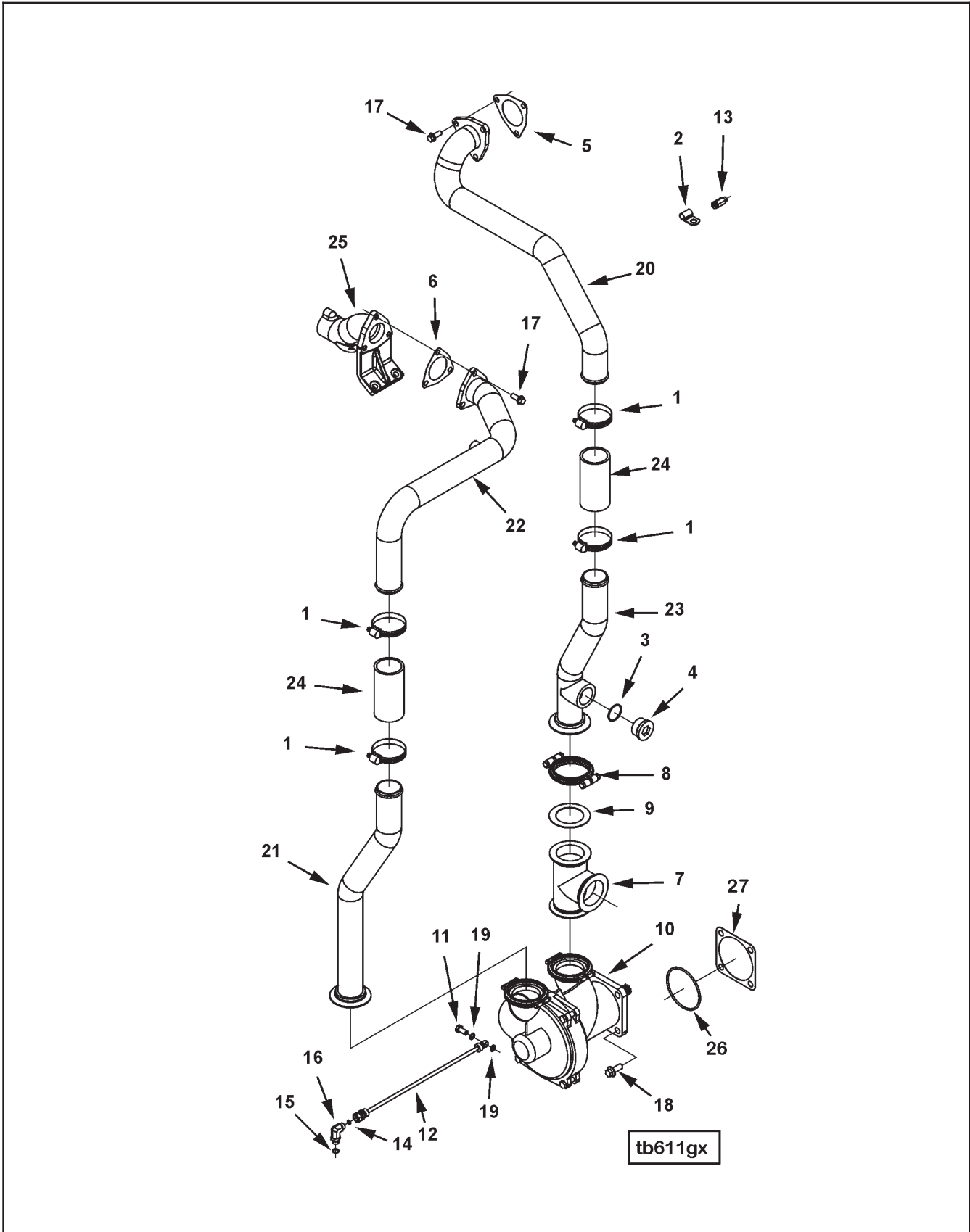
Ref No.	Part Number	Part Name	Req	Remarks
		MOTOR,STARTING OPTION ST6182		Starting motor type: Oil priming device Voltage: 24 starter supplier: Cummins manufacturer/model: RPM Industries p4 k 40 pump count: 1 mounting location: Right bank type: Starting motor Voltage: 24 manufacturer: Manufactured by Remy inc branded for Cummins. Model: 50 MT400 starter count: 2 Method Of Engagement: Positive Solenoid Location: 322 Degrees gear pitch: 6/8 KW rating: 8.95 SAE type starter mounting flange: Type no. 3 mounting location: Left bank Unique Characteristics: For Use With Right bank mounted prelub nose housing of the starter motor has been modified.
1	3018924	Wire, Ground	2	
2	3636819	Motor, Starting	2	
3	3600596	Screw, Twelve Point Cap	6	M16 X 2.00 X 45.



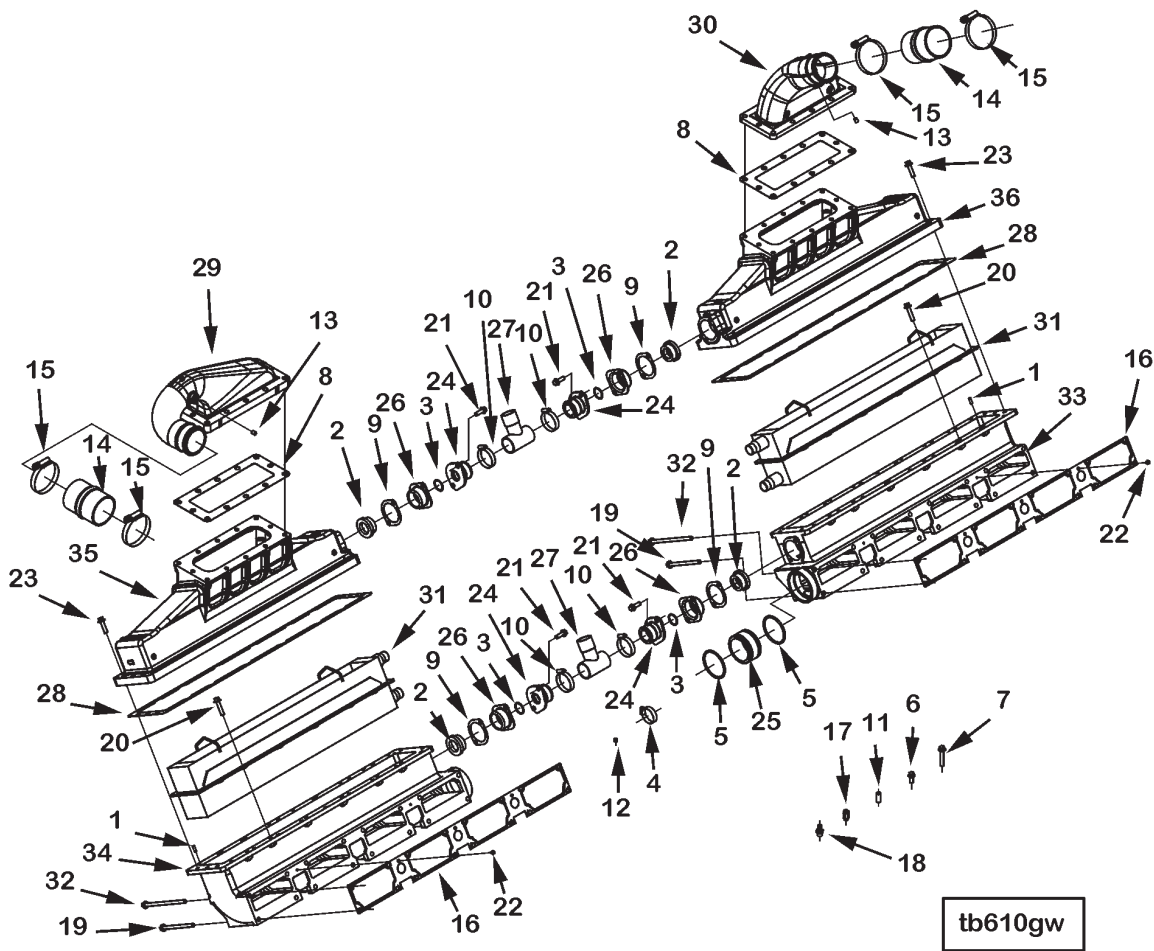
Ref No.	Part Number	Part Name	Req	Remarks
		TURBOCHARGER ARRANGEMENT OPTION TB6021		Turbocharger arrangement direction of exhaust: Side out Water Cooled Bearing Housing: Construction engines only Aspiration: Turbocharger, Aftercooled, Single stage Unique Characteristics: To be used on qsk60 single stage engines only.
1	3171181	Nut, Hexagon Flange	16	
2	3901249	Screw, Hex Flange Head Cap	4	M12 X 1.75 X 25.
3	3902460	Screw, Hex Flange Head Cap	8	M10 X 1.50 X 25.
4	3916071	Screw, Hex Flange Head Cap	16	M16 X 2.00 X 50.
5	3920447	Screw, Hex Flange Head Cap	2	M12 X 1.75 X 40.
6	4065343	Cover, Protective	2	
7	4065349	Gasket, Exh Out Connection	4	
8	4065488	Clamp, V Band	4	
9	4066008	Connection, Exhaust Outlet	2	
10	4080158	Bellows	4	



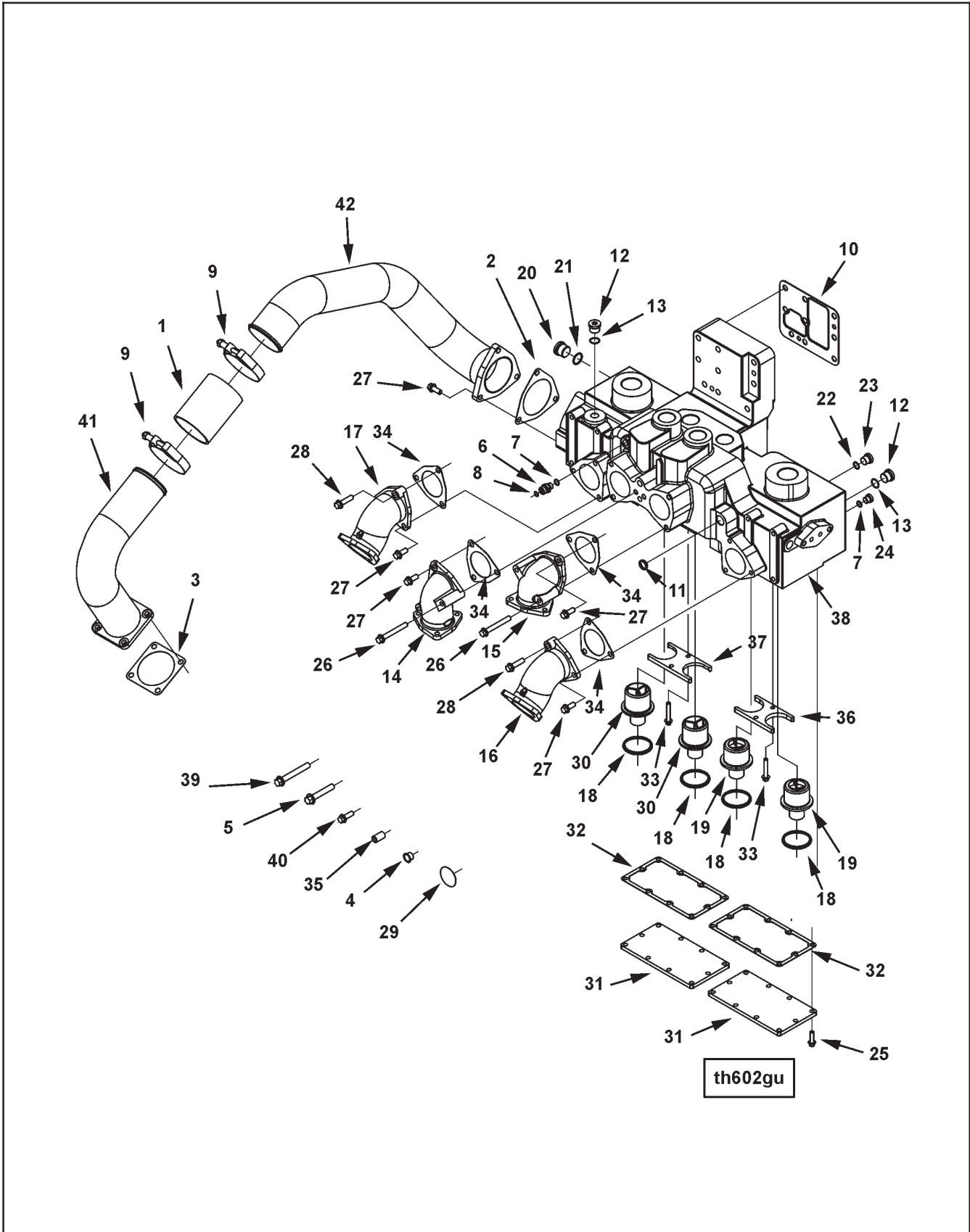
Ref No.	Part Number	Part Name	Req	Remarks
		EXHAUST MANIFOLD OPTION TB6732		Manifold, exhaust To be used on qsk60 industrial engines only.
1	205129	Dowel, Ring	8	
2	3082315	Gasket, Exhaust Manifold	16	
3	3089191	Nut, Hexagon Flange	12	
4	3089321	Spacer, Mounting	12	
5	4080141	Bellows	8	
6	3089765	Clamp, V Band	16	
7	3642649	Manifold, Exhaust	2	
8	3642647	Manifold, Exhaust	2	
9	3642654	Manifold, Exhaust	2	
10	4065896	Manifold, Exhaust	2	
11	3642648	Manifold, Exhaust	2	
12	4065900	Manifold, Exhaust	2	
13	3089959	Screw, Hex Flange Head Cap	12	
14	4065866	Screw, Hex Flange Head Cap	64	
15	3046287	Spacer, Mounting	64	
16	4101401	Lockplate	32	



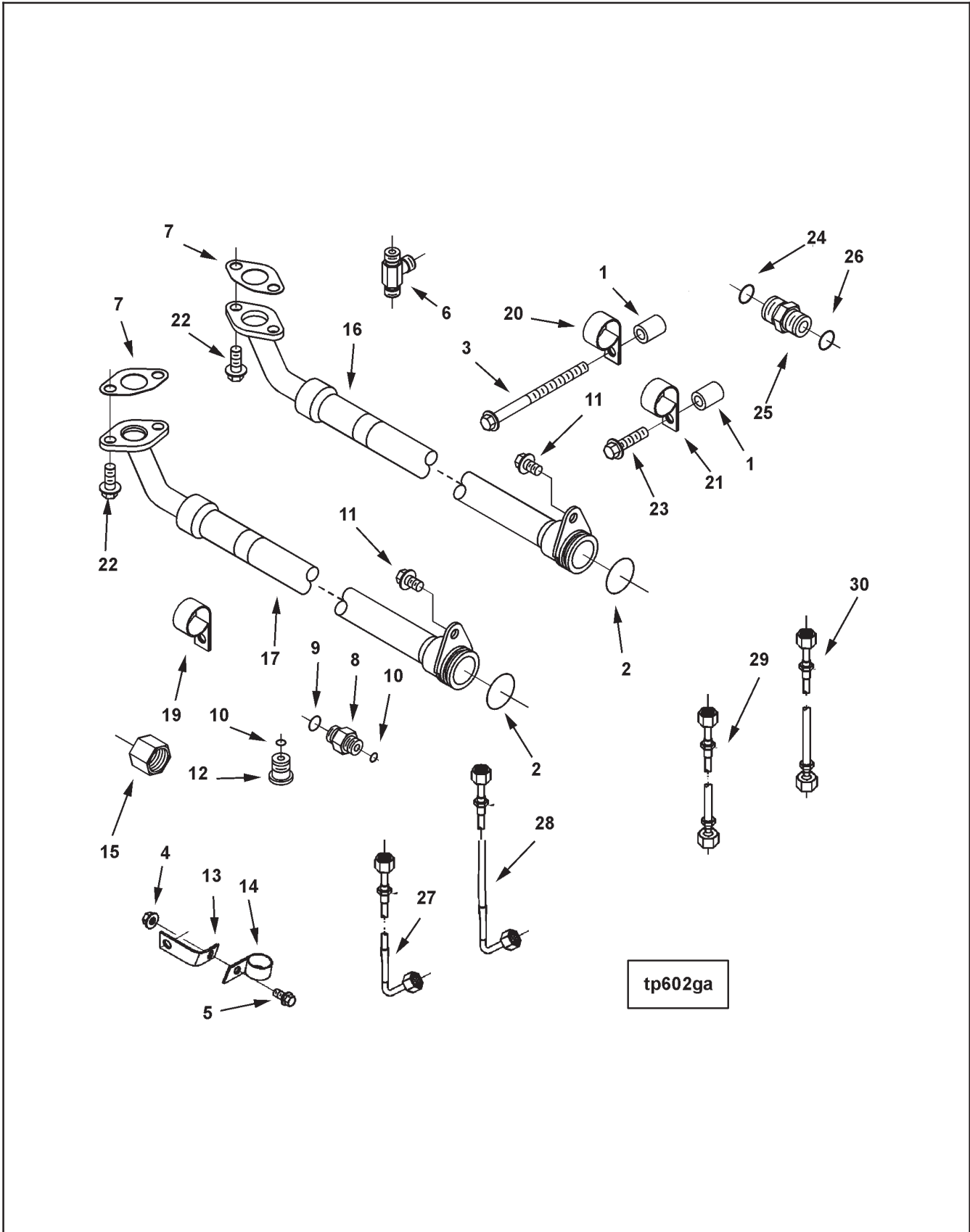
Ref No.	Part Number	Part Name	Req	Remarks
		SYSTEM,AUXILIARY COOLING OPTION TB6767		Auxiliary cooling system second pump for 2 pump/2 loop LTA system on qsk60 engines. Includes mounting hardware and plumbing. 2 1/16 - 3 Inch.
1	43828 D	Clamp, Hose	4	
2	68152 B	Clip	2	
	3089023	Plug, Threaded	1	
3	3089019	Seal, O Ring	1	
4	3089021	Plug, Threaded	1	
5	3089247	Gasket, Connection	1	
6	3332143	Gasket, Connection	1	
7	3332158	Connection, Water Inlet	1	
8	3332164	Clamp, V Band	1	
9	3332391	Gasket, Water Pump	1	
10	(3638083)	Pump, Water	1	
11	3638094	Screw, Banjo Connector	1	
12	3638095	Hose, Flexible	1	
13	3638583	Draincock	1	
	3682701	Elbow, Male Union	1	
14	3089392	Seal, O Ring	1	
15	3678912	Seal, O Ring	1	
16	3682727	Elbow, Male Union	1	
17	3902460	Screw, Hex Flange Head Cap	8	M10 X 1.50 X 25.
18	3910495	Screw, Hex Flange Head Cap	4	M12 X 1.75 X 30.
19	3963982	Washer, Sealing	2	
20	4000866	Tube, Water Bypass	1	
21	4000872	Tube, Water Inlet	1	
22	4001432	Tube, Water Inlet	1	
23	4016407	Tube, Water Transfer	1	
24	4080544	Hose, Plain	2	
25	4100829	Connection, Water Transfer	1	
26	3033248	Seal, O Ring	1	
27	3082132	Gasket, Cover Plate	1	
	4085922	Pump, Service Kit	A/R	Bearings and Seals



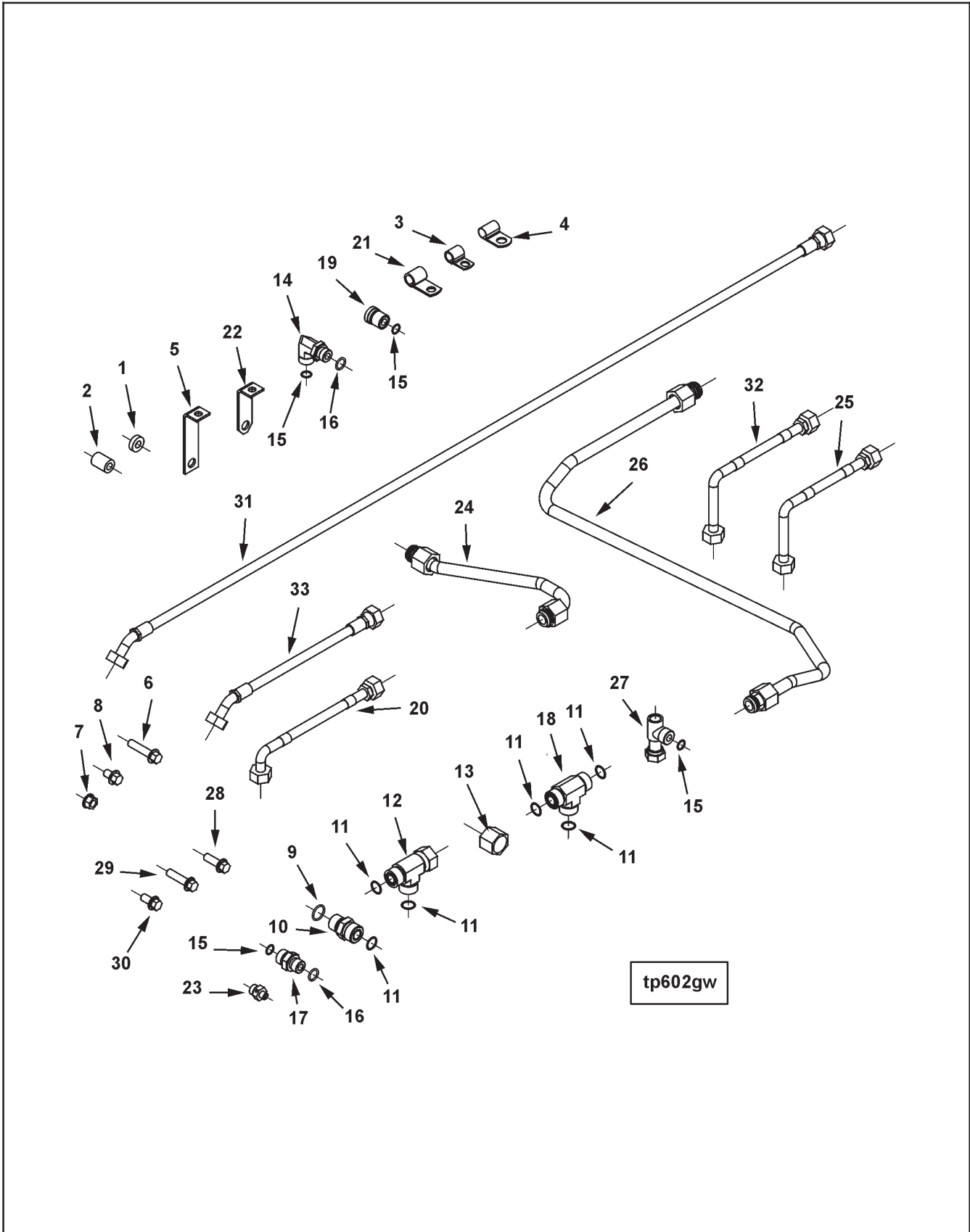
Ref No.	Part Number	Part Name	Req	Remarks
		AFTERCOOLER OPTION TB6888		Aftercooler Engine Family: Qsk60 cense: Yes Aspiration: Single stage low temp aftercooled logo included: None Intake Manifold Material: Cast Iron aftercooler cover material : Cast iron air cross over material : Cast iron.
1	131584	Pin, Roll	16	
2	206808	Seal, Grommet	8	
3	3035026	Seal, O Ring	8	
4	3043487	Clamp, Hose	4	1 1/16 - 2 Inch.
5	3082358	Seal, O Ring	4	
6	3093932	Screw, Hex Flange Head Cap	48	M10 x 1.50 x 25.
7	3102651	Screw, Hex Flange Head Cap	8	
8	3171170	Gasket, Connection	4	
9	3171287	Gasket, Connection	8	
10	3254315	Clamp, Hose	8	1 9/16 - 2 1/2 Inch.
11	3331834	Seal, Rectangular Ring	32	
12	3628604	Plug, Pipe	5	
13	3628605	Plug, Pipe	2	1/4-18
14	3641726	Hose, Hump	4	
15	4008037	Clamp, T Bolt	8	3.69-3.94 Inch
16	3637776	Gasket, Intake Manifold	4	
17	3638582	Draincock	1	
18	3638769	Nipple, Coupling	2	
19	3681390	Screw, Hex Flange Head Cap	32	
20	3900634	Screw, Hex Flange Head Cap	48	M10 X 1.50 X 50.
21	3903112	Screw, Hex Flange Head Cap	16	M10 x 1.50 x 30.
22	3921851	Screw, Hex Flange Head Cap	12	M05 x 0.80 x 8.
23	3925437	Screw, Hex Flange Head Cap	140	M10 x 1.50 x 40.
24	4017163	Flange, Connection	8	
25	4017508	Tube, Air Balance	2	
26	4066129	Retainer, Seal	8	
27	4066276	Connection, Water Transfer	4	
28	4080573	Gasket, Aftercooler Cover	4	
29	4999056	Connection, Air Crossover	2	
30	4927995	Connection, Air Crossover	2	
31	3641078	Core, Aftercooler	4	
32	4924790	Screw, Hex Flange Head Cap	32	
33	4999047	Manifold, Air Intake	2	
34	4999050	Manifold, Air Intake	2	
35	4999052	Cover, Aftercooler	2	
36	4999239	Cover, Aftercooler	2	



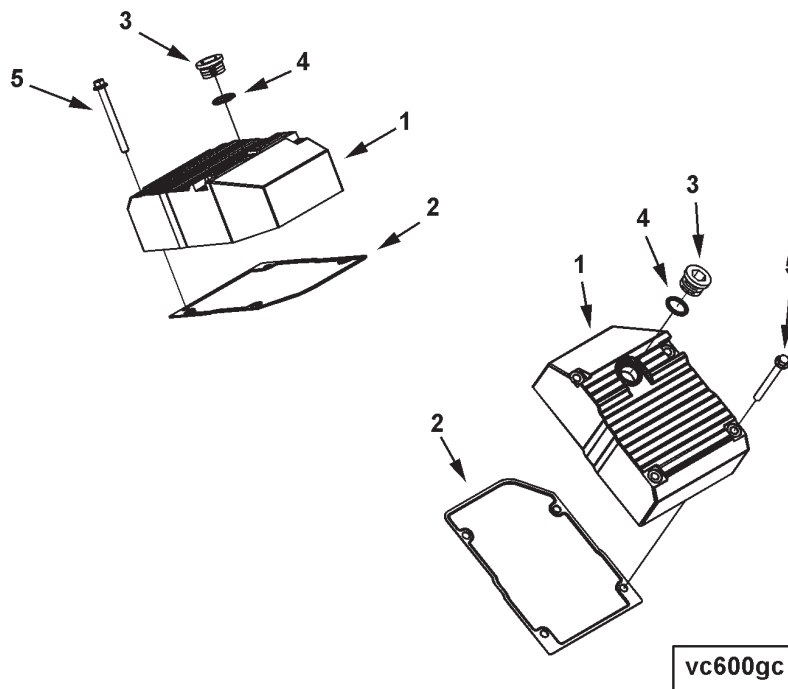
Ref No.	Part Number	Part Name	Req	Remarks
		HOUSING, THERMOSTAT OPTION TH6744		Thermostat housing Contains: Three Customer Outlet Connections one outlet: For low temperature circuit outlet I.d: 63.5mm with 3 bolt mounting flange two outlets: For high temperature circuit outlet outside diameter 76.2mm. qsk60 single stage with 2 p2 I.
1	60985	Hose, Plain	1	
2	3089318	Gasket, Flange	1	
3	3089319	Gasket, Flange	1	
4	3176512	Cover, Protective	2	
5	3278480	Screw, Hex Flange Head Cap	2	M12 X 1.75 X 70.
	3332136	Union, Male	1	
6	3332137	Union, Male	1	
7	3678912	Seal, O Ring	1	
8	3922794	Seal, O Ring	1	
9	3633972	Clamp, T Bolt	2	
10	3635353	Gasket, Thermostat Housing	1	
	3636988	Housing, Thermostat	1	
11	205401	Plug, Expansion	1	
	3089238	Plug, Threaded	3	
12	3089239	Plug, Threaded	1	
13	3089240	Seal, O Ring	1	
14	3171320	Connection, Water Outlet	1	
15	3171321	Connection, Water Outlet	1	
16	3171322	Connection, Water Outlet	1	
17	3171323	Connection, Water Outlet	1	
18	3627961	Seal, Thermostat	6	
19	3629205	Thermostat	4	
	3678611	Plug, Threaded	1	
20	3678605	Plug, Threaded	1	
21	3678606	Seal, O Ring	1	
	3678873	Plug, Threaded	1	
22	3678786	Seal, O Ring	1	
23	3678791	Plug, Threaded	1	
	3678921	Plug, Threaded	3	
7	3678912	Seal, O Ring	1	
24	3678922	Plug, Threaded	1	
25	3900630	Screw, Hex Flange Head Cap	30	M8 X 1.25 X 20.
26	3900679	Screw, Hex Flange Head Cap	4	M10 X 1.50 X 80.
27	3902460	Screw, Hex Flange Head Cap	10	M10 X 1.50 X 25.
28	3903464	Screw, Hex Flange Head Cap	2	M10 X 1.50 X 40.
29	4017240	Plug, Expansion	2	
30	4065566	Thermostat	2	
31	4066825	Cover, Thermostat Housing	3	
32	4066827	Gasket, Thermostat Housing	3	
33	4098089	Screw, Hex Flange Head Cap	6	
34	4101150	Gasket, Connection	4	
35	4905883	Spacer, Mounting	6	
36	4905885	Retainer, Thermostat	2	
37	4924463	Retainer, Thermostat	1	
38	4924516	Housing, Thermostat	1	
39	3902451	Screw, Hex Flange Head Cap	7	M12 X 1.75 X 90.
40	3903112	Screw, Hex Flange Head Cap	3	M10 x 1.50 x 30.
41	4916712	Tube, Water Bypass	1	
42	4916714	Tube, Water Bypass	1	



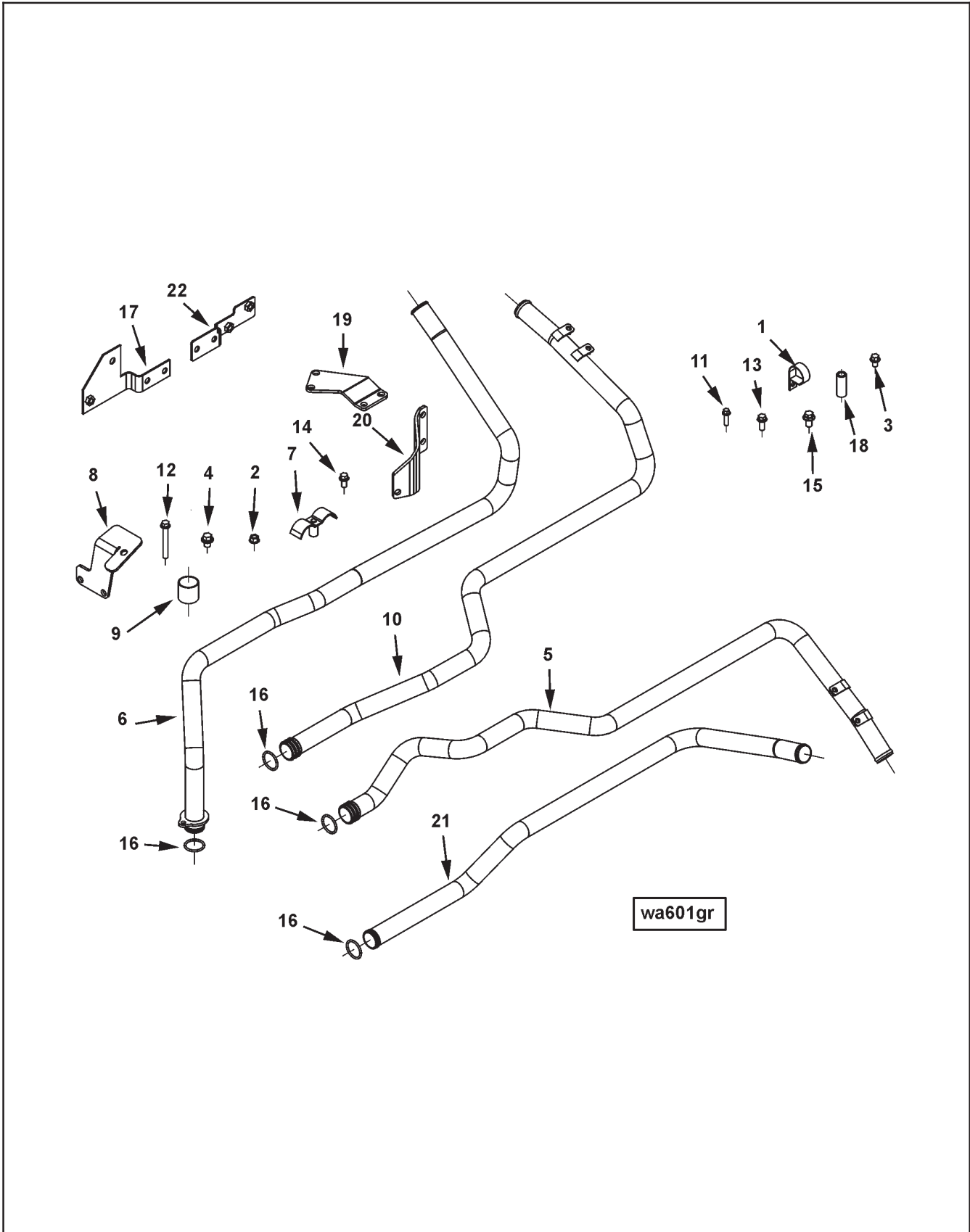
Ref No.	Part Number	Part Name	Req	Remarks
		PLUMBING, TURBOCHARGER OIL OPTION TP6712		
				Turbocharger oil plumbing
				To be used on qsk60 engines with HX82/70 turbochargers.
1	64709	Spacer, Mounting	6	
2	216187	Seal, O Ring	4	
3	3089356	Screw, Hex Flange Head Cap	4	
4	3093828	Nut, Hexagon Flange	1	M10 x 1.50 Thd
5	3093957	Screw, Hex Flange Head Cap	5	M10 X 1.50 X 16
6	3089946	Tee, Male Union	2	
7	3089955	Gasket, Connection	4	
	3090400	Union, Male	2	
8	3090419	Union, Male	1	
9	3679139	Seal, O Ring	1	
10	3922794	Seal, O Ring	1	
11	3093957	Screw, Hex Flange Head Cap	4	
	3171839	Reducer, Tube Fitting	2	
12	(3171840)	Reducer, Tube Fitting	1	
10	3922794	Seal, O Ring	1	
13	3171784	Bracket, Water Tube	1	
14	3629452	Clip	5	
15	3331855	Nut, Tube	2	
16	3410940	Hose, Flexible	2	Turbo oil drain(RB front and
17	3410941	Hose, Flexible	2	Turbo oil drain(LB front &RB
19	3629451	Clip	4	
20	3629452	Clip	8	
21	3629453	Clip	2	
22	3902460	Screw, Hex Flange Head Cap	8	M10 X 1.50 X 25.
23	3903464	Screw, Hex Flange Head Cap	2	M10 x 1.50 x 40
	3171818	Union, Male	2	
24	3089240	Seal, O Ring	1	
25	(3171819)	Union, Male	1	
26	3630740	Seal, O Ring	1	
27	3639988	Hose, Flexible	2	
28	3635129	Hose, Flexible	2	
29	3635130	Hose, Flexible	1	
30	3635131	Hose, Flexible	1	



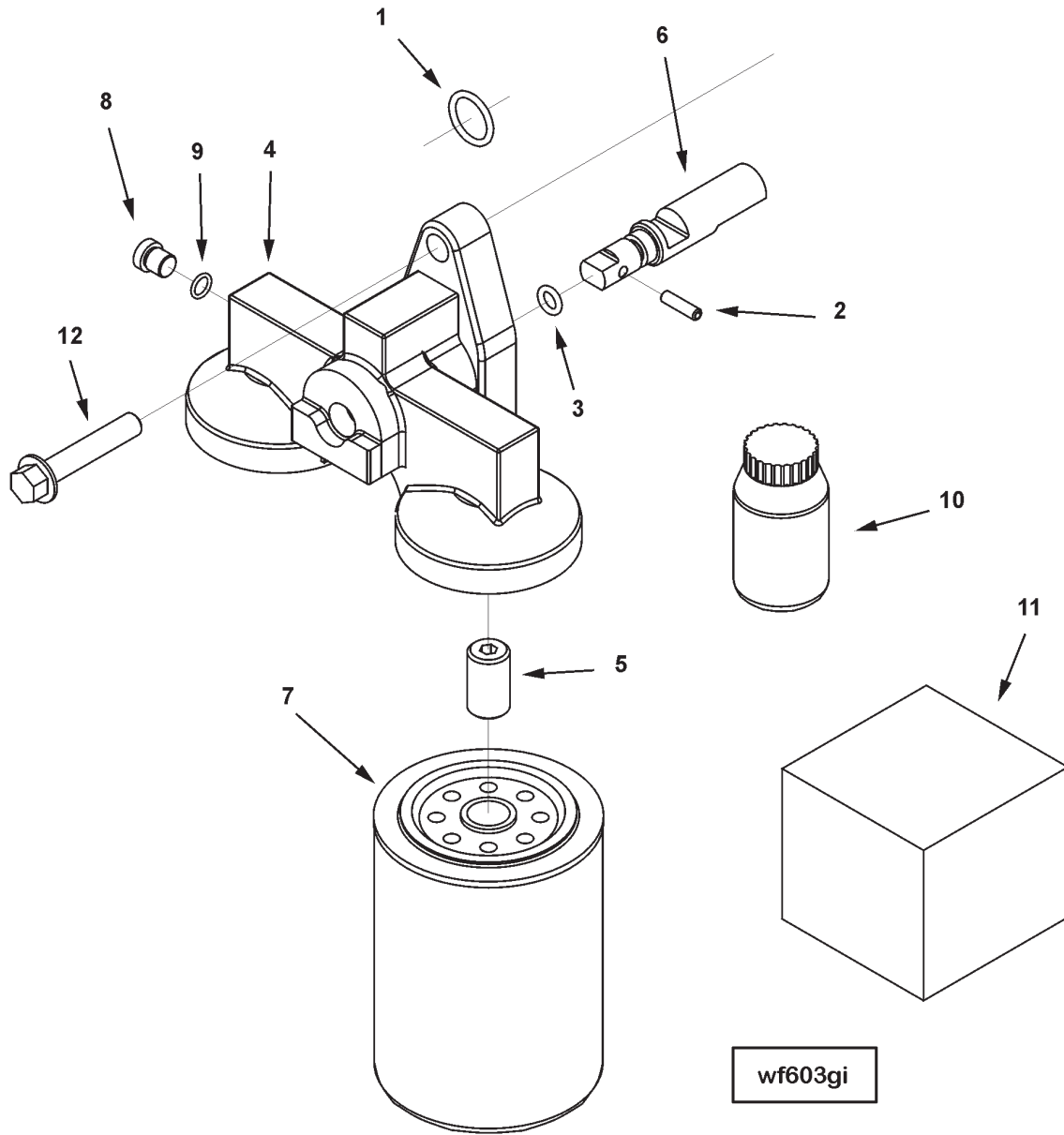
Ref No.	Part Number	Part Name	Req	Remarks
PLUMBING, TUR COOLANT				
OPTION TP6792				
1	62279	Spacer, Mounting	1	
2	64709	Spacer, Mounting	5	
3	68152	Clip	1	# 4
4	68152 B	Clip	7	
5	3642285	Brace, Tube	8	
6	3089232	Screw, Hex Flange Head Cap	5	
7	3093828	Nut, Hexagon Flange	9	
8	3093957	Screw, Hex Flange Head Cap	4	
	3171818	Union, Male	1	
9	3089240	Seal, O Ring	1	
10	3171819	Union, Male	1	
11	3630740	Seal, O Ring	1	
	3171868	Tee, Male Union	1	
12	3171891	Tee, Male Union	1	
11	3630740	Seal, O Ring	2	
13	3331855	Nut, Tube	4	
	3331872	Elbow, Male Union	4	
14	(3331837)	Elbow, Male Union	1	
15	3627695	Seal, O Ring	1	
16	3678786	Seal, O Ring	1	
	3331873	Union, Male	8	
17	(3331838)	Union, Male	1	
15	3627695	Seal, O Ring	1	
16	3678786	Seal, O Ring	1	
	3331876	Tee, Male Union	2	
18	3331857	Tee, Male Union	1	
11	3630740	Seal, O Ring	3	
	3331881	Reducer, Tube Fitting	4	
19	3331882	Reducer, Tube Fitting	1	
15	3627695	Seal, O Ring	1	
20	3410965	Hose, Flexible	2	
21	3627412	Clip	1	
22	3628554	Brace, Tube	1	
23	3634708	Draincock	4	
24	3635317	Tube, Water Drain	1	
25	3635898	Hose, Flexible	1	
26	3636415	Tube, Water Drain	1	
	3637780	Tee, Male Union	4	
15	3627695	Seal, O Ring	1	
27	3637779	Tee, Male Union	1	
28	3903112	Screw, Hex Flange Head Cap	1	M10 x 1.50 x 30.
29	3903464	Screw, Hex Flange Head Cap	2	M10 X 1.50 X 40.
30	3903990	Screw, Hex Flange Head Cap	6	M10 X 1.50 X 20.
31	4016441	Hose, Flexible	2	
32	4086653	Hose, Flexible	1	
33	4086754	Hose, Flexible	2	



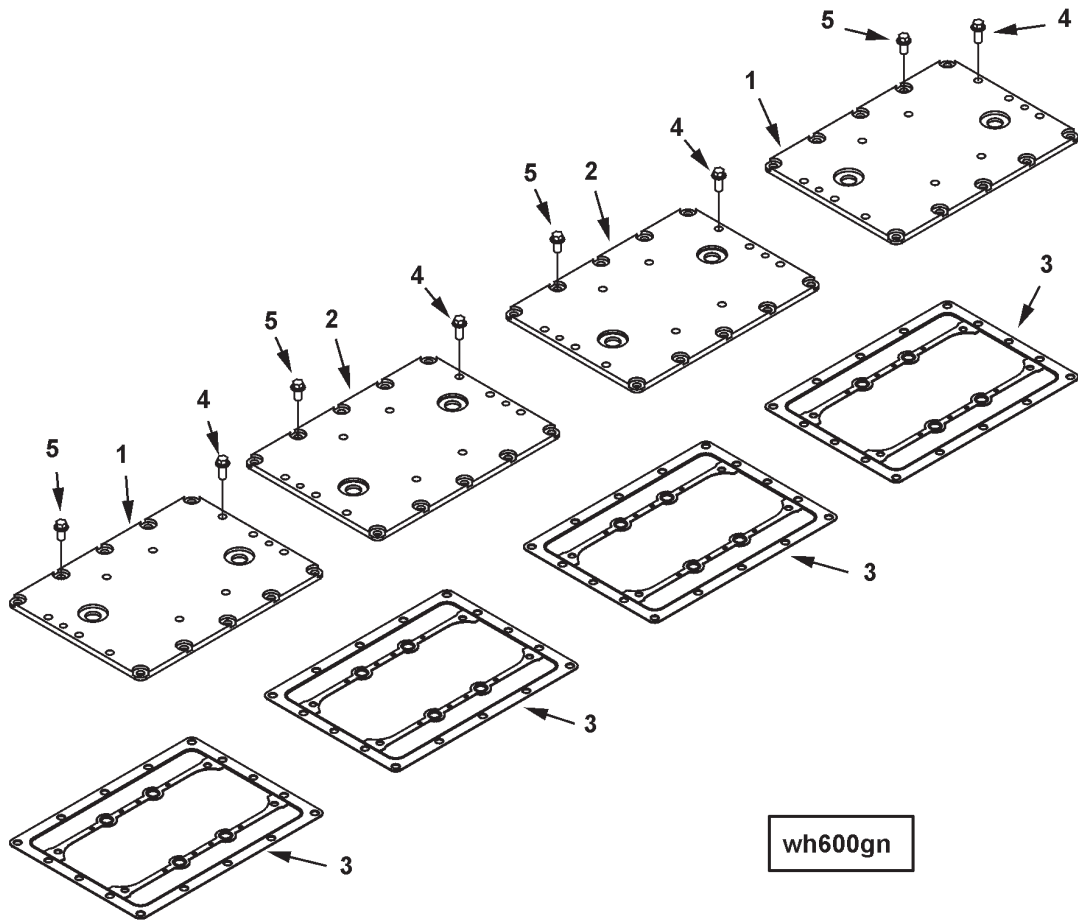
Ref No.	Part Number	Part Name	Req	Remarks
		VALVE COVER OPTION VC6008		Valve cover material/color: Cast iron Unique Characteristics: To be used on quantum qsk60 industrial engines.
1	3090495	Cover, Valve	16	
2	3332291	Gasket, Rocker Lever Cover	16	
	3678611	Plug, Threaded	16	
3	(3678605)	Plug, Threaded	1	M27x2
4	3678606	Seal, O Ring	1	
5	3914407	Screw, Hex Flange Head Cap	64	M10 X 1.50 X 100.



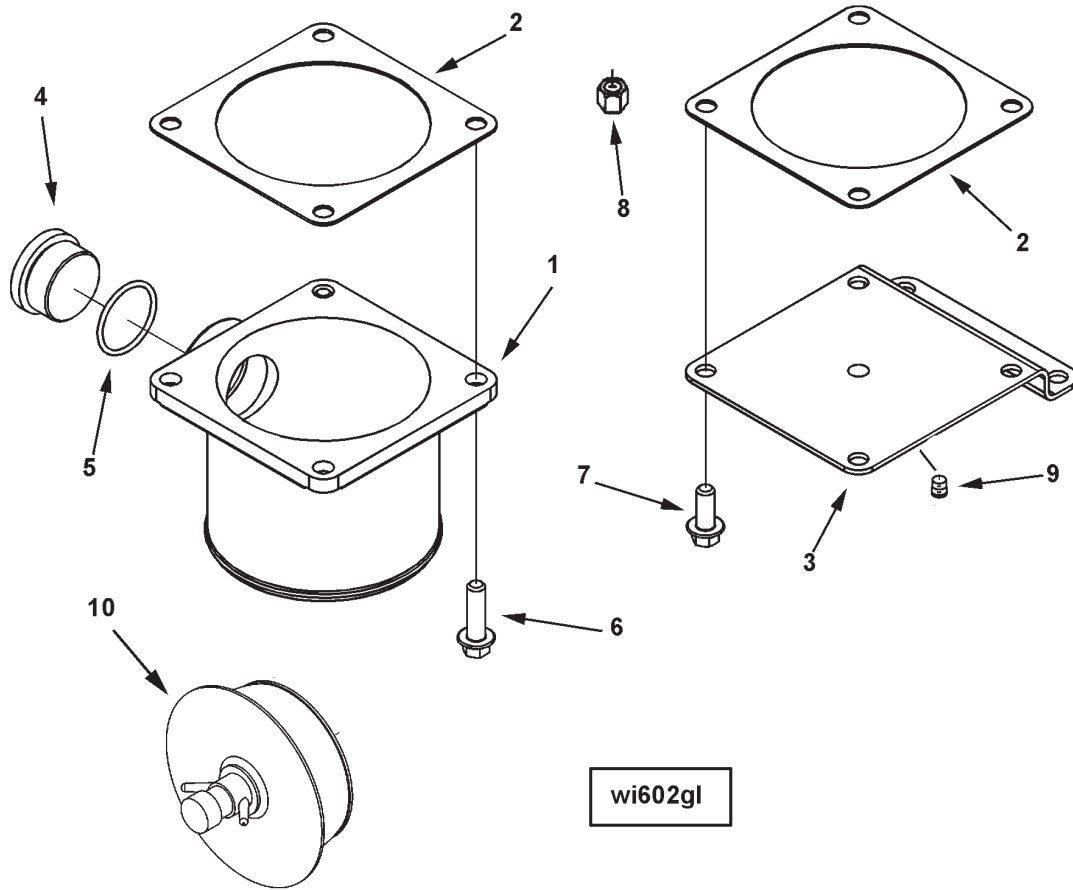
Ref No.	Part Number	Part Name	Req	Remarks
		PLUMBING,AFT WATER OPTION WA6728		Aftercooler water plumbing Engine Model: Qsk60 Single Stage and two stage with cense only.
1	68189	Clip	10	
2	3093828	Nut, Hexagon Flange	1	
3	3093957	Screw, Hex Flange Head Cap	15	
4	3279244	Screw, Hex Flange Head Cap	6	M12 X 1.75 X 16.
5	3635265	Tube, Water Transfer	1	
6	3635440	Tube, Water Transfer	1	
7	3637131	Clamp, Retaining	1	
8	3637143	Bracket, Connection	1	
9	3637402	Sleeve, Wear	2	
10	3637496	Tube, Water Transfer	1	
11	3900630	Screw, Hex Flange Head Cap	1	M8 X 1.25 X 20.
12	3900679	Screw, Hex Flange Head Cap	1	M10 X 1.50 X 80.
13	3902460	Screw, Hex Flange Head Cap	2	M10 X 1.50 X 25.
14	3903990	Screw, Hex Flange Head Cap	13	M10 X 1.50 X 20.
15	3913372	Screw, Hex Flange Head Cap	2	M12 X 1.75 X 20.
16	4066112	Seal, O Ring	8	
17	4066204	Bracket, Water Tube	1	
18	4080242	Spacer, Mounting	1	
19	4080243	Bracket, Water Tube	2	
20	4080251	Bracket, Connection	1	
21	4100863	Tube, Water Transfer	1	
22	4100991	Bracket, Water Tube	1	



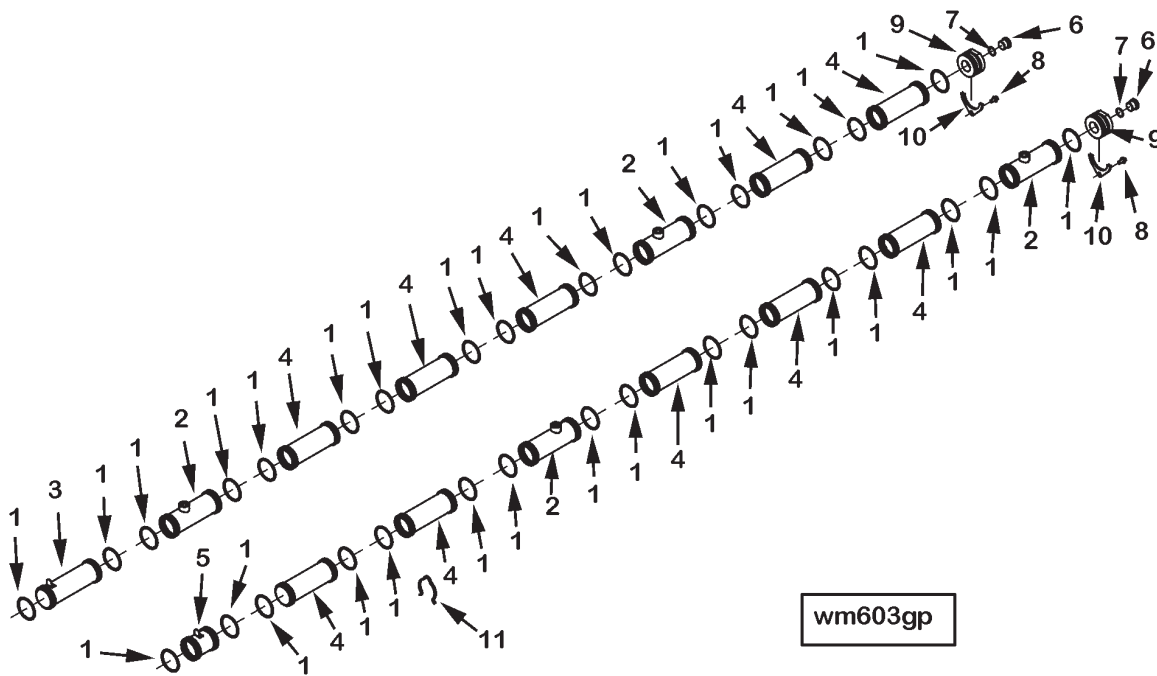
Ref No.	Part Number	Part Name	Req	Remarks
		RESISTOR,CORROSION OPTION WF6049		Corrosion resistor type of element: Replacable spin-on cartridge length: 5.55in (141mm) mounting location: On LB end of thermostat housing Number Of Filter Heads: 1 Number Of DCA Units: Two 15 Units type of mounting: Integral to thermostat housing. Type of plumbing: None shut-off valve location: Integral units of corrosion inhibitor in filters: 30 units of corrosion inhibitor in kit: 420 service bulletin number: 3666132 if antifreeze is not available. Suitable use on engines with coolant systems between 530 and 1050liter capacities (140 and 280 US gallons).
1	145528	Seal, O Ring	4	
	3089299	Head, Corrosion Resistor	1	
2	8306	Pin, Roll	1	
3	70415	Seal, O Ring	1	
4	3089298	Head, Corrosion Resistor	1	
5	3175768	Adapter, Filter Head	1	
6	3177040	Shaft, Shutoff Valve	1	
7	3100308	Resistor, Corrosion	2	Buy from Cummins Filtration
	3678923	Plug, Threaded	1	M10 x 1.00 x 9.5
8	(3678924)	Plug, Threaded	1	M10 X 1 X 13.5
9	3678925	Seal, O Ring	1	
10	3888312	Inhibitor, Corrosion	1	Buy from Cummins Filtration
11	3888638	Additive, Ati Coolant	2	Buy from Cummins Filtration
12	3910901	Screw, Hex Flange Head Cap	2	M10 x 1.50 x 55



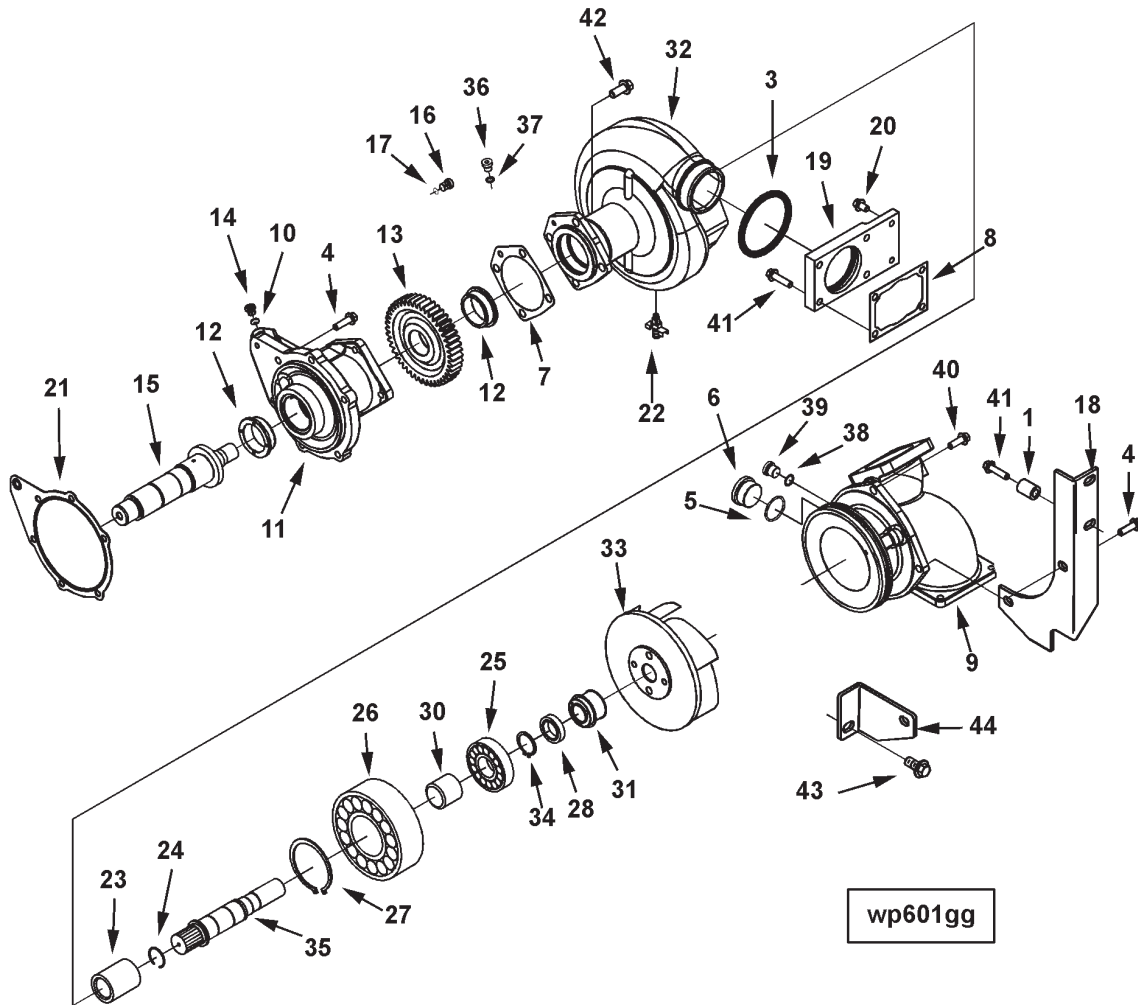
Ref No.	Part Number	Part Name	Req	Remarks
		PLUMBING,OIL COOLER WATER OPTION WH6718		Oil cooler water plumbing header covers and mounting to be used on qsk60 industrial single stage engines only.
1	3332001	Cover, Water Header	2	
2	3332002	Cover, Water Header	2	
3	3410850	Gasket, Water Header Cover	4	
4	3902460	Screw, Hex Flange Head Cap	40	M10 X 1.50 X 25.
5	3903990	Screw, Hex Flange Head Cap	40	M10 X 1.50 X 20.



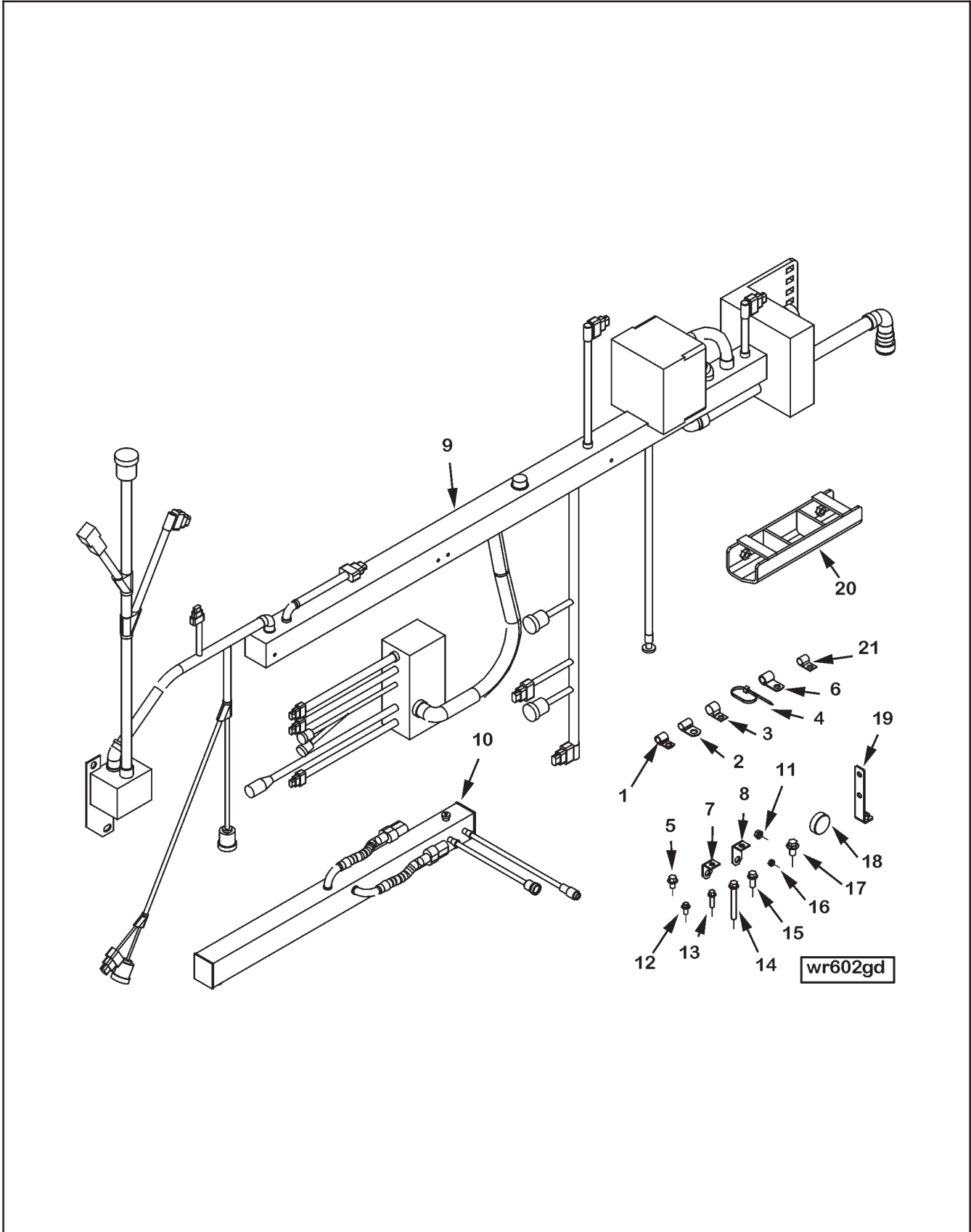
Ref No.	Part Number	Part Name	Req	Remarks
		CONNECTION, WATER INLET OPTION WI6017		Water inlet connection straight water inlet connection For engine cooling water pump. Inlet outside diameter: 127mm (5.00inches) inlet inside diameter: 117mm (4.62inches) Unique Characteristics: Engine interface: 4 bolt flange.
1	3171098	Connection, Water Inlet	1	
2	3179035	Gasket, Wtr Trf Connection	2	
3	3631921	Cover, Water Transfer	1	
	3678611	Plug, Threaded	1	
4	(3678605)	Plug, Threaded	1	
5	3678606	Seal, O Ring	1	
6	3902460	Screw, Hex Flange Head Cap	4	M10 x 1.50 x 25
7	3903990	Screw, Hex Flange Head Cap	6	M10 X 1.50 X 20.
8	3902662	Nut, Hexagon Flange	2	M10 x 1.50
9	3628605	Plug, Pipe	1	1/4-18
10	4100771	Plug, Orifice	1	



Ref No.	Part Number	Part Name	Req	Remarks
		MANIFOLD, WATER OPTION WM6716		Manifold, water provision to plumb turbo-charger: No single stage water cooled turbocharger bearing housing: No.
1	3081695	Seal, O Ring	34	
2	3637819	Tube, Water Transfer	4	
3	3637822	Tube, Water Transfer	1	
4	3637825	Tube, Water Transfer	10	
5	3637826	Tube, Water Transfer	1	
	3678611	Plug, Threaded	2	
6	3678605	Plug, Threaded	1	
7	3678606	Seal, O Ring	1	
8	3900629	Screw, Hex Flange Head Cap	2	M8 X 1.25 X 16.
9	4100845	Plug, O Ring	2	
10	4100846	Clamp, Retaining	2	
11	4100847	Ring, Retaining	1	



Ref No.	Part Number	Part Name	Req	Remarks
		WATER PUMP OPTION WP6012		Water pump engine cooling water pump internal or external: External QSK45 engines: "TBD" US gallons/min at 1900 RPM with 5 PSI external restriction. QSK60 engines: Approx. 585 US gallons/min at 1900 RPM with 5 PSI external restriction. For use on QSK45 and QSK60 engines.
1	64709	Spacer, Mounting	1	
3	3007512	Seal, O Ring	1	
4	3089016	Screw, Hex Flange Head Cap	7	
	3089023	Plug, Threaded	1	
5	3089019	Seal, O Ring	1	
6	(3089021)	Plug, Threaded	1	
7	3089261	Gasket, Water Pump	1	
8	3089262	Gasket, Water Pump	1	
9	3089731	Connection, Water Inlet	1	
	4066277	Support, Water Pump	1	
10	3634019	Plug, Expansion	1	
	(4066278)	Support, Water Pump	1	
11	4066279	Support, Water Pump	1	
12	3089409	Bushing	2	
13	3089100	Gear, Accessory Drive	1	
14	3089412	Plug, Orifice	1	
15	3332037	Shaft, Water Pump	1	
	3678923	Plug, Threaded	1	M10 x 1.00 x 9.5
16	(3678924)	Plug, Threaded	1	M10 X 1 X 13.5
17	3678925	Seal, O Ring	1	M10 x 1.00
18	4007215	Bracket, Connection	1	
19	4016906	Adapter, O Ring	1	
20	3903990	Screw, Hex Flange Head Cap	2	M10 x 1.50 x 20
21	3332299	Gasket, Water Pump Support	1	
	(3635811)	Pump, Water	1	
22	3638582	Draincock	1	
23	206195	Sleeve, Spline Coupling	1	
24	206196	Ring, Retaining		
	(3635786)	Pump, Water	1	
25	S 16054	Bearing, Ball	1	
26	S 16069	Bearing, Ball	1	
27	70183	Ring, Retaining	1	
28	3634146	Seal, Oil	1	
30	3030487	Spacer, Bearing	1	
31	3634007	Seal, Water Pump	1	
32	3635712	Body, Water Pump	1	
33	3172019	Impeller, Water Pump	1	
34	3175573	Ring, Retaining	1	
35	3634049	Shaft, Water Pump	1	
	3678610	Plug, Threaded	2	M12 x 1.50
36	(3678602)	Plug, Threaded	1	M12 x 1.50 THD
37	3678603	Seal, O Ring	1	
	3678873	Plug, Threaded	1	
38	3678786	Seal, O Ring	1	
39	(3678791)	Plug, Threaded	1	
40	3903112	Screw, Hex Flange Head Cap	2	M10 x 1.50 x 30
41	3903464	Screw, Hex Flange Head Cap	5	M10 x 1.50 x 40
42	3910495	Screw, Hex Flange Head Cap	4	M12 x 1.75 x 30
43	3901249	Screw, Hex Flange Head Cap	1	M12 x 1.75 x 25
44	4007216	Bracket, Connection	1	



Ref No.	Part Number	Part Name	Req	Remarks
		HARNES,ETR CNT MDL WRG OPTION WR6766		Electronic control module wiring harness cense: Yes flywheel size: SAE "0" variable viscous cluth: Yes For use on qsk60 single and two stage Industrial engines.
1	68152	Clip	1	
2	68152 B	Clip	3	
3	69911 A	Clip	1	
4	3062329	Clamp, Wire Tie	1	
5	3093957	Screw, Hex Flange Head Cap	1	
6	3627412	Clip	1	
7	3628553	Brace, Tube	1	
8	3628585	Brace, Tube	1	
9	3637068	Harness, Etr Cnt Mdl Wrg	1	
10	3639664	Harness, Wiring	1	
11	3900589	Nut, Hexagon Flange	2	M8 X 1.25
12	3900629	Screw, Hex Flange Head Cap	2	M8 X 1.25 X 16
13	3900630	Screw, Hex Flange Head Cap	1	M8 x 1.25 x 20
14	3900679	Screw, Hex Flange Head Cap	2	M10 X 1.50 X 80.
15	3902460	Screw, Hex Flange Head Cap	2	M10 x 1.50 x 25
16	3906216	Nut, Hexagon Flange	1	M6 X 1.00
17	3913372	Screw, Hex Flange Head Cap	1	M12 x 1.75 x 20
18	4017050	Cover, Protective	3	
19	4066935	Brace, Wiring	1	
20	4067011	Bracket, Wiring Retainer	1	
21	4100552	Clip	2	

Group No. 17.02

Gasket Sets

Ref No.	Part Number	Part Name	Req	Remarks
	4025140	SET,UPPER ENGINE GASKET Set,Upper Engine Gasket When you order this now it comes in several sets.	1	

Gasket Sets

Ref No.	Part Number	Part Name	Req	Remarks
	4089148	<p>SET, LOWER ENGINE GASKET Set, Lower Engine Gasket When you order this you will get in several sets now. It is broken down.</p>	1	

Option Index

Option No.	Description	Page No.
AD6020	Accessory Drive Pulley	3
AP6081	APPROVAL,AGENCY	4
BB6708	Cylinder Block Plumbing	5
BB6714	Cam Follower Lever	15
	Crankshaft Assembly	9
	Cylinder Block	7
	Gear Housing	13
	Idler Gear	11
BR6768	Breather,Crankcase	17
CB6701	Engine Barring Drive	18
CC6701	Compressor Coolant Plumbin	19
CF6007	Mounting,Ref Compressor	21
CM6715	Cam Follower Cover	23
CO6702	Oil Rep System Plumbing	24
CP6017	Air Compressor	25
DA6147	Vibration Damper	27
DF6003	Front Gear Train Accessory	29
DF6701	Front Gear Train Accessory	30
DO6631	SOFTWARE,CUS INTERFACE	31
DP6702	Fuel Pump Drive	33
EA6743	Accessories,Electrical	35
ED6016	Dataplate,Customer	36
EE6074	Alternator	37
EH6015	Alternator Mounting	39
EH6707	Alternator Drive Pulley	40
EI6746	Monitor,Electronic Engine	43
EM6085	Front Engine Support	45
FA6192	Drive,Fan	47
FA6730	Mounting,Fan Drive	50
FCBS79	CALIBRATION,FUEL PUMP	51
FF6074	Fuel Filter	53
FF6765	Fuel Filter Plumbing	54
FH6044	Flywheel Housing	57
FH6702	Flywheel Housing Plumbing	58
FP6864	Pump,Fuel	61
FP6869	Fuel Pump Coupling	65
FR6329	RATING,FUEL	66
FT60784	Plumbing,Fuel	69
FW6040	Flexplate	71
GG6815	Cover,Front Gear	73
GG6827	Mounting,Gear Cover	74
LA6706	Bracket,Lifting	77
LC6702	Engine Oil Cooler	78
LF6068	Full Flow Oil Filter	81
LG6060	Location,Oil Level Gauge	83
LP6704	Lube Oil Pump	85
OB67102	COVER,HAND HOLE	87
OP6089	Pan,Oil	89
PH6722	Engine Control Module Plum	90
PH6768	Module,Engine Control	93
PL6805	Primer,Engine Lubricating	97
PP2848	Camshaft	100
	Connecting Rod And Piston	99
	Cylinder Head	103
	Injector	104

Option No.	Description	Page No.
PP6758	Turbocharger	107
PP6940	Plumbing,Injector	109
PU6704	Accessory Drive Pulley	110
RL6712	Lever,Rocker	113
RP6002	Radiator Plumbing	114
SC60486	SOFTWARE,CALIBRATION	115
SD6004	Coolant Level Sensor	116
SG6095	Guard,Alternator	119
SK6703	Bracket, Shipping	120
SM6708	Starting Motor Mounting	123
ST6182	Motor,Starting	124
TB6021	Turbocharger Arrangement	127
TB6732	Exhaust Manifold	129
TB6767	System,Auxiliary Cooling	131
TB6888	Aftercooler	133
TH6744	Housing,Thermostat	135
TP6712	Plumbing,Turbocharger Oil	137
TP6792	Plumbing,Tur Coolant	139
VC6008	Valve Cover	141
WA6728	Plumbing,Aft Water	143
WF6049	Resistor,Corrosion	145
WH6718	Plumbing,Oil Cooler Water	147
WI6017	Connection,Water Inlet	149
WM6716	Manifold,Water	151
WP6012	Water Pump	153
WR6766	Harness,Etr Cnt Mdl Wrg	155

INDEX

Part No.	Description	Page No.	Part No.	Description	Page No.
S 150	Screw, Hexagon Head Cap	39	3021618	Plunger, Prs Regulator	81
S 302	Key, Offset Woodruff	100	3028349	Seal, O Ring	113
S 306	Key, Plain Woodruff	18, 61	3028552	Body, Bypass Valve	81
S 607	Washer, Lock	93	3030487	Spacer, Bearing	153
S 2268	Fitting, Grease	45	3033248	Seal, O Ring	131
S 2286	Screw, Drive	61, 93	3033629	Pin, Roll	27, 57
S 16054	Bearing, Ball	153	3033800	Washer, Plain	119
S 16069	Bearing, Ball	153	3035026	Seal, O Ring	13, 133
8306	Pin, Roll	145	3035083	Isolator, Vibration	119
43828 D	Clamp, Hose	17, 131	3035084	Isolator, Vibration	119
60985	Hose, Plain	135	3035228	Seal, O Ring	61
62279	Spacer, Mounting	139	3036115	Cover, Protective	27
64709	Spacer, Mounting	137, 139, 153	3037537	Seal, O Ring	49, 61, 69
66747	Spacer, Mounting	47	3040815	Plug, Threaded	61
67950	Clip	97	3040816	Plug, Threaded	61
68138	Connector, Male	45	3040817	Seal, O Ring	61
68152	Clip	35, 47, 139, 155	3040818	Plug, Threaded	61
68152 B	Clip	35, 47, 131, 139, 155	3040819	Plug, Threaded	61
68189	Clip	143	3042542	Seal, O Ring	61, 93
68425	Clip	45	3042619	Nipple, Coupling	61, 69
68445	Pin, Groove	7	3042620	Nipple, Coupling	61, 69
69558	Dowel, Pin	99	3043487	Clamp, Hose	133
69911 A	Clip	47, 155	3045012	Plug, Injector Orifice	63
70183	Ring, Retaining	153	3045045	Plug, Injector Orifice	61
70415	Seal, O Ring	145	3045986	Seal, O Ring	63
70700	Spring, Compression	61	3046200	Spider, Jaw Coupling	65
105375	Nameplate	61, 93	3046287	Spacer, Mounting	129
107460	Clip	47, 90	3046943	Seal, O Ring	61
118226	Screw, Socket Head Cap	93	3048625	Seal, Oil	49
129768	Spring, Valve	93	3048626	Bearing, Roller	49
129839	Shield, Shutoff Valve	93	3056508	Screw, Drive	4
129888	Seal, Rectangular Ring	93	3062329	Clamp, Wire Tie	35, 155
131584	Pin, Roll	27, 71, 133	3063166	Seal, O Ring	97
145528	Seal, O Ring	145	3066855	Dataplate	43, 93
169834	Clip	18	3066914	Seal, O Ring	63
173086	Gasket, Injector	61, 63	3071719	Shim	63
180371	Clip	35	3072853	Seal, O Ring	109
196057	Disc, Valve	93	3075658	Seal, O Ring	53, 97
203933	Plug, Expansion	103, 113	3079743	Dowel, Ring	113
205129	Dowel, Ring	129	3080223	Cap, Fuel Pump Filter	61
205168	Washer, Plain	49	3081489	Seal, Oil	7
205401	Plug, Expansion	103, 135	3081514	Bushing	113
206090	Ring, Retaining	18	3081534	Collet, Valve	103
206091	Gear, Engine Barring	18	3081695	Seal, O Ring	151
206092	Spring, Compression	18	3082057	Bushing	11
206195	Sleeve, Spline Coupling	153	3082121	Bearing, Thrust	11
206196	Ring, Retaining	153	3082132	Gasket, Cover Plate	30, 131
206391	Screw, Twelve Point Cap	47	3082315	Gasket, Exhaust Manifold	129
206405	Plate, Cover	30	3082340	Bearing, Main	9
206506	Nut, Lock	49	3082341	Bearing, Main	9
206808	Seal, Grommet	133	3082342	Bearing, Main	9
206904	Key, Plain Woodruff	9	3082343	Bearing, Main	9
209773	Clamp, Hose	17	3082344	Bearing, Main	9
212161	Seal, O Ring	78	3082346	Bearing, Main	9
216187	Seal, O Ring	137	3082347	Bearing, Main	9
216848	Clip	47	3082348	Bearing, Main	9
3007512	Seal, O Ring	153	3082349	Bearing, Main	9
3007635	Plug, Expansion	103	3082350	Bearing, Main	9
3010410	Cover, Access Hole	57	3082358	Seal, O Ring	133
3010518	Clamp, Hose	17	3082415	Ring, Retaining	15
3010635	Adapter, Filter Head	53	3082416	Shaft, Cam Follower	15
3014668	Seal, D Ring	7	3082417	Shaft, Cam Follower	15
3018920	Clamp, Wire Tie	36	3082427	Screw, Hex Flange Head	
3018924	Wire, Ground	124		Cap	11, 15
3021420	Solenoid	93	3082437	Bearing, Camshaft Thrust	100
			3082438	Dowel, Ring	7, 15
			3085709	Seal, O Ring	47, 69, 93

INDEX

Part No.	Description	Page No.	Part No.	Description	Page No.
3085972	Bushing	113	3089281	Retainer, Gear	11
3085973	Bushing	113	3089296	Screw, Hex Flange Head	
3085978	Ball, Rocker Lever	113		Cap	73
3085980	Socket, Rocker Lever	113	3089298	Head, Corrosion Resistor	145
3088385	Ring, Liner Seal	7	3089299	Head, Corrosion Resistor	145
3088386	Ring, Liner Seal	7	3089314	Shaft, Idler	11
3088387	Ring, Liner Seal	7	3089315	Bushing	11
3088388	Ring, Liner Seal	7	3089316	Screw, Hex Flange Head	
3089016	Screw, Hex Flange Head			Cap	23, 35
	Cap	29, 33, 85, 153	3089318	Gasket, Flange	135
3089019	Seal, O Ring	53, 89, 97, 131,	3089319	Gasket, Flange	135
		153	3089320	Retainer, Gear	11
3089021	Plug, Threaded	53, 89	3089321	Spacer, Mounting	107, 129
3089021	Plug, Threaded	131	3089324	Screw, Hex Flange Head	
3089021	Plug, Threaded	153		Cap	18, 69, 123
3089023	Plug, Threaded	53, 89, 131,	3089327	Dowel, Pin	57
		153	3089328	Screw, Hex Flange Head	
3089081	Gear, Camshaft	100		Cap	57
3089083	Shaft, Idler	11	3089330	Plunger, Prs Regulator	57
3089084	Shaft, Idler	11	3089356	Screw, Hex Flange Head	
3089087	Gear, Idler	11		Cap	137
3089089	Gear, Idler	11	3089365	Screw, Hex Flange Head	
3089090	Gear, Idler	11		Cap	120
3089091	Gear, Idler	11	3089378	Dowel, Pin	7, 13, 73
3089093	Adapter, Crankshaft	27	3089379	Dowel, Diamond	7, 13, 73
3089100	Gear, Accessory Drive	29, 33, 153	3089392	Seal, O Ring	47, 49, 131
3089102	Support, Fuel Pump	33	3089407	Washer, Plain	33
3089103	Support, Fuel Pump	33	3089409	Bushing	29, 33, 153
3089104	Shaft, Idler	11	3089412	Plug, Orifice	153
3089105	Gear, Idler	11	3089415	Retainer, Shaft	29
3089107	Bushing	11	3089454	Bushing	73
3089121	Gear, Idler	11	3089498	Key, Square	11
3089122	Gear, Idler	11	3089499	Screw, Hex Flange Head	
3089123	Gear, Idler	11		Cap	104
3089127	Screw, Hex Flange Head		3089501	Seal, Rectangular Ring	109
	Cap	27, 71	3089555	Washer, Plain	33
3089128	Screw, Hex Flange Head		3089563	Screw, Hex Flange Head	
	Cap	27		Cap	47, 113
3089173	Bushing	7	3089570	Spacer, Crankshaft	27
3089177	Socket, Rocker Lever	113	3089592	Screw, Hex Flange Head	
3089191	Nut, Hexagon Flange	129		Cap	73
3089192	Screw, Hex Flange Head		3089715	Shaft, Rocker Lever	113
	Cap	7	3089716	Shaft, Rocker Lever	113
3089193	Screw, Twelve Point Cap	113	3089731	Connection, Water Inlet	153
3089194	Screw, Twelve Point Cap	77, 113	3089765	Clamp, V Band	129
3089201	Dowel, Ring	7	3089797	Assy, Crankshaft	9
3089214	Bushing	11	3089869	Screw, Twelve Point Cap	9
3089217	Roller, Cam Follower	15	3089886	Seal, Rectangular Ring	85
3089232	Screw, Hex Flange Head		3089891	Seal, Rectangular Ring	89
	Cap	23, 139	3089916	Separator, Fuel Water	53
3089234	Screw, Hex Flange Head		3089946	Tee, Male Union	137
	Cap	85	3089955	Gasket, Connection	107, 137
3089238	Plug, Threaded	57, 58, 61, 73,	3089959	Screw, Hex Flange Head	
		81, 89, 135		Cap	129
3089239	Plug, Threaded	57, 58, 61, 73,	3089963	Crankshaft, Engine	9
		81, 89	3090007	Screw, Rkr Lever Adjusting	113
3089239	Plug, Threaded	135	3090010	Roller, Cam Follower	15
3089240	Seal, O Ring	57, 58, 61, 73,	3090171	Clamp, Tube	13
		81, 89, 95, 135,	3090400	Union, Male	7, 137
		137, 139	3090419	Union, Male	7, 137
3089247	Gasket, Connection	131	3090450	Ring, Oil Piston	99
3089251	Ring, Retaining	99	3090460	Ring, Compression Piston	99
3089259	Screw, Hex Flange Head		3090469	Valve, Exhaust	103
	Cap	11	3090495	Cover, Valve	141
3089261	Gasket, Water Pump	153	3090769	Screen, Filter	61
3089262	Gasket, Water Pump	153	3093805	Screw, Hex Flange Head	
3089271	Nut, Lock	78		Cap	49

INDEX

Part No.	Description	Page No.	Part No.	Description	Page No.
3093828	Nut, Hexagon Flange	137, 139, 143	3279244	Screw, Hex Flange Head	
3093932	Screw, Hex Flange Head			Cap	143
	Cap	133	3281178	Clip	35
3093936	Screw, Hex Flange Head		3282074	Nut, Hexagon Flange	95
	Cap	93	3282081	Screw, Hex Flange Head	
3093956	Screw, Hex Flange Head			Cap	97
	Cap	35	3328589	Seal, O Ring	61, 69
3093957	Screw, Hex Flange Head		3329676	Valve, Pressure Relief	63
	Cap	17, 47, 109, 137, 139, 143, 155	3329693	Insert, Threaded	93
			3330202	Seal, O Ring	35, 61, 93
3094584	Flange	39	3330600	Actuator, Etr Fuel Control	61
3096153	Sensor, Temperature	95	3330602	Actuator, Etr Fuel Control	93
3098771	Module, Electronic Control	43	3330657	Body, Control Valve	93
3100308	Resistor, Corrosion	145	3330658	Body, Control Valve	93
3102651	Screw, Hex Flange Head		3331029	Actuator, Etr Fuel Control	61
	Cap	133	3331031	Actuator, Etr Fuel Control	93
3171098	Connection, Water Inlet	149	3331752	Retainer, Valve Spring	103
3171103	Link, Adjusting	21	3331818	Elbow, Male Union	93
3171170	Gasket, Connection	133	3331819	Elbow, Male Union	93
3171181	Nut, Hexagon Flange	47, 127	3331821	Gasket, Fuel Pump	65
3171287	Gasket, Connection	133	3331834	Seal, Rectangular Ring	133
3171320	Connection, Water Outlet	135	3331837	Elbow, Male Union	139
3171321	Connection, Water Outlet	135	3331838	Union, Male	47, 139
3171322	Connection, Water Outlet	135	3331855	Nut, Tube	137, 139
3171323	Connection, Water Outlet	135	3331857	Tee, Male Union	139
3171332	Flexplate	71	3331872	Elbow, Male Union	139
3171499	Gasket, Rkr Lever Housing	113	3331873	Union, Male	47, 139
3171565	Pan, Oil	89	3331876	Tee, Male Union	139
3171643	Plug, Gear Housing	13	3331881	Reducer, Tube Fitting	139
3171693	Screw, Hex Flange Head		3331882	Reducer, Tube Fitting	139
	Cap	109	3331921	Weight, Crankshaft Counter	9
3171695	Gasket, Connection	109	3331923	Crankshaft, Engine	9
3171696	Tube, Fuel Transfer	109	3331969	Gasket, Spacer	73
3171711	Clamp, Tube	89	3331970	Gasket, Spacer	73
3171713	Screw, Hex Flange Head		3331976	Spring, Compression	57
	Cap	47	3332001	Cover, Water Header	147
3171715	Screw, Hex Flange Head		3332002	Cover, Water Header	147
	Cap	47	3332037	Shaft, Water Pump	153
3171722	Union, Male	47, 69	3332084	Gasket, Oil Pan Adapter	89
3171723	Union, Male	47	3332085	Gasket, Oil Pan Cover	89
3171723	Union, Male	69	3332136	Union, Male	135
3171769	Valve, Intake	103	3332137	Union, Male	135
3171784	Bracket, Water Tube	137	3332138	Gear, Camshaft	100
3171818	Union, Male	137, 139	3332143	Gasket, Connection	131
3171819	Union, Male	137	3332158	Connection, Water Inlet	131
3171819	Union, Male	139	3332160	Seal, O Ring	53, 63, 97
3171839	Reducer, Tube Fitting	137	3332164	Clamp, V Band	114, 131
3171840	Reducer, Tube Fitting	137	3332174	Screw, Hex Flange Head	
3171868	Tee, Male Union	139		Cap	47
3171891	Tee, Male Union	139	3332175	Screw, Hex Flange Head	
3171963	Washer, Sealing	109		Cap	47
3172019	Impeller, Water Pump	153	3332183	Gasket, Connection	93
3175573	Ring, Retaining	153	3332194	Flange	114
3175768	Adapter, Filter Head	145	3332234	Screw, Hex Flange Head	
3176218	Dowel, Ring	9		Cap	7
3176512	Cover, Protective	135	3332237	Sleeve	21
3176663	Seal, Tamper Proof	103	3332242	Screw, Hex Flange Head	
3177040	Shaft, Shutoff Valve	145		Cap	39
3179035	Gasket, Wtr Trf Connection	149	3332291	Gasket, Rocker Lever Cover	141
3251297	Nut, Regular Hexagon Jam	21	3332297	Gasket, Acc Drive Support	33
3254315	Clamp, Hose	133	3332298	Gasket, Hyd Drive Support	29
3278093	Plug, Pipe	103	3332299	Gasket, Water Pump	
3278480	Screw, Hex Flange Head			Support	153
	Cap	73, 74, 119, 123, 135	3332325	Drive, Engine Barring	18
			3332326	Housing, Engine Barring	18
			3332349	Elbow, Male Union	53
			3332350	Elbow, Male Union	53

INDEX

Part No.	Description	Page No.	Part No.	Description	Page No.
3332383	Shaft, Barring	18	3527619	Dataplate	107
3332391	Gasket, Water Pump	114, 131	3534405	Seal, Rectangular Ring	107
3336566	Nut, Lock	97	3536588	Shield, Turbocharger Heat	107
3347907	Actuator, Etr Fuel Control	93	3537301	Ring, Retaining	107
3347937	Seal, O Ring	104	3537916	Baffle, Turbocharger Noise	107
3347939	Seal, O Ring	104	3590377	Screw, Socket Head Cap	107
3348442	Actuator, Etr Fuel Control	93	3590386	Clamp, V Band	107
3348444	Valve, Check	61	3590435	Screw, Socket Head Cap	107
3348458	Body, Prs Regulator Valve	61	3590444	Nut, Lock	107
3348583	Gasket, Prs Rgl Valve	61	3590445	Spacer, Mounting	107
3348663	Clamp, Injector	104	3591172	Housing, Turbine	107
3348703	Seal, O Ring	63	3595589	Shaft & Wheel	107
3393258	Elbow, Male Adapter	97	3598528	Bearing, Turbocharger	107
3396094	Clamp, Hose	17	3598923	Screw, Hexagon Head Set	107
3408282	Seal, Valve Stem	103	3600596	Screw, Twelve Point Cap	124
3408345	Sensor, Temperature	35, 95	3627412	Clip	109, 139, 155
3408346	Sensor, Temperature	35	3627695	Seal, O Ring	47, 139
3408346	Sensor, Temperature	95	3627961	Seal, Thermostat	135
3408472	Sensor, Speed	95	3628411	Cover, Starter Flange	123
3408500	Sensor, Temperature	35	3628553	Brace, Tube	17, 35, 155
3408541	Seal, Grommet	35	3628554	Brace, Tube	17, 65, 97, 139
3408542	Sensor, Temperature	35	3628585	Brace, Tube	155
3408543	Sensor, Temperature	35	3628604	Plug, Pipe	133
3408544	Sensor, Temperature	35	3628605	Plug, Pipe	133, 149
3408556	Sensor, Pressure	35, 93	3628745	Washer, Plain	49
3408557	Sensor, Pressure	35	3629112	Cap, Filler	17
3408557	Sensor, Pressure	93	3629168	Plug, Expansion	7
3408558	Sensor, Pressure	35	3629205	Thermostat	135
3408559	Sensor, Pressure	35	3629451	Clip	137
3408562	Sensor, Pressure	93	3629452	Clip	137
3408563	Sensor, Pressure	93	3629453	Clip	137
3408564	Sensor, Pressure	93	3629516	Clip	49
3408565	Sensor, Pressure	93	3630144	Pulley, Alternator	40
3408566	Sensor, Pressure	61	3630740	Seal, O Ring	137, 139
3408567	Sensor, Pressure	61	3630969	Gasket, Lub Oil Clr Cover	78
3408653	Sensor, Fluid Level	95	3631471	Adapter, O Ring	7
3408654	Sensor, Fluid Level	95	3631817	Spacer, Mounting	109
3410367	Tee, Male Run	47	3631921	Cover, Water Transfer	149
3410368	Tee, Male Union	47	3632840	Seal, O Ring	7
3410392	Elbow, Male Union	53, 97	3633972	Clamp, T Bolt	135
3410393	Elbow, Male Union	53	3634007	Seal, Water Pump	153
3410393	Elbow, Male Union	97	3634008	Bracket, Connection	45
3410781	Tee, Male Union	47	3634019	Plug, Expansion	153
3410782	Tee, Male Union	47	3634049	Shaft, Water Pump	153
3410850	Gasket, Water Header Cover	147	3634057	Adapter, Plain Pipe	45
3410897	Rod, Push	113	3634146	Seal, Oil	153
3410940	Hose, Flexible	137	3634686	Union, Male	97
3410941	Hose, Flexible	137	3634688	Union, Male	97
3410965	Hose, Flexible	139	3634708	Draincock	139
3411085	Bracket, Water Tube	49	3635129	Hose, Flexible	137
3411202	Cable	77	3635130	Hose, Flexible	137
3411232	Bracket, Lifting	77	3635131	Hose, Flexible	137
3411289	Camshaft	100	3635265	Tube, Water Transfer	143
3411290	Camshaft	100	3635316	Spacer, Mounting	49
3417238	Seal, O Ring	63	3635317	Tube, Water Drain	139
3502449	Seal, Rectangular Ring	107	3635353	Gasket, Thermostat Housing	135
3504967	Washer, Plain	107	3635395	Gasket, Wtr Trf Connection	89
3519163	Screw, Drive	107	3635440	Tube, Water Transfer	143
3519535	Nut, Lock	107	3635455	Spring, Valve	103
3519641	Ring, Retaining	107	3635712	Body, Water Pump	153
3521442	Seal, Split Ring	107	3635786	Pump, Water	153
3522597	Pin, Roll	107	3635811	Pump, Water	153
3522904	Lockplate	107	3635814	Housing, Gear	13
3523412	Seal, Split Ring	107	3635898	Hose, Flexible	139
3524418	Shim	107	3636014	Adapter, Oil Pan	89
3524419	Baffle, Oil	107	3636059	Nut, Lock	107
			3636232	Tube, Lub Oil Drain	89

INDEX

Part No.	Description	Page No.	Part No.	Description	Page No.
3636239	Cover, Hand Hole	87	3638747	Head, Cylinder	103
3636268	Brace, Connection	17	3638769	Nipple, Coupling	133
3636278	Plate, Clamping	49	3638772	Bracket, Etr Cnt Module	35
3636285	Bracket, Idler Pulley	49	3639265	Clip	35
3636362	Connection, Oil Transfer	85	3639283	Screw, Hex Flange Head	
3636373	Gasket, Connection	83		Cap	109
3636415	Tube, Water Drain	139	3639377	Spacer, Mounting	109
3636435	Hose, Plain	17	3639516	Bracket, Pump	97
3636560	Tube, Breather	17	3639540	Bracket, Pump	97
3636623	Plate, Cover	83	3639541	Bracket, Pump	97
3636624	Clamp, Retaining	83	3639629	Shield, Fuel Line	109
3636819	Motor, Starting	124	3639630	Shield, Fuel Line	109
3636929	Breather, Crankcase	17	3639664	Harness, Wiring	155
3636945	Hose, Molded	17	3639665	Harness, Wiring	35
3636947	Hose, Molded	17	3639728	Support, Ref Compressor	21
3636980	Tube, Oil Gauge	83	3639810	Head, Lub Oil Filter	81
3636983	Tube, Oil Gauge	83	3639974	Bushing	99
3636984	Dipstick	83	3639985	Hose, Flexible	54
3636988	Housing, Thermostat	135	3639988	Hose, Flexible	137
3637064	Harness, Wiring	35	3640341	Head, Fuel Filter	53
3637066	Harness, Wiring	35	3640474	Piston, Engine	99
3637068	Harness, Etr Cnt Mdl Wrg	155	3640515	Rod, Engine Connecting	99
3637070	Harness, Wiring	35	3640518	Rod, Engine Connecting	99
3637075	Harness, Wiring	49	3640533	Block, Cylinder	7
3637131	Clamp, Retaining	143	3640536	Nozzle, Piston Cooling	7
3637143	Bracket, Connection	143	3640540	Nozzle, Piston Cooling	7
3637200	Hose, Plain	17	3640543	Screw, Hex Flange Head	
3637342	Hose, Molded	17		Cap	7
3637402	Sleeve, Wear	143	3640545	Adapter, Oil Pan TLA	89
3637448	Shield, Heat	35	3640698	Bracket, Oil Tube	83
3637487	Pulley, Idler	49	3640735	Block, Cylinder	7
3637488	Shaft, Fan Hub	49	3640763	Bearing, Connecting Rod	99
3637489	Spacer, Bearing	49	3640764	Bearing, Connecting Rod	99
3637496	Tube, Water Transfer	143	3640765	Bearing, Connecting Rod	99
3637745	Sleeve, Wear	83	3640766	Bearing, Connecting Rod	99
3637746	Clamp, Tube	83	3640767	Bearing, Connecting Rod	99
3637776	Gasket, Intake Manifold	133	3640776	Seal, Tamper Proof	7, 73
3637779	Tee, Male Union	139	3640782	Block, Cylinder	7
3637780	Tee, Male Union	139	3641078	Core, Aftercooler	133
3637819	Tube, Water Transfer	151	3641125	Screw, Hex Flange Head	
3637822	Tube, Water Transfer	151		Cap	7
3637825	Tube, Water Transfer	151	3641308	Brace, Tube	69
3637826	Tube, Water Transfer	151	3641535	Crosshead, Valve	113
3637870	Gasket, Fuel Manifold	109	3641624	Guide, Valve Stem	103
3637961	Hose, Molded	17	3641726	Hose, Hump	133
3637963	Bracket, Oil Tube	83	3641774	Connection, Fuel Block	109
3637965	Bracket, Oil Tube	83	3642053	Cover, Camshaft	23
3637969	Primer, Engine Lubricating	97	3642058	Connection, Fuel Block	109
3637997	Screw, Hexagon Head Cap	21	3642220	Shield, Heat	35
3638012	Tensioner, Belt	39	3642281	Pump, Lubricating Oil	85
3638016	Bracket, Alternator	39	3642285	Brace, Tube	17, 139
3638062	Manifold, Fuel	109	3642431	Cap, Main Bearing	7
3638063	Manifold, Fuel	109	3642432	Cap, Main Bearing	7
3638064	Tube, Fuel Transfer	109	3642647	Manifold, Exhaust	129
3638065	Tube, Fuel Transfer	109	3642648	Manifold, Exhaust	129
3638083	Pump, Water	131	3642649	Manifold, Exhaust	129
3638094	Screw, Banjo Connector	131	3642654	Manifold, Exhaust	129
3638095	Hose, Flexible	131	3643025	Guard, Alternator	119
3638101	Seal, O Ring	109	3643029	Bracket, Belt Guard	119
3638102	Seal, O Ring	109	3643033	Bracket, Belt Guard	119
3638150	Plate, Clamping	39	3643035	Bracket, Belt Guard	119
3638326	Seal, Dust	109	3643037	Bracket, Belt Guard	119
3638327	Seal, Dust	109	3643513	Bracket, Belt Guard	119
3638453	Bracket, Sensor	95	3678602	Plug, Threaded	153
3638582	Draincock	133, 153	3678603	Seal, O Ring	49, 153
3638583	Draincock	7, 131	3678605	Plug, Threaded	13, 24, 49, 81, 89, 109
3638640	Pulley, Idler Assembly	49			

INDEX

Part No.	Description	Page No.	Part No.	Description	Page No.
3678605	Plug, Threaded	135	3900589	Nut, Hexagon Flange	35, 49, 65, 155
3678605	Plug, Threaded	141, 149	3900626	Screw, Hex Flange Head Cap	3, 27, 57, 73, 109, 110
3678605	Plug, Threaded	151			
3678606	Seal, O Ring	13, 24, 47, 49, 69, 81, 89, 93, 109, 135, 141, 149, 151	3900629	Screw, Hex Flange Head Cap	13, 35, 95, 151, 155
3678610	Plug, Threaded	153	3900630	Screw, Hex Flange Head Cap	49, 65, 69, 135, 143, 155
3678611	Plug, Threaded	13, 24, 49, 81, 89, 109, 135, 141, 149, 151	3900634	Screw, Hex Flange Head Cap	89, 133
3678786	Seal, O Ring	5, 7, 19, 25, 47, 63, 83, 89, 103, 107, 135, 139, 153	3900635	Screw, Hex Flange Head Cap	35, 109
3678791	Plug, Threaded	5, 7, 19, 25, 63, 89, 103, 107	3900637	Screw, Hex Flange Head Cap	85
3678791	Plug, Threaded	135	3900679	Screw, Hex Flange Head Cap	23, 135, 143, 155
3678791	Plug, Threaded	153			
3678838	Plug, Threaded	57, 61, 81	3901249	Screw, Hex Flange Head Cap	39, 127, 153
3678845	Plug, Threaded	57, 61, 81			
3678846	Seal, O Ring	57, 61, 63, 69, 81, 97	3901445	Screw, Hex Flange Head Cap	109
3678873	Plug, Threaded	5, 7, 19, 25, 63, 89, 103, 107, 135, 153	3901865	Screw, Hex Flange Head Cap	43, 57, 93
3678912	Seal, O Ring	24, 25, 47, 49, 57, 73, 81, 89, 93, 95, 109, 131, 135	3901937	Screw, Hex Flange Head Cap	109
3678921	Plug, Threaded	24, 25, 49, 57, 73, 81, 89, 93, 95, 135	3902114	Screw, Hex Flange Head Cap	97
3678922	Plug, Threaded	24, 25, 49, 57, 73, 81, 89, 93	3902116	Screw, Hex Flange Head Cap	39, 57
3678922	Plug, Threaded	95, 135	3902451	Screw, Hex Flange Head Cap	21, 135
3678923	Plug, Threaded	29, 33, 109, 145, 153	3902460	Screw, Hex Flange Head Cap	7, 49, 81, 85, 89, 123, 127, 131, 135, 137, 143, 147, 149, 155
3678924	Plug, Threaded	29, 33, 109, 145, 153	3902662	Nut, Hexagon Flange	17, 49, 83, 89, 97, 149
3678925	Seal, O Ring	29, 33, 109, 145, 153	3903105	Screw, Hex Flange Head Cap	73
3679139	Seal, O Ring	7, 137	3903112	Screw, Hex Flange Head Cap	65, 83, 89, 100, 133, 135, 139, 153
3680057	Nut, Regular Hexagon Jam	113			
3680437	Screw, Hex Flange Head Cap	50	3903210	Nut, Hexagon Flange	74
3681390	Screw, Hex Flange Head Cap	133	3903464	Screw, Hex Flange Head Cap	17, 89, 135, 137, 139, 153
3682701	Elbow, Male Union	131			
3682727	Elbow, Male Union	131			
3804892	Kit, Exhaust Valve	103	3903990	Screw, Hex Flange Head Cap	7, 17, 27, 83, 87, 89, 90, 97, 139, 143, 147, 149, 153
3865346	Sensor, Temperature	95			
3865398	Seal, O Ring	61, 93			
3867393	Screen, Filter	61, 93			
3867561	Sensor, Blowby Flow	95			
3867640	Seal, O Ring	63	3904446	Screw, Hex Flange Head Cap	33, 61
3867651	Seal, O Ring	104	3905372	Screw, Hex Flange Head Cap	53, 73
3867668	Spring, Compression	63	3906216	Nut, Hexagon Flange	155
3867687	Seal, Injector	104	3910495	Screw, Hex Flange Head Cap	13, 21, 30, 39, 65, 97, 131, 153
3867737	Valve, Pressure Relief	63			
3867743	Module, Electronic Control	93			
3888312	Inhibitor, Corrosion	145			
3888638	Additive, Ati Coolant	145			
3892411	Screw, Hexagon Head Cap	83	3910901	Screw, Hex Flange Head Cap	145
3896408	Screw, Hex Flange Head Cap	39			
3900257	Dowel, Pin	103			

INDEX

Part No.	Description	Page No.	Part No.	Description	Page No.
3913372	Screw, Hex Flange Head Cap	17, 35, 65, 143, 155	4006772	Socket, Cam Follower	15
3913994	Seal, O Ring	18	4006930	Clip	17
3914177	Screw, Hex Flange Head Cap	21	4007034	Damper, Vibration	27
3914407	Screw, Hex Flange Head Cap	85, 123, 141	4007035	Damper, Vibration	27
3916071	Screw, Hex Flange Head Cap	21, 127	4007073	Elbow, Male Union	63
3920447	Screw, Hex Flange Head Cap	39, 85, 127	4007074	Elbow, Male Union	63
3921851	Screw, Hex Flange Head Cap	133	4007165	Gasket, Gear Housing	13
3922794	Seal, O Ring	7, 109, 135, 137	4007204	Valve, Check	97
3922863	Screw, Hex Flange Head Cap	81	4007207	Connector, Male	97
3925437	Screw, Hex Flange Head Cap	133	4007208	Union, Male	97
3927220	Screw, Hex Flange Head Cap	109	4007215	Bracket, Connection	153
3944593	Screw, Hex Flange Head Cap	23	4007216	Bracket, Connection	153
3963982	Washer, Sealing	131	4007226	Screw, Hex Flange Head Cap	99
3968475	Screw, Hex Flange Head Cap	95	4007287	Harness, Wiring	97
3975140	Alternator	37	4007569	Bearing, Thrust	9
4000728	Union, Male	49	4007741	Bushing	7
4000730	Union, Male	49	4008037	Clamp, T Bolt	133
4000790	Gear, Idler	11	4010519	Seal, O Ring	35, 93
4000791	Gear, Idler	11	4010577	Seal, O Ring	104
4000793	Gear, Idler	11	4015784	Belt, V Ribbed	49
4000837	Screw, Hex Flange Head Cap	107	4015803	Tube, Lub Oil Supply	89
4000843	Brace, Tube	109	4015817	Hose, Flexible	49
4000844	Brace, Tube	109	4015819	Hose, Flexible	49
4000847	Nut, Lock	109	4015886	Gear, Idler	11
4000866	Tube, Water Bypass	131	4015887	Gear, Crankshaft	9
4000872	Tube, Water Inlet	131	4015993	Hub, Jaw Coupling	33
4000877	Valve, Check	69	4016277	Union, Male	49
4000878	Valve, Check	69	4016278	Union, Male	49
4000898	Bracket, Pump	65	4016279	Elbow, Male Union	49
4001054	Kit, Service Block	7	4016280	Elbow, Male Union	49
4001096	Dowel, Pin	7	4016407	Tube, Water Transfer	131
4001157	Valve, Check	69	4016441	Hose, Flexible	139
4001170	Connector, Male	109	4016468	Dowel, Pin	7
4001206	Adapter, Transmission	57	4016504	Cover, Gear	73
4001213	Hose, Flexible	49	4016660	Shim	85
4001224	Tube, Fuel Drain	69	4016661	Shim	85
4001226	Screw, Hex Flange Head Cap	49	4016700	Spacer, Mounting	77
4001248	Nut, Lock	119	4016701	Dowel, Pin	7
4001378	Screw, Hex Flange Head Cap	81	4016906	Adapter, O Ring	153
4001416	Pin, Piston	99	4016939	Bracket, Ref Compressor	21
4001432	Tube, Water Inlet	131	4016984	Clutch, Fan	49
4001506	Housing, Flywheel	57	4016985	Pulley, Fan Clutch	49
4001537	Clamp, Wire Tie	95	4016987	Pulley, Crankshaft	27
4001633	Connector, Male	109	4017050	Cover, Protective	35, 155
4001751	Plunger, Ful Prs Regulator	63	4017163	Flange, Connection	133
4001756	Valve, Pressure Regulator	63	4017188	Bracket, Oil Tube	89
4001757	Barrel, Control Valve	63	4017212	Tee, Male Union	97
4001945	Valve, Check	61	4017238	Pointer, Timing	27
4002080	Valve, Pressure Regulator	63	4017240	Plug, Expansion	7, 135
4002081	Valve, Pressure Regulator	63	4017292	Seal, D Ring	7
4006223	Gasket, Flywheel Housing	57	4017295	Cover, Protective	53
			4017326	Support, Fuel Pump	33
			4017427	Stud	74
			4017508	Tube, Air Balance	133
			4017529	Shaft, Fuel Pump Drive	33
			4017548	Clutch, Fan TLA	49
			4017621	Plug, Expansion	7, 24
			4017622	Plug, Expansion	7
			4017656	Plug, Orifice	114
			4024792	Set, Main Bearing	9
			4024793	Set, Main Bearing	9
			4024794	Set, Main Bearing	9
			4024795	Set, Main Bearing	9
			4024796	Set, Main Bearing	9
			4025070	Kit, Exhaust Valve	103
			4025140	Set, Upper Engine Gasket	156

INDEX

Part No.	Description	Page No.	Part No.	Description	Page No.
4036307	Slinger, Oil	107	4066599	Plug, Retainer	103
4037264	Bearing, Tur Thrust	107	4066653	Harness, Etr Cnt Mdl Wrg	35
4038175	Housing, Compressor	107	4066750	Belt, V Ribbed	40
4038374	Housing, Tur Bearing	107	4066810	Solenoid	49
4038464	Impeller, Tur Compressor	107	4066811	Plug, Ball	15
4039735	Collar, Thrust	107	4066825	Cover, Thermostat Housing	135
4041997	Diffuser, Turbocharger	107	4066827	Gasket, Thermostat Housing	135
4047291	Turbocharger	107	4066935	Brace, Wiring	35, 155
4061677	Hub, Jaw Coupling	61	4066937	Brace, Wiring	35
4062159	Pump, Gear Fuel	61	4067011	Bracket, Wiring Retainer	155
4065229	Bracket, Fuel Plumbing	90	4067915	Cable, Battery	97
4065343	Cover, Protective	127	4067917	Cable, Battery	97
4065349	Gasket, Exh Out Connec- tion	127	4080141	Bellows	129
4065385	Hose, Flexible	109	4080151	Cover, Oil Pan	89
4065481	Valve, Exhaust	103	4080158	Bellows	127
4065488	Clamp, V Band	127	4080164	Dowel, Diamond	57
4065496	Elbow, Male Union	97	4080234	Clip	17, 97
4065497	Elbow, Male Adapter	97	4080240	Rod, Push	113
4065566	Thermostat	135	4080242	Spacer, Mounting	143
4065603	Bracket, Connection	17	4080243	Bracket, Water Tube	143
4065606	Hose, Flexible	90	4080251	Bracket, Connection	143
4065615	Gasket, Turbocharger	107	4080253	Screw, Hex Flange Head	
4065627	Plug, Drive	113	4080262	Cap	103
4065632	Lever, Rocker	113	4080265	Hose, Flexible	49
4065633	Lever, Rocker	113	4080326	Bracket, Shipping	120
4065635	Lever, Rocker	113	4080327	Insert, Valve	103
4065636	Lever, Rocker	113	4080333	Bracket, Shipping	120
4065638	Lever, Rocker	113	4080333	Insert, Valve	103
4065639	Lever, Rocker	113	4080343	Seal, Valve Stem	103
4065689	System, Engine Monitoring	43	4080395	Spacer, Mounting	3, 110
4065718	Bracket, Oil Tube	89	4080396	Pulley, Accessory Drive	110
4065749	Pin, Cam Follower Roller	15	4080400	Pulley, Accessory Drive	3
4065750	Pin, Cam Follower Roller	15	4080404	Seal, Oil	3, 110
4065754	Lever, Cam Follower	15	4080433	Hose, Flexible	45
4065755	Lever, Cam Follower	15	4080519	Adapter, O Ring	7
4065756	Lever, Cam Follower	15	4080544	Hose, Plain	131
4065757	Lever, Cam Follower	15	4080556	Connector, Tube	69
4065866	Screw, Hex Flange Head Cap	129	4080573	Gasket, Aftercooler Cover	133
4065896	Manifold, Exhaust	129	4080576	Hose, Flexible	97
4065900	Manifold, Exhaust	129	4085917	Liner, Cylinder	7
4065979	Valve, Check	97	4085920	Hose, Flexible	109
4065992	Shaft, Hyd Pump Drive	29	4085922	Pump, Service Kit	131
4066008	Connection, Exhaust Outlet	127	4085924	Gasket, Camshaft Cover	23
4066057	Gear & Shaft	29	4085925	Cover, Camshaft	23
4066112	Seal, O Ring	143	4085926	Tee, Tube Connector	69
4066129	Retainer, Seal	133	4086160	Bracket, Solenoid	49
4066135	Gasket, Filter Head	81	4086225	Gasket, Cylinder Head	103
4066136	Gasket, Filter Head	81	4086504	Support, Lub Oil Pump	123
4066180	Bracket, Pump	123	4086626	Head, Cylinder	103
4066190	Adapter, Filter Head	81	4086640	Bracket, Alternator	39
4066192	Adapter, Filter Head	81	4086649	Rotator, Valve	103
4066194	Plate, Cover	81	4086650	Bracket, Oil Tube	89
4066195	Spring, Compression	81	4086653	Hose, Flexible	139
4066204	Bracket, Water Tube	143	4086695	Cover, Hand Hole	87
4066210	Plug, Ball	15	4086754	Hose, Flexible	139
4066254	Cover, Gear	73	4088180	Valve, Etr Cnt Pressure	93
4066276	Connection, Water Transfer	133	4088181	Valve, Etr Fuel Control	93
4066277	Support, Water Pump	153	4088182	Valve, Pressure Regulator	61
4066278	Support, Water Pump	153	4088186	Pump, Fuel	61
4066279	Support, Water Pump	153	4088274	Disc, Actuator	93
4066304	Support, Front Engine	45	4088427	Injector	104
4066385	Support, Hydraulic Pump	29	4088734	Sensor, Pressure	93
4066545	Support, Hydraulic Pump	29	4088735	Sensor, Pressure	93
4066546	Drive, Hydraulic Pump	29	4088863	Housing, Actuator	93
4066560	Bracket, Wiring Retainer	35	4089143	Kit, Cylinder Liner	7
			4089148	Set, Lower Engine Gasket	157
			4097481	Brace, Wiring	35

INDEX

Part No.	Description	Page No.	Part No.	Description	Page No.
4098089	Screw, Hex Flange Head		4999047	Manifold, Air Intake	133
	Cap	135	4999050	Manifold, Air Intake	133
4100474	Gasket, Cover Plate	81	4999052	Cover, Aftercooler	133
4100476	Head, Lub Oil Filter	81	4999056	Connection, Air Crossover	133
4100552	Clip	65, 155	4999239	Cover, Aftercooler	133
4100624	Seal, Oil	73			
4100625	Seal, Oil	57			
4100660	Seal, O Ring	87			
4100771	Plug, Orifice	149			
4100827	Housing, Rocker Lever	113			
4100829	Connection, Water Transfer	131			
4100845	Plug, O Ring	151			
4100846	Clamp, Retaining	151			
4100847	Ring, Retaining	151			
4100863	Tube, Water Transfer	143			
4100983	Gasket, Gear Cover	73			
4100991	Bracket, Water Tube	143			
4101011	Core, Cooler	78			
4101022	Connector, Male	109			
4101023	Connector, Male	109			
4101150	Gasket, Connection	135			
4101256	Spacer, Mounting	49			
4101288	Screw, Hex Flange Head				
	Cap	49			
4101292	Plug, Expansion	49			
4101322	Bushing	73			
4101324	Cover, Gear	73			
4101379	Gasket, Oil Pan	89			
4101401	Lockplate	129			
4902720	Sensor, Pressure	95			
4903489	Switch, Coolant Level	116			
4903527	Pump, Fuel	61			
4905883	Spacer, Mounting	135			
4905885	Retainer, Thermostat	135			
4910251	Ring, Compression Piston	99			
4916702	Head, Fuel Filter	53			
4916712	Tube, Water Bypass	135			
4916714	Tube, Water Bypass	135			
4916874	Connection, Oil Transfer	85			
4916878	Tube, Lub Oil Transfer	85			
4916879	Sleeve	85			
4917006	Bracket, Fan	49			
4917020	Tube, Fuel Drain	69			
4920071	Filter, Lubricating Oil	81			
4921411	Module, Electronic Control	93			
4921574	Seal, O Ring	35			
4921574	Seal, O Ring	95			
4921574	Seal, O Ring	95			
4924463	Retainer, Thermostat	135			
4924516	Housing, Thermostat	135			
4924790	Screw, Hex Flange Head				
	Cap	133			
4924925	Switch, Pressure	97			
4927995	Connection, Air Crossover	133			
4928120	Hose, Flexible	97			
4951860	Switch, Relay	97			
4951861	Bracket, Relay	97			
4951862	Harness, Wiring	97			
4951863	Cable, Battery	97			
4951864	Switch, Magnetic	97			
4954905	Sensor, Temperature	35, 93			
4955384	Kit, Intake Valve	103			
4955686	Kit, Turbocharger	107			
4955781	Kit, Engine Piston	99			
4956091	Set, Piston Ring	99			
4970364	Dataplate	4, 36			
4975427	Seal, O Ring	53			

Serial No. 33179980



33179980