

The following catalog has gaps in its page numbers, or doesn't have any numbers. We have chosen to leave the page numbering in the order that Acrobat assigns it.



**Cummins  
Power  
Systems**

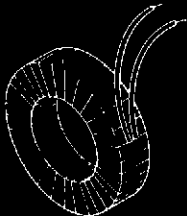
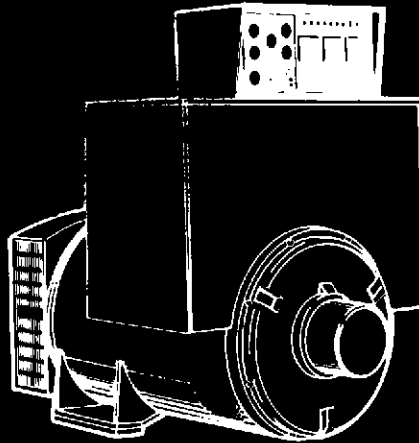
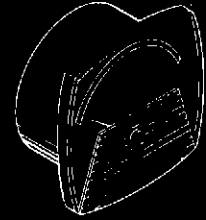
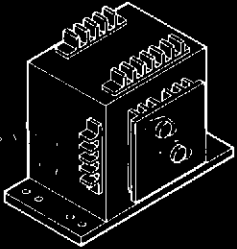
**Parts Catalog**

**KT19**

**KTA19**

**KTTA19**

**PMG Generator Set**



## TABLE OF CONTENTS

Index.....	2
Introduction .....	3
General Information .....	4

### ENGINE SECTION

Alternator .....	5
Air Cleaner - Indoor.....	7
Air Cleaner - Outdoor.....	9
Air Cleaner - Heavy Duty .....	11
External Engine Components - Left Side .....	13
External Engine Components - Right Side .....	15
Fan, Fan Guards .....	17
Cooling System - Radiator.....	19
Heater, Engine Coolant .....	21

### GENERATOR SECTION

Blank for Notes.....	32
Generator Size Table .....	33
Generators SAE0/SAE18 .....	35
Generator Stator Section [Frame Size 4] .....	37
Generator Stator Section [Frame Size 5] .....	39
Generator Stator Section [Frame Size 6] .....	41
Generator Rotor Section [Frame Size 4, SAE0/SAE18].....	43
Generator Rotor Section [Frame Size 5, SAE0/SAE18].....	45
Generator Rotor Section [Frame Size 6, SAE0/SAE18].....	47
Permanent Magnet Exciter .....	48

### CONTROL SECTION

Control, Generator Set.....	53
Control Panel, Generator (Sets with LED Indicator Lights).....	55
Control Panel, Generator (Sets with Bulb Indicator Lights).....	57
Control Panel, Engine (Sets with LED Indicator Lights).....	59
Control Panel, Engine (Sets with Bulb Indicator Lights).....	61
Control Wiring Harnesses (Sets with LED Indicator Lights).....	63
Control Wiring Harnesses (Sets with Bulb Indicator Lights).....	65
Control Internal Components (Sets with LED Ind Lights).....	66
Control Internal Components (Sets with Bulb Ind Lights).....	67
Control Alarm Module .....	68

## Index

Adapter, Generator.....	43,45,47	Harness, Engine .....	15
Alarm Module.....	68	Harness, Engine Control .....	59,61
Alternator.....	5	Harness, Generator Control .....	63,65
Ammeter - AC .....	55,57	Heater, Generator.....	37,39,41
Ammeter - DC .....	59,61	Heater, Oil .....	13
		Heater, Water .....	21
Belt, Drive .....	17	Horn, Electrical .....	68
Board, AutoStart.....	66,67		
Board, LED Lights .....	55	Indicator, Air Service .....	7,9,11
Cable, Battery .....	13	Meter, Hour .....	59,61
Cap, Radiator .....	19		
Cleaner, Air - Heavy Duty .....	11	Regulator, Voltage .....	37,39,41
Cleaner, Air - Indoor.....	7	Relay .....	66,67
Cleaner, Air - Outdoor.....	9	Rotor, Exciter .....	43,45,47
Contact, Heater .....	21	Rotor, Generator .....	43,45,47
Control, Engine .....	59,61		
Control, Generator Set .....	53	Sender, Pressure - Oil .....	15
Control, Generator .....	55,57	Sender, Temperature .....	13
Control, Overspeed .....	66,67	Shroud, Fan .....	17
Controller, Governor .....	66,67	Spacer, Fan .....	17
		Starter .....	13
Disk, Drive .....	43,45,47	Stator, Exciter .....	37,39,41
		Stator, Generator .....	37,39,41
Element, Air Cleaner.....	7,9,11	Switch, Heater Control .....	21
Element, Oil Filter .....	13,15	Switch, Level - Coolant .....	19
Exciter, Permanent Magnet .....	48	Switch, Magnetic - Starter .....	13
		Switch, Pressure - Oil.....	15
Fan, Cooling .....	17	Switch, Selector .....	55,57
Filter, Fuel .....	15	Switch, Temperature .....	13
Filter, Oil .....	13,15		
Filter, Water .....	13	Tachometer .....	59,61
		Transducer, Temperature - Water .....	13
Gauge, Pressure - Oil.....	59,61	Transducer, Watt .....	67
Gauge, Temperature .....	59,61	Transducer, Pressure - Oil .....	15
Generators .....	35	Transformer, Current .....	53
Guard, Belt .....	5		
Guard, Fan .....	17	Voltmeter .....	55,57,59,61
		Wattmeter .....	55,57

## Introduction

This Parts Catalog applies to the Generator Sets Listed below. The illustrations are arranged in groups of related items, and each part or assembly is identified by a Reference Number. All parts illustrated are typical, and unless otherwise mentioned in the description column the parts are interchangeable between models. Dual Part No. may be applicable; GPS are Cummins Power Systems assigned Part Numbers and CEC are the Cummins Engine Company assigned Part Numbers.

These typical illustrations are subject to change and reflect only the latest replacement parts arrangement. The Right and Left sides of the Generator Set are determined by FACING the FRONT of the Set (Engine Radiator End)

### Set Data Table

ENGINE ID. No.	GEN SET ID No.	RPM RATING	BATTERY VOLTAGE
Note 1. KT19-G*#	Note 2. xxxKT@	1800 RPM/ 1500 RPM	24 VDC
KTA19-G*#	xxxKTA@	1800 RPM/ 1500 RPM	24 VDC
KTTA19-G*#	xxxKTT@	1800 RPM/ 1500 RPM	24 VDC

Note:1 \* - Letter S for Standby, Letter C for Continious Duty applications  
 Note:1 # - Number 1 thru 9 used to denote size variations.  
 Note:2 x - Numbers used to denote kW ratings: eg: 230 means 230,000 watt set.  
 Note:2 @ - Number 1 thru 9 used to denote size variations.

### Electrical Data Table

VOLTAGE		HERTZ	WIRE	PHASE	NOTES
LOW Y	HIGH Y				
190/110	380/219	60	12	3	
208/120	416/220	60	12	3	
220/127	440/254	60	12	3	
230/133	460/266	60	12	3	
240/139	480/277	60	12	3	
190/110	380/219	50	12	3	
200/115	400/231	50	12	3	
208/120	416/240	50	12	3	

### Engine Replacement Parts


The External Engine Components added or modified during the Generator Set Assembly and most General Maintance Items are identified in this Parts Catalog. For Internal Engine Parts and Components not covered herein; refer to the applicable Cummins Engine G Drive Parts Catalog.

## General Information

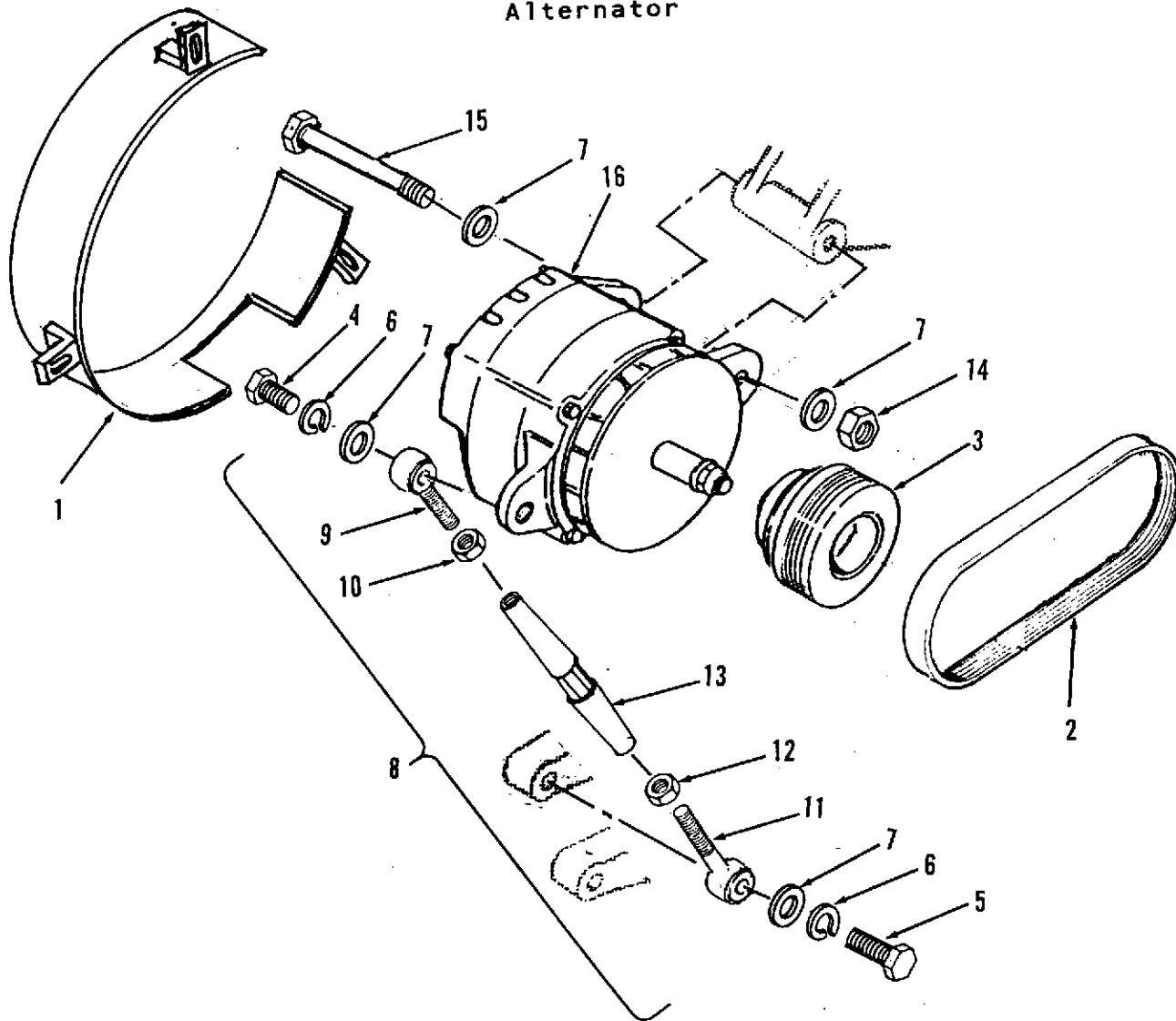
For parts or service, contact the distributor from whom you purchased this equipment or refer to the nearest Authorized Cummins Distributor.

To avoid errors or delays in filling your parts order, always give the full **MODEL**, **SERIAL** and **ID No.** from the nameplate.

For handy reference, insert **"YOUR"**  
nameplate information in the spaces below.

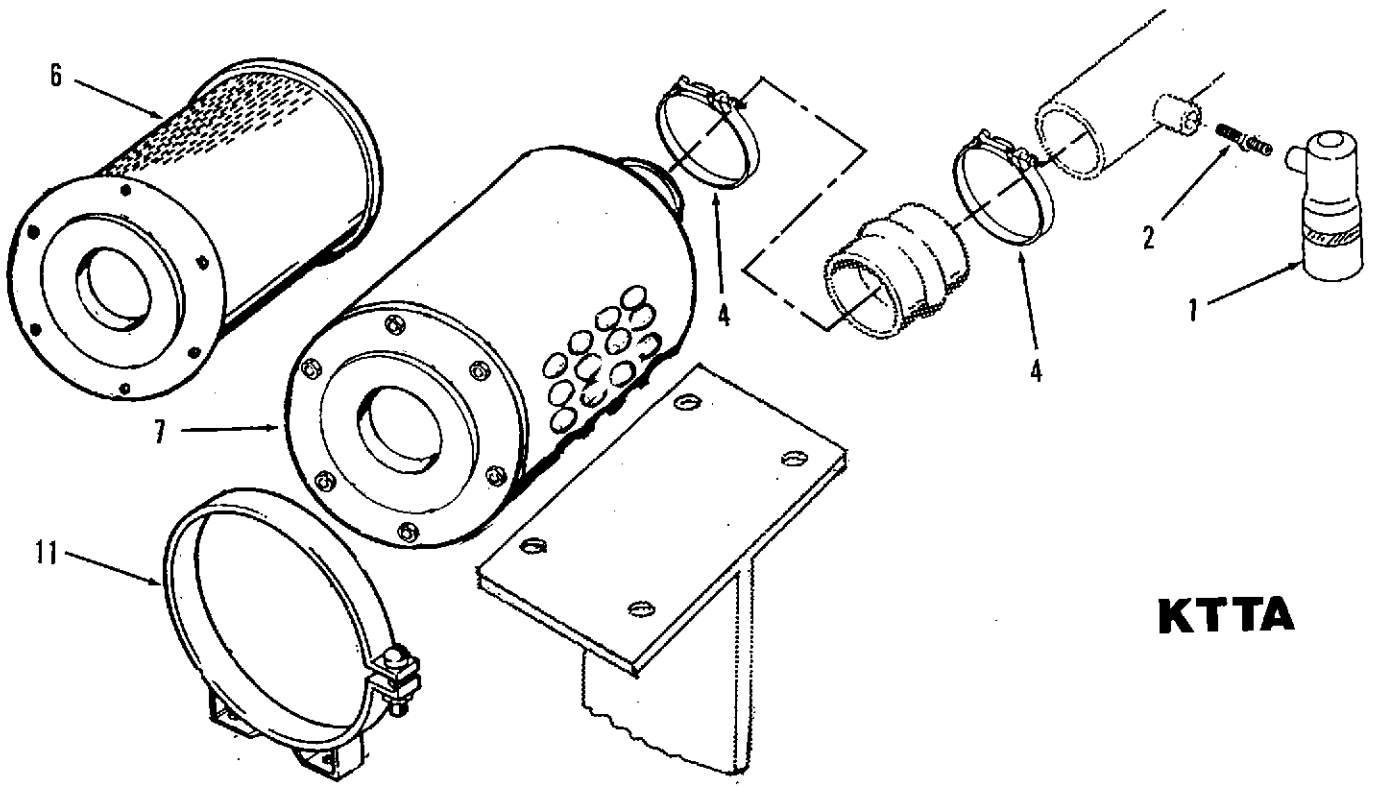
		<h1 style="margin: 0;">AC Generator Set</h1> <h2 style="margin: 0;">Model _____</h2>	
kw	kva	pf	phase
voltage		amps	
duty		overload	
rpm		hz	
class of insulation		pmg voltage	
field amp max		field voltage max	
generator model no.			
voltage regulator model no.			
ID no.			
generator set serial no.			
BS5000		NEMA	

# Alternator

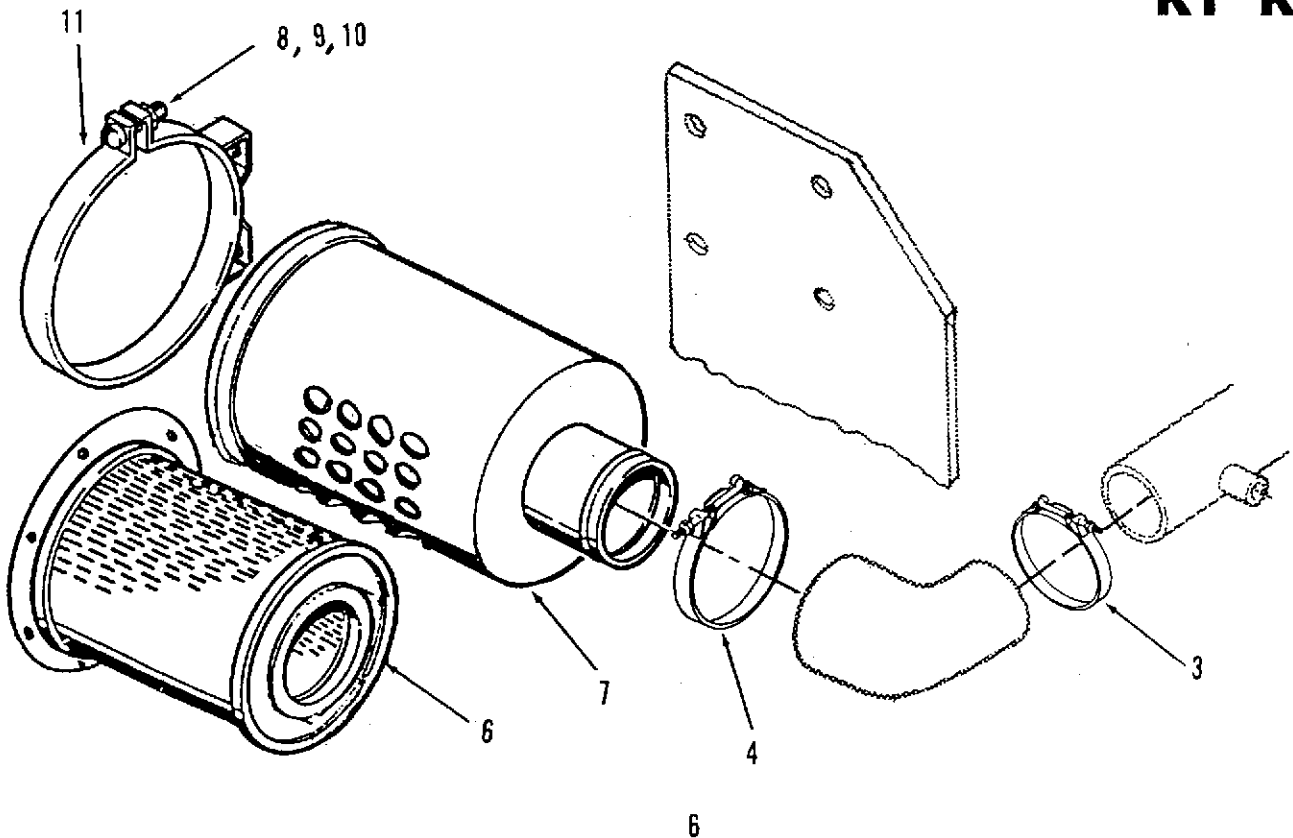


REF NO.	CPS PART NO.	CEC PART NO.	QTY USED	PART DESCRIPTION
1	191-1876	3011292	1	Guard, Belt - Alternator
	815-0714	3013904	3	Attaching Parts for Guard
	526-0359	146159	3	Screw, Cap - Hex Head with Washer (1/4-20 x 7/16")
	511-0161	206996	1	Washer, Flat (1/4")
2	511-0161	206996	1	Belt, Drive - Multi Groove
3	130-3254	3002323	1	Pulley - Multi Groove
4	800-0215	S113	1	Screw, Cap - Hex Head (1/2-13 x 1-1/2")
5	800-0236	S106	1	Screw, Cap - Hex Head (1/2-13 x 1-3/4")
6	850-0110	111445	2	Washer, Lock - Spring (1/2")
7	526-0353	203310	4	Washer, Flat (1/2")
8	191-1879	3201188	1	Link Assembly - Adjusting
9		3201186	1	Bolt, Eye (1/2-20 Left Hand Thread)
10		206202	1	Nut, Hex - Jam (1/2-20 Left Hand Thread)
11		3201185	1	Bolt, Eye (1/2-20 Right Hand Thread)
12		S253	1	Nut, Hex - Jam (1/2-20 Right Hand Thread)
13		3201187	1	Adjuster, Link
14	870-0452	70897	1	Nut, Self-locking - Hex (1/2-20)
15	800-0237	158829	1	Screw, Cap - Hex Head (1/2-20 x 6-1/2")
16	191-1846-01	3016627	1	Alternator - 24 VDC, 35 Amp (Less Pulley)

Air Cleaner  
Indoor



**KTTA**



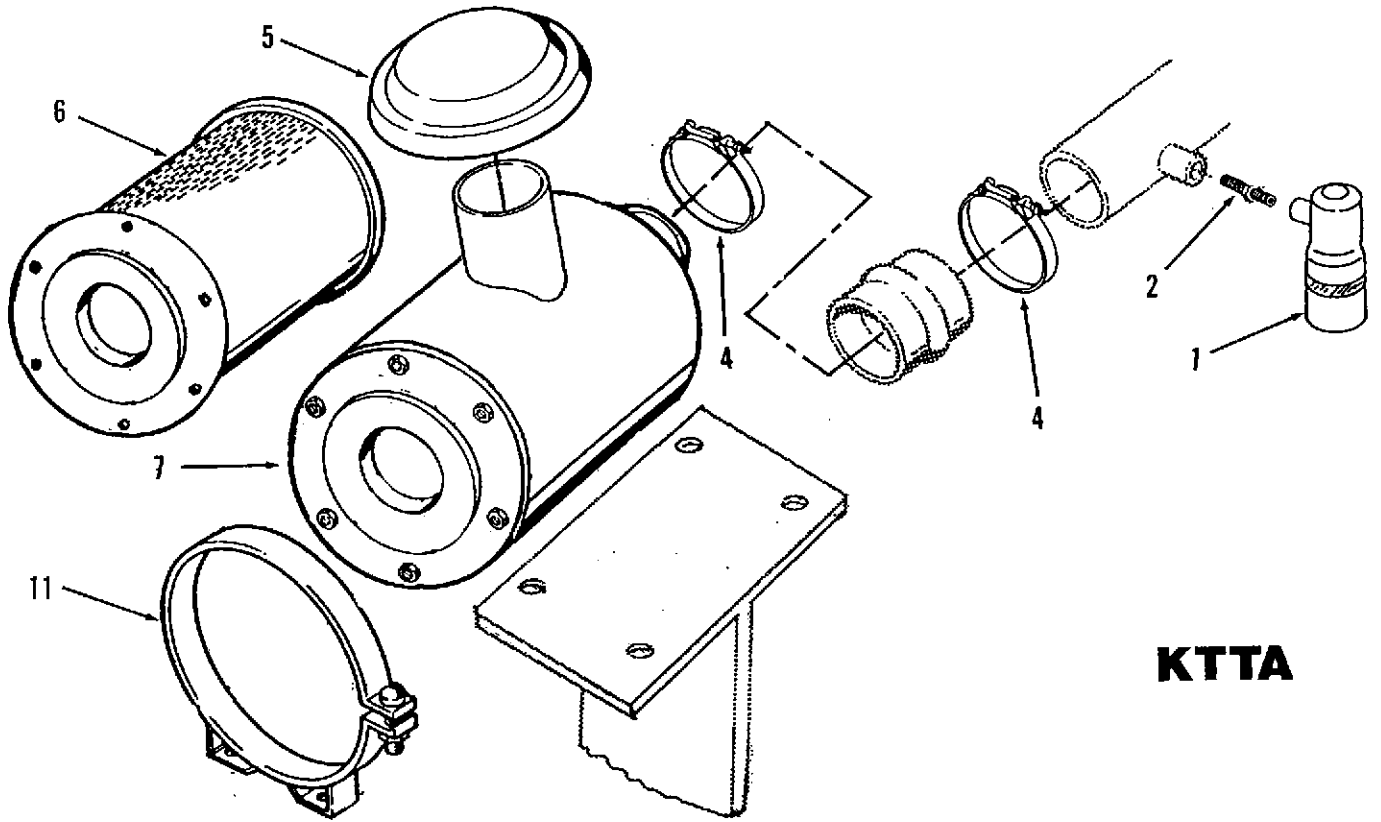
**KT KTA**



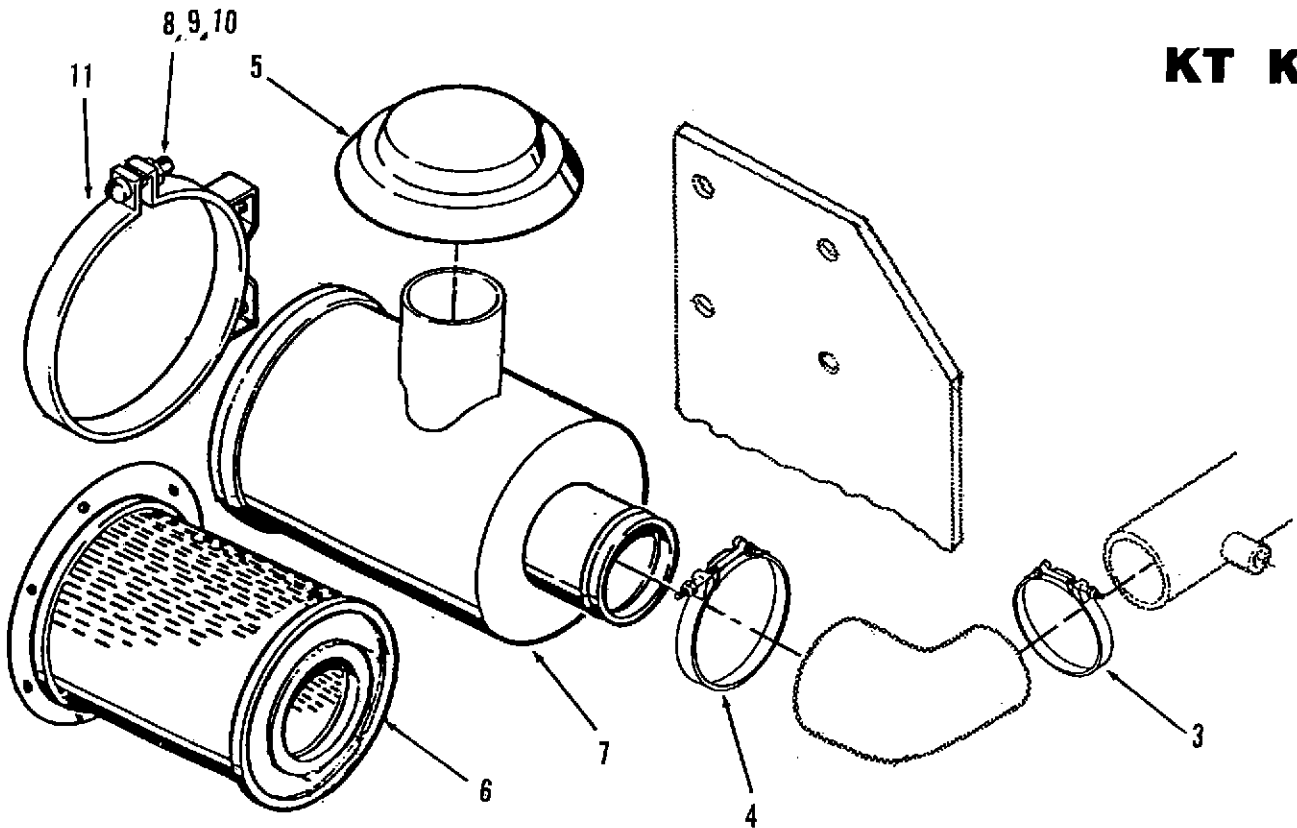
## Air Cleaner Indoor

REF NO.	CPS PART NO.	CEC PART NO.	QTY USED	PART DESCRIPTION
1	140-2226	178957	1	Indicator, Air Restriction (Includes Fitting)
2	140-1260		1	Fitting, Male - Hex
3	503-1585-11	140313	1	Clamp, Hose - T-Bolt (6-1/8"NON) KT, KTA
4				Clamp, Hose - T-Bolt (7-5/8"NON)
	503-1585-12	140314	1	KTA
	503-1585-12	140314	2	KTTA
5				Not Used
6		3018042		Element, Air Cleaner
7	140-2264	4028847	1	Cleaner, Air
8	800-0224	S111	2	Screw, Cap - Hex Head (5/16-18 x 1-1/4")
9	867-0032	69832	2	Nut, Hex (5/16-18)
10	850-0102	S605	2	Washer, Lock - Spring (5/16")
11	140-2222-20	3022322	2	Strap, Mounting - Air Cleaner
				<b>Attaching Parts for Straps</b>
	800-0224	S111	4	Screw, Cap - Hex Head (5/16-18 x 1-1/4")
	850-0102	S605	4	Washer, Lock - Spring (5/16")
	862-0032	69832	4	Nut, Hex (5/16-18)

Air Cleaner  
Outdoor



**KTTA**

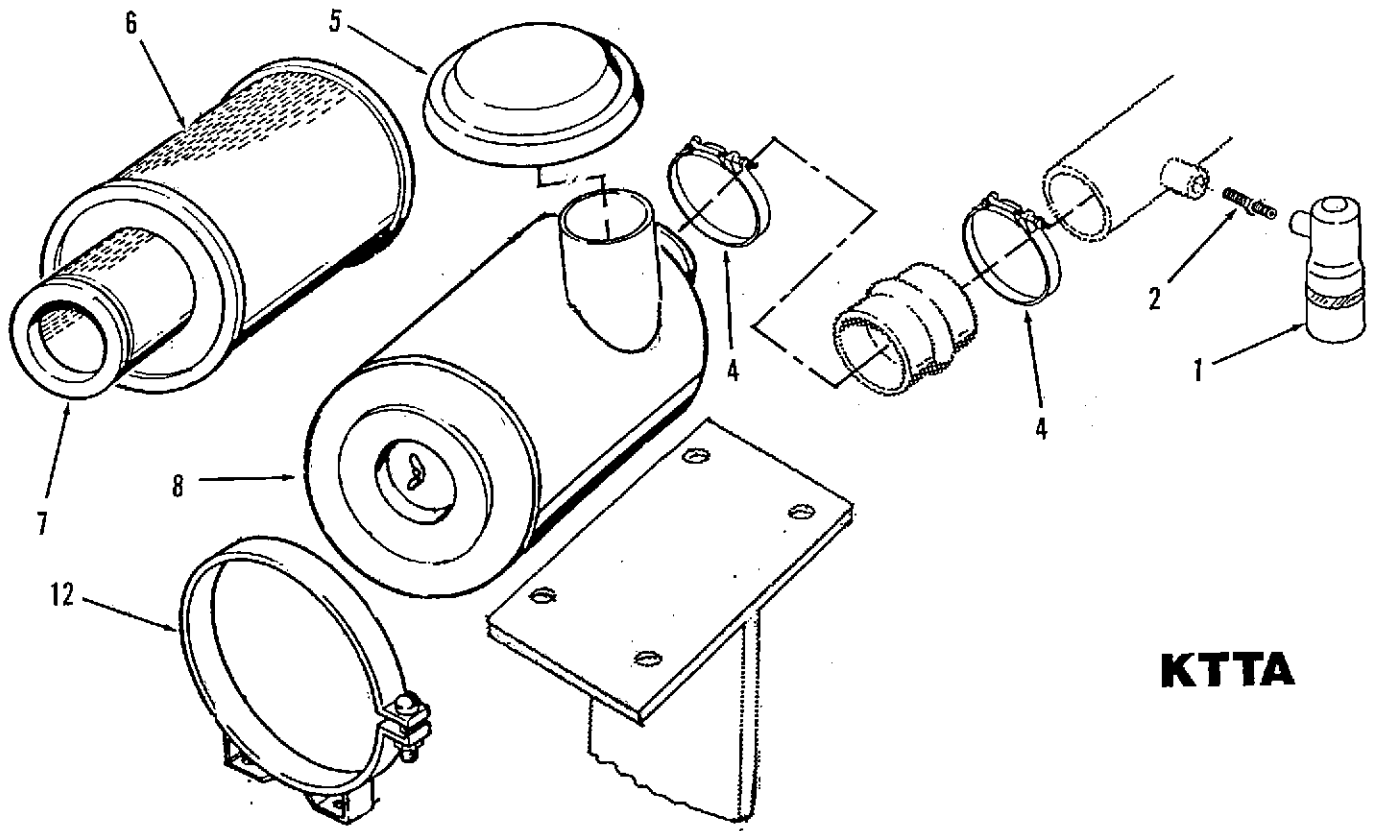


**KT KTA**

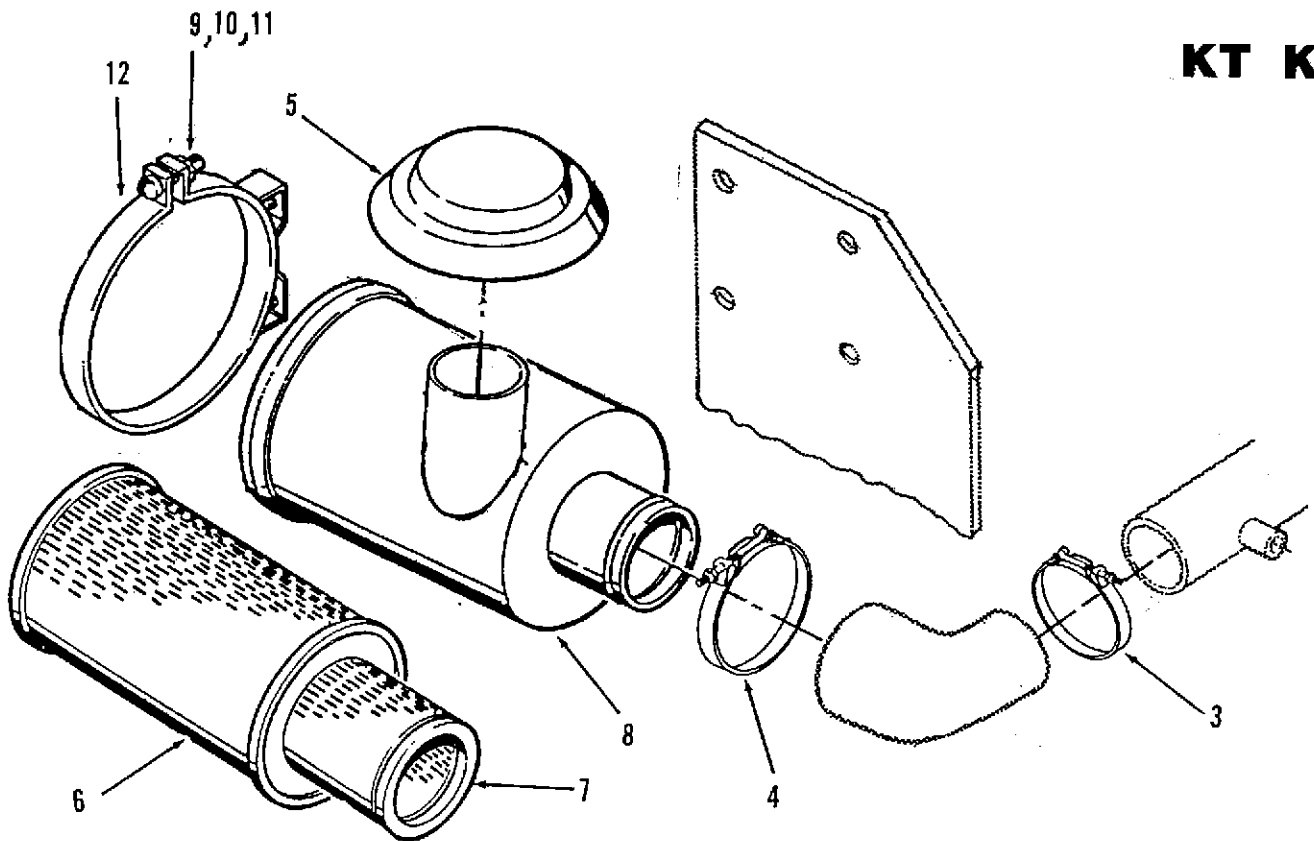
**Air Cleaner  
Outdoor**

REF NO.	CPS PART NO.	CEC PART NO.	QTY USED	PART DESCRIPTION
1	140-2226	178957	1	Indicator, Air Restriction (Includes Fitting)
2	140-1260		1	Fitting, Male - Hex
3	503-1585-11	140313	1	Clamp, Hose - T-Bolt (6-1/8"NON) KT, KTA
4				Clamp, Hose - T-Bolt (7-5/8"NON)
	503-1585-12	140314	1	KTA
	503-1585-12	140314	2	KTTA
5		3017003	1	Cap, Air Cleaner
6		3018042		Element, Air Cleaner
7		3017002	1	Cleaner, Air
8	800-0224	S111	2	Screw, Cap - Hex Head (5/16-18 x 1-1/4")
9	867-0032	69832	2	Nut, Hex (5/16-18)
10	850-0102	S605	2	Washer, Lock - Spring (5/16")
11	140-2222-20	3022322	2	Strap, Mounting - Air Cleaner
				<b>Attaching Parts for Straps</b>
	800-0224	S111	4	Screw, Cap - Hex Head (5/16-18 x 1-1/4")
	850-0102	S605	4	Washer, Lock - Spring (5/16")
	862-0032	69832	4	Nut, Hex (5/16-18)

Air Cleaner  
Heavy Duty



**KTTA**

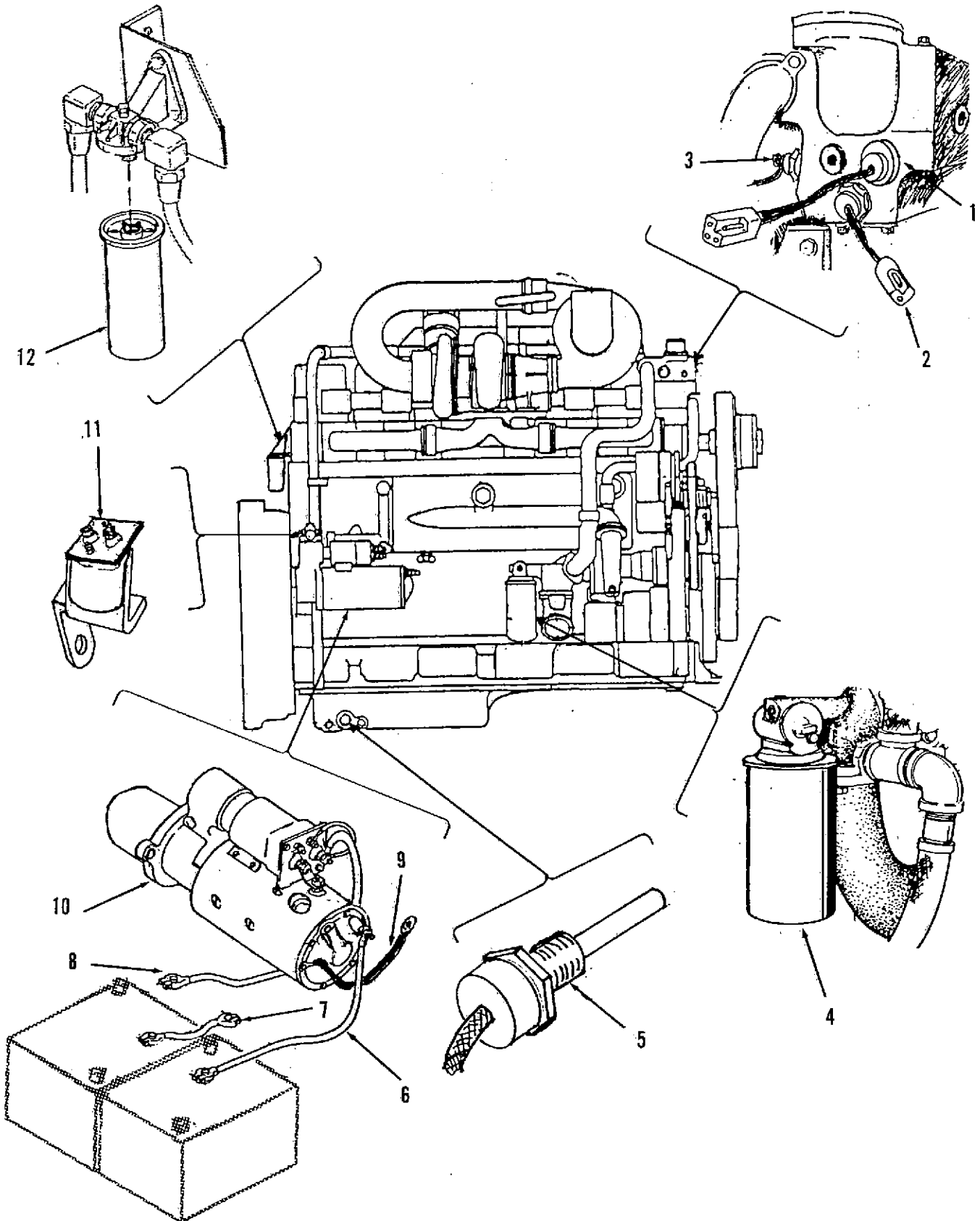


**KT KTA**

## Air Cleaner Heavy Duty

REF NO.	CPS PART NO.	CEC PART NO.	QTY USED	PART DESCRIPTION
1	140-2226	178957	1	Indicator, Air Restriction (Includes Fitting)
2	140-1260		1	Fitting, Male - Hex
3	503-1585-11	140313	1	Clamp, Hose - T-Bolt (6-1/8"NON) KT, KTA
4				Clamp, Hose - T-Bolt (7-5/8"NON)
	503-1585-12	140314	1	KTA
	503-1585-12	140314	2	KTTA
5	140-1545	3013238	1	Cap, Air Cleaner
6		3060220	1	Element, Primary - Air Cleaner
7		3060221	1	Element, Secondary - Air Cleaner
8	140-2301	3056713	1	Cleaner, Air
9	800-0224	S111	2	Screw, Cap - Hex Head (5/16-18 x 1-1/4")
10	867-0032	69832	2	Nut, Hex (5/16-18)
11	850-0102	S605	2	Washer, Lock - Spring (5/16")
12	140-2222-20	3022322	2	Strap, Mounting - Air Cleaner
				<b>Attaching Parts for Straps</b>
	800-0224	S111	4	Screw, Cap - Hex Head (5/16-18 x 1-1/4")
	850-0102	S605	4	Washer, Lock - Spring (5/16")
	862-0032	69832	4	Nut, Hex (5/16-18)

External Engine Components  
Left Side

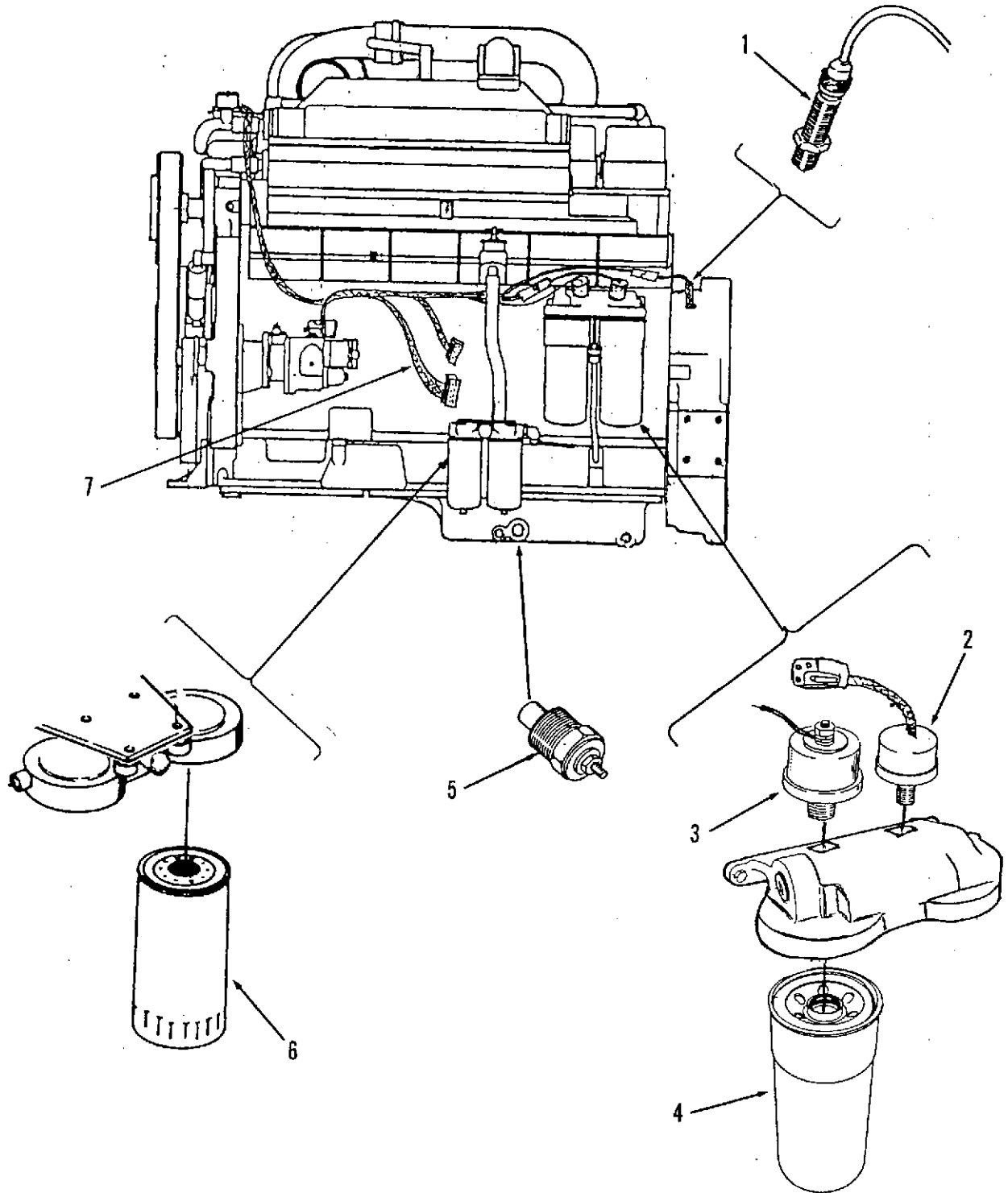


**External Engine Components  
Left Side**

REF NO.	CPS PART NO.	CEC PART NO.	QTY USED	PART DESCRIPTION
1	309-0572-02	3048727	1	Switch, Temperature - Engine Coolant
2	309-0570	3034866	1	Switch, Temperature - Engine Coolant
3	302-1854	3015238	1	Transducer (Sender), Temperature - Engine Coolant
4				*Filter, Water - W/Corosion Inhibiting Chemical DCA4
		3318157	1	20-40 Gal Cooling Systems [WF2070]
		3315116	1	40-60 Gal Cooling Systems [WF2071]
		3318201	1	60-90 Gal Cooling Systems [WF2072]
		3315115	1	90-UP Gal Cooling Systems [WF2073]
5				Heater, Oil - 300 Watt
	333-0407-02	167619	1	120 VAC
	333-0407-04	167621	1	240 VAC
	333-0407-05	3000214	1	480 VAC
6	337-2401-03	3018924	1	Lead, Electrical - Ground
7	337-2407-01	41790	1	Cable, Battery - Negative
8	416-0473		1	Cable, Battery - Jumper
9	337-2407-02	119573	1	Cable, Battery - Positive
10		205431	1	Starter, 24 VDC Standard
	191-1588		1	Heavy Duty
11	307-2621-02	3050692	1	Switch, Magnetic
12	122-0526	3313283	1	Filter, Oil - Bypass [LF777]

\* NOTE: Replacement cartridges recommend and should be used in lieu of the Original Engine Factory Installed Item which contains a Pre-Charge amount of DCA or DCA4 Chemical. Replacement with Pre-charge Cartridge may overload the Cooling System and cause problems or failure of the Set.

External Engine Components  
Right Side

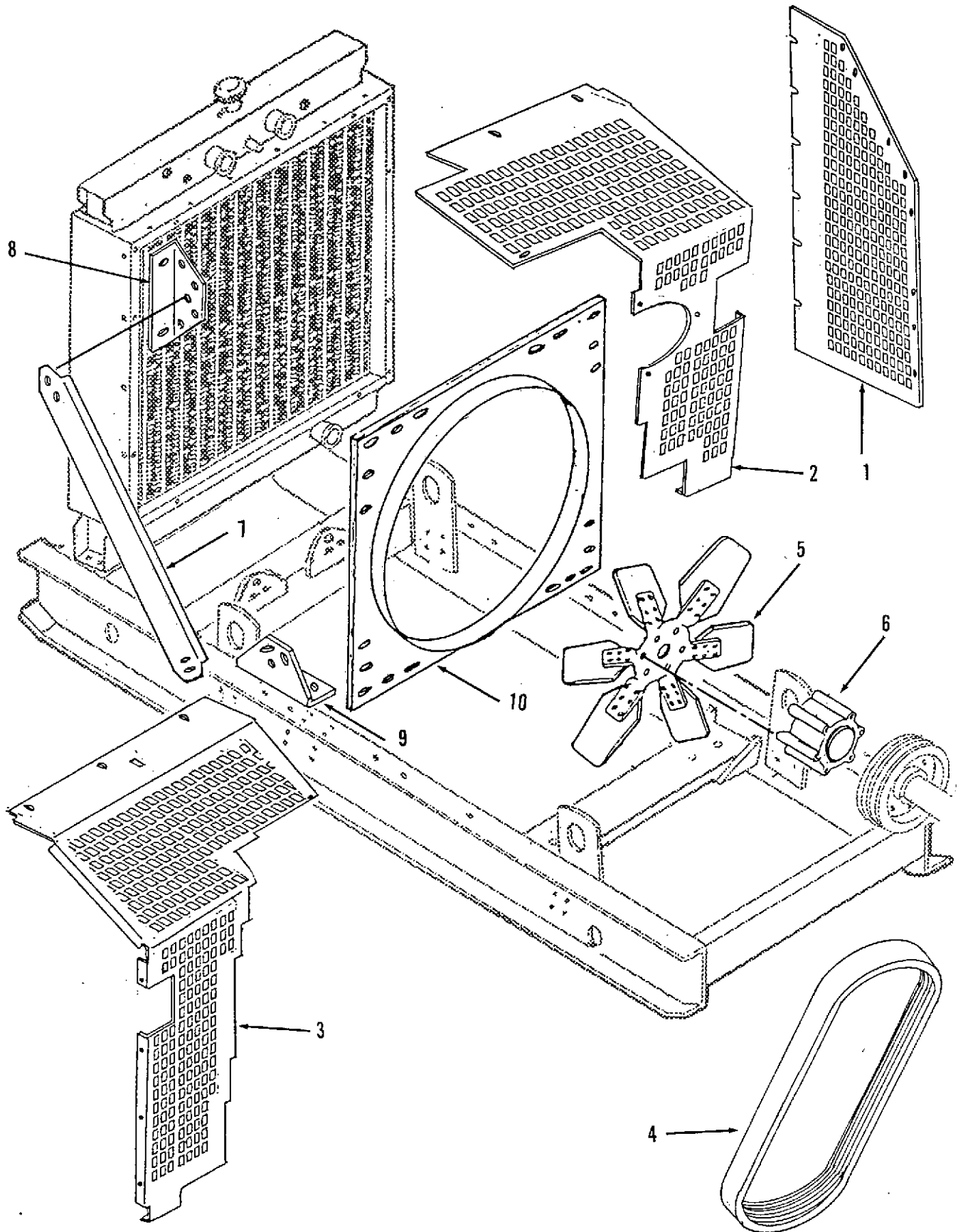




**External Engine Components  
Right Side**

REF NO.	CPS PART NO.	CEC PART NO.	QTY USED	PART DESCRIPTION
1	151-0636-01	3034572	1	Pickup, Magnetic with Harness
2				Switch, Pressure - Oil
	309-0565-01	3034864	1	Standard, 3 Wire Harness
	309-0566	3034863	1	Pre-Alarm System, 4 Wire Harness
3	302-1853	3015237	1	Transducer (Sender), Pressure - Oil
4		3313279	2	Filter, Oil [LF670]
5	302-1854	3015238	1	Transducer (Sender), Temperature - Engine Oil
6		3315847	2	Filter, Fuel - With Drain [FF105D]
7	338-2307	3053030	1	Harness, Wiring - Engine

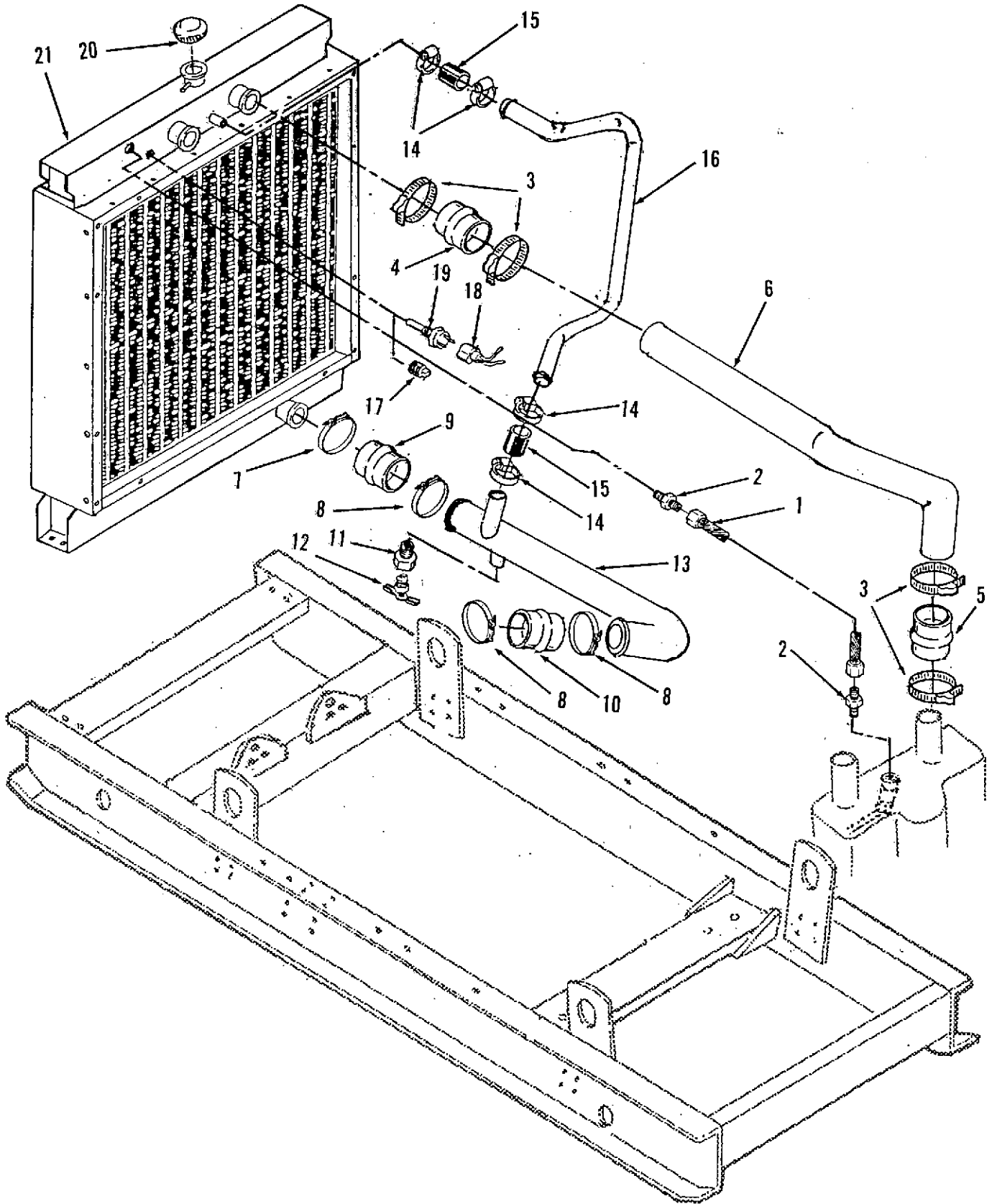
# Fan, Fan Guards



## Fan, Fan Guards

REF NO.	CPS PART NO.	CEC PART NO.	QTY USED	PART DESCRIPTION
1	130-3258	3011291	2	Guard, Fan - Side
2	130-3260	3021669	1	Guard, Fan - Top & Rear, Left Side
3	130-3259	3021668	1	Guard, Fan - Top & Rear, Right Side
4	511-0162	3002203	1	Belt, Drive - Fan
5	130-3263	3037710	1	Fan, Cooling - Pusher
6	130-3265	3045665	1	Spacer, Fan
7	130-3251-01	3001346	2	Brace
8	130-3250	3001347	2	Bracket, Upper - Radiator Support
9	130-3256	3003717	2	Bracket, Lower - Radiator Support
10	130-3266	3050389	1	Shroud, Fan

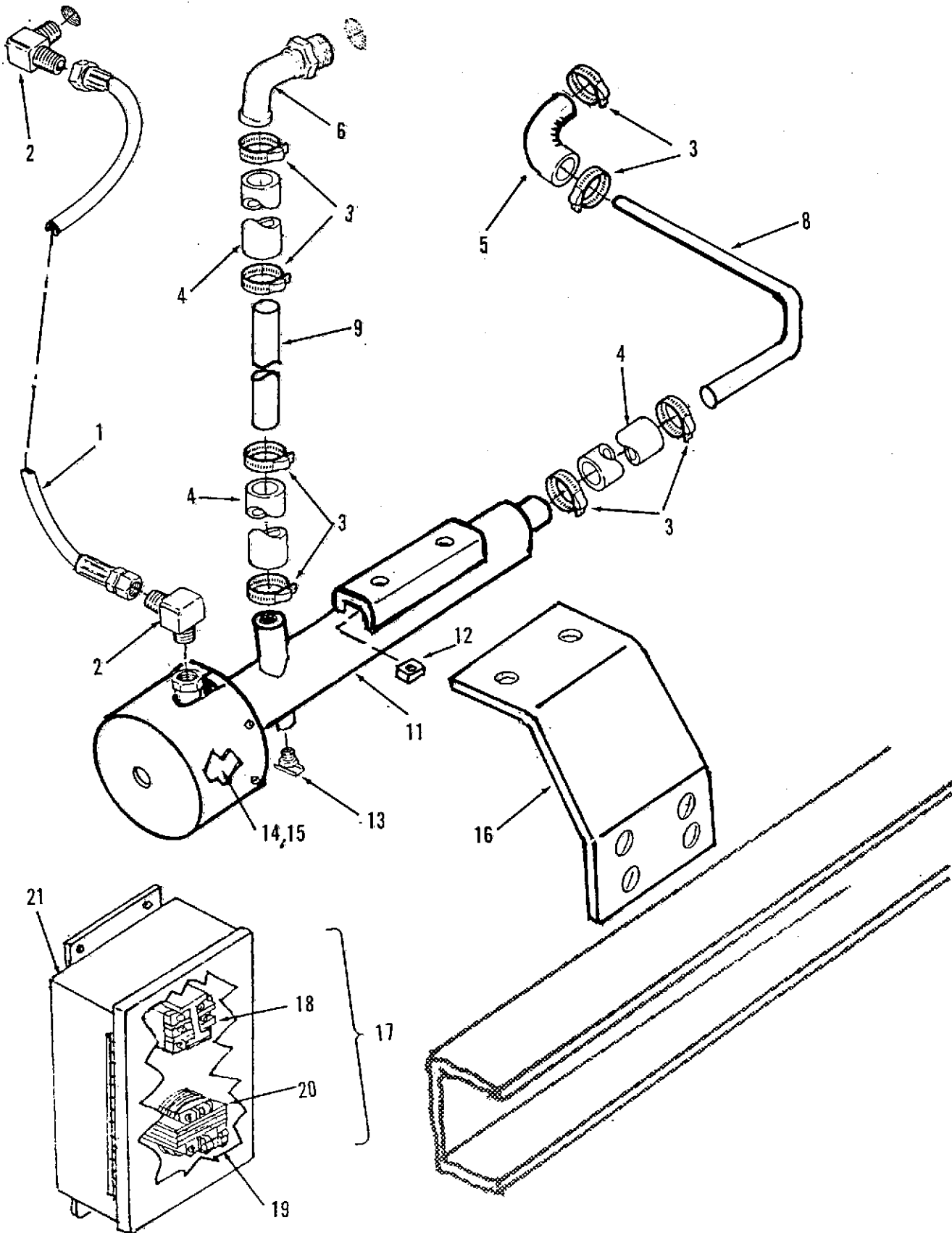
# Cooling System - Radiator



## Cooling System - Radiator

REF NO.	CPS PART NO.	CEC PART NO.	QTY USED	PART DESCRIPTION
1	501-0537-06	AS5033SS	1	Hose Assembly, Fuel
2	502-1045-12	143950	2	Connector, Pipe
3	503-1586	43828d	8	Clamp, Hose
4	503-1617	67369C	2	Hose (2-1/2"ID x 3"LG)
5	503-1614	67369	2	Hose (2-1/2"IF x 4"LG)
6	130-3261-01	3001356	2	Tube, Water - Upper
7	503-1585-01	125739	1	Clamp, Hose - T-Bolt
8	503-1585-13	140315	3	Clamp, Hose - T-Bolt
9	503-1615	60985	1	Hose (3-1/2"ID x 3-1/2"LG)
10	503-1613	64978	1	Hose (3-1/2"ID x 5"LG)
11	504-0028	107947	1	Cock, Drain
12	505-1381	S921D	1	Bushing, Reducer - Hex
13	130-3264-01	3004245	1	Tube, Water - Lower
14	503-1603	42828A	4	Clamp, Hose
15	503-1616	200517	2	Hose (1"ID x 3"LG)
16	130-3267	3052360	1	Tube, Water - Fill
17	505-1383	S901	2	Plug, Pipe
18	338-2319	3026825	1	Harness, Wiring - Coolant Switch
19	309-0579-03	3046031	1	Switch, Low Coolant Level
20	130-0523		1	Cap, Radiator - 7 Lb
21				Radiator (Includes Front Guards)
	130-3249-04	3050217	1	KT, KTA Standard (100°C)
	130-3249-05	3050218	1	KT, KTA Hi Ambient (125°C)
	130-3249-05	3050218	1	KTTA Standard (100°C)
	130-3249-06	3050329	1	KTTA Hi Ambient (125°C)

# Heater - Engine Coolant



## Heater - Engine Coolant

REF NO.	GPS PART NO.	CEC PART NO.	QTY USED	PART DESCRIPTION
1	501-0537-07	AS4050SS	1	Hose Assembly - Oil Pressure
2	502-1043-08	112105	2	Elbow, Pipe - Male, 90 DEG
3	503-1603	43828A	8	Clamp, Hose
4	503-1602	3027706	3	Hose, Rubber
5	503-1604	170049	1	Elbow, Hose - Rubber
6	502-1049	152546		Coupling, Hose - Elbow, 45 DEG
8	130-3269	3058373	1	Tube, Water
9	130-3268	3056693	1	Tube, Water
11				Heater, Electrical - Engine Coolant (Includes Thermostat, Oil Pressure Switch, Drain Cock and Mounting Nuts)
	333-0413-08	3063473	1	4000 Watt, 208 VAC
	333-0389-02	3056182	1	4000 Watt, 240 VAC
	333-0389-04	3056184	1	4000 Watt, 480 VAC (Includes Heater Control Switch Unit)
	333-0389-06	3053979	1	4000 Watt, 120 VAC (Includes Heater Control Switch Unit)
				<b>Attaching Parts for Heater</b>
	800-0222	S114	2	Screw, Cap - Hex Head (1/4-20 x 3/4")
	850-0101	S600	2	Washer, lock - Spring (1/4")
	402-0608	3035083	2	Isolator, Vibration
	402-0609	3035084	2	Isolator, Vibration
12			2	Nut, Special(Supplied with Heater)
13	504-0003		1	Cock, Drain (1/4 NPT)
14		3059903	1	Thermostat
15		3059904	1	Switch, Pressure - Oil
16	130-3189	3056255	1	Bracket, Mounting - Heater
				<b>Attaching Parts for Bracket</b>
	800-0210	S103D	4	Screw, Cap - Hex Head (3/8-16 x 1-1/4")
	850-0103	S604	4	Washer, lock - Spring (3/8")
	871-0028	S254	4	Nut, Hex - Brass (3/8-16)
17				Switch, Control - Heater (Includes Contactor, Step-down Transformer with Fuse[480V Unit Only], Ground Lug and Box)
	309-0567-01	3056188	1	120 VAC
	309-0567-02	3056189	1	480 VAC
				<b>Attaching Parts for Switch</b>
	800-0222	S114	4	Screw, Cap - Hex Head (1/4-20 x 3/4")
	850-0101	S600	4	Washer, lock - Spring (1/4")
	862-0031	S224	4	Nut, Hex (1/4-20)
18			1	Contactor (37.5 AMP, 3 Pole, SPST, 120 VAC Coil)
19			1	Fuse (1 AMP)
20			1	Transformer, Step-down (240/480VAC Primary, 120 VAC Secondary, with Fuse Clips on output Terminals)
21			1	Box, Electrical
22	333-0390		1	Bracket, Mounting - Switch (Not Illustrated)
				<b>Attaching Parts for Bracket</b>
	800-0210	S103D	2	Screw, Cap - Hex Head (3/8-16 x 1-1/4")
	850-0103	S604	2	Washer, lock - Spring (3/8")
	871-0028	S254	2	Nut, Hex - Brass (3/8-16)

# GENERATOR SECTION

## Table of Contents

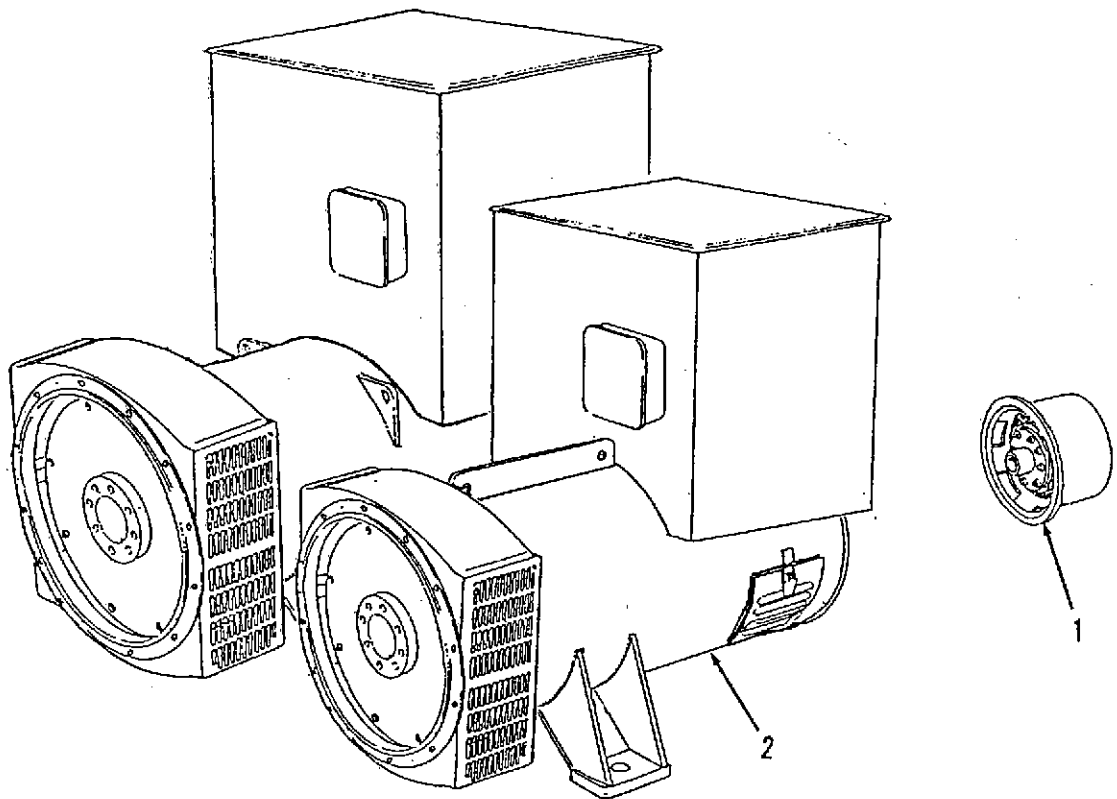
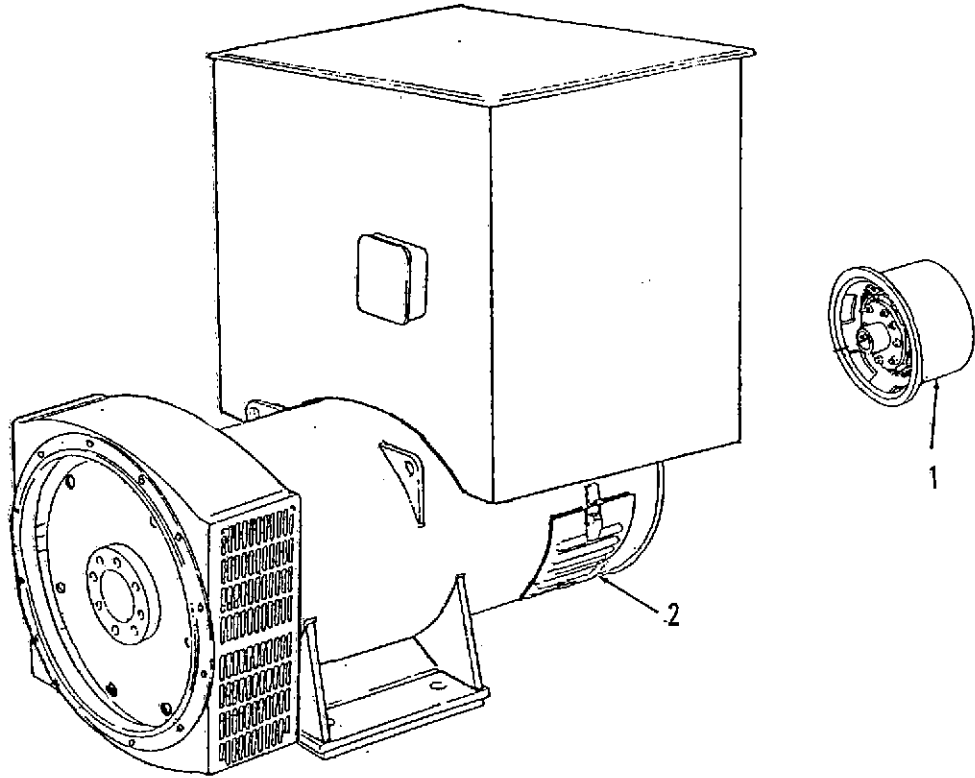
Blank for Notes.....	32
Generator Size Table .....	33
Generators SAE0/SAE18 .....	35
Generator Stator Section [Frame Size 4] .....	37
Generator Stator Section [Frame Size 5] .....	39
Generator Stator Section [Frame Size 6] .....	41
Generator Rotor Section [Frame Size 4, SAE0/SAE18].....	43
Generator Rotor Section [Frame Size 5, SAE0/SAE18].....	45
Generator Rotor Section [Frame Size 6, SAE0/SAE18].....	47
Permanent Magnet Exciter .....	48



## GENERATOR TABLE

OPTION CODE	FRAME SIZE	ADPTR SAE	DISK SAE	LEAD	KW RATING	VOLTAGE AT 60 HERTZ					AT 50 HERTZ		
						380 190	416 208	440 220	460 230	480 240	380 190	400 200	416 208
MG8310	4 E	0	18	12	Standby	290	305	315	325	335	255	260	270
					Prime	275	280	290	300	305	235	240	245
MG8311	4 F	0	18	12	Standby	340	350	360	370	380	280	290	300
					Prime Pwr	310	320	330	340	350	265	270	275
MG8316	5 C	0	18	12	Standby	400	420	440	465	475	355	365	375
					Prime Pwr	370	385	400	425	430	325	330	335
MG8317	5 D	0	18	12	Standby	425	450	475	500	515	400	410	425
					Prime	390	410	430	450	470	360	375	385
MG8318	5 E	0	18	12	Standby	515	545	570	585	600	460	475	490
					Prime Pwr	480	500	520	530	540	420	435	450
MG8319	5 F	0	18	12	Standby	570	590	620	635	650	500	515	530
					Prime Pwr	525	550	570	580	590	450	465	480
MG8320	6 AS	0	18	6	Standby	610	640	660	680	700	540	550	570
					Prime Pwr	575	600	625	640	650	500	515	525
MG8321	6 A	0	18	6	Standby	670	700	740	770	800	610	630	650
					Prime	625	650	675	710	730	555	580	600
MG8322	6 B	0	18	6	Standby	750	800	830	860	900	680	700	720
					Prime Pwr	680	730	770	800	820	620	640	660
MG8323	6 C	0	18	6	Standby	880	920	960	1000	1050	800	825	840
					Prime Pwr	820	850	880	920	950	730	750	765
MG8324	6 D	0	18	6	Standby	950	1000	1050	1100	1150	875	900	920
					Prime Pwr	880	950	990	1020	1050	800	825	850
MG8326	6 A	0	18	12	Standby	670	700	740	770	800	610	630	650
					Prime Pwr	625	650	675	710	730	555	580	600
MG8327	6 B	0	18	12	Standby	750	800	830	860	900	680	700	720
					Prime Pwr	680	730	770	800	820	620	640	660
MG8328	6 C	0	18	12	Standby	880	920	960	1000	1050	800	825	840
					Prime Pwr	820	850	880	920	950	730	750	765
MG8329	6 D	0	18	12	Standby	950	1000	1050	1100	1150	875	900	920
					Prime	880	950	990	1020	1050	800	825	850

Generators  
SAE 0 / SAE 18

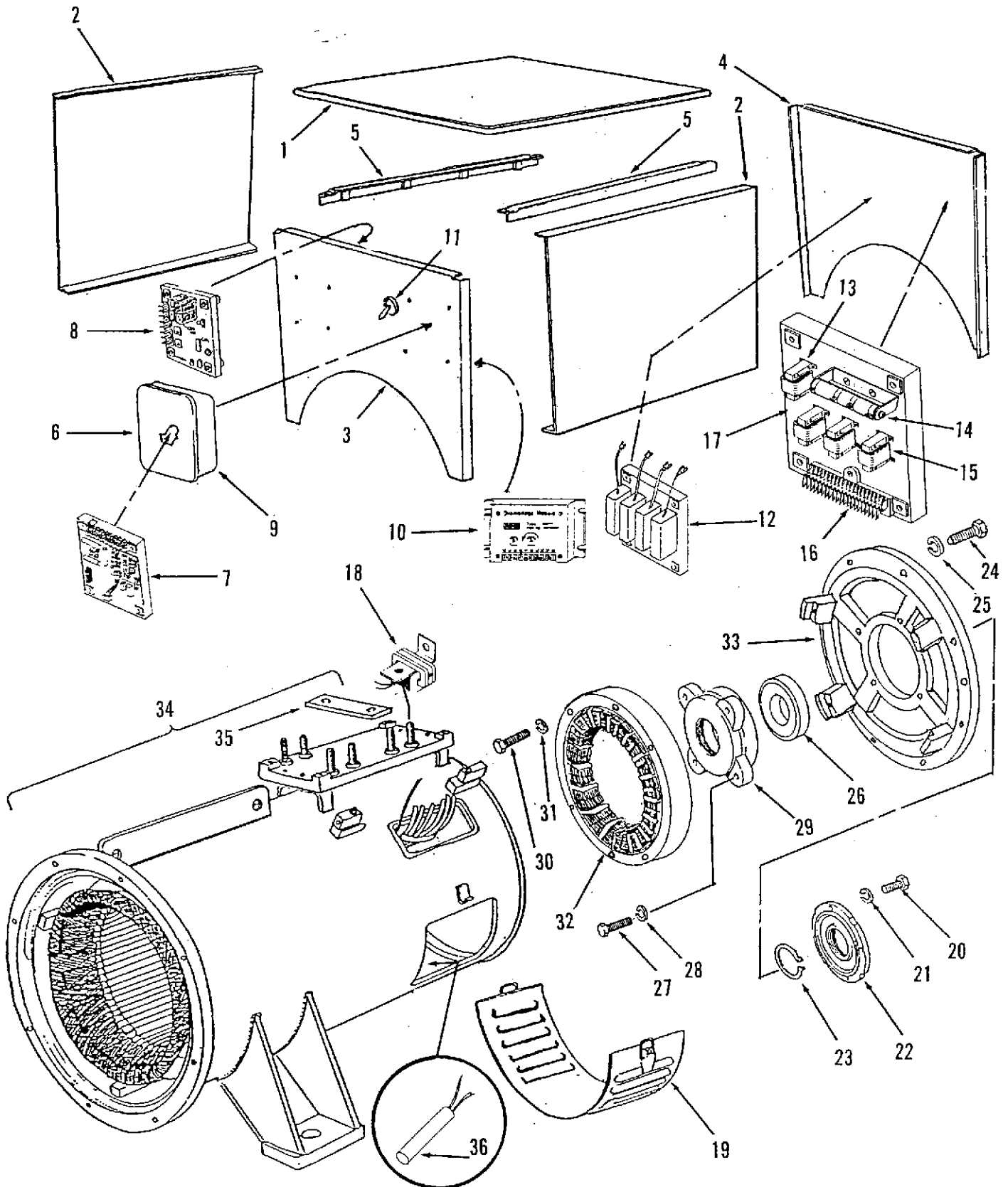


**Generators**  
**SAE 0 / SAE 18**

REF NO.	CPS PART NO.	CEC PART NO.	QTY USED	PART DESCRIPTION
1			1	Module, Permanent Magnet Exciter (See Separate Page for Components)
				<b>Attaching Parts For Module</b>
	249-0298		4	Screw, Cap - Hex Head (M8 x 16mm)
	249-0218		4	Washer, Lock (M8)
	249-0315		4	Clamp, Retaining
2	Note 1			Generator [Includes PMG Exciter] (See Separate Pages for Stator and Rotor Components)
				<b>Attaching Parts Generator To Skid</b>
				<b>Frames 4 and 5</b>
	800-0240	138148	2	Screw, Cap - Hex Head (7/8-9 x 5")
	850-0108	S612	2	Washer, Lock - Spring (7/8")
	526-0348	S640	4	Washer, Flat (3/4")
	370-4045	3052064	2	Spacer
	862-0036	S203	2	Nut, Hex (7/8-9)
				<b>Frame 6</b>
	800-0242	S161	2	Screw, Cap - Hex Head (1-8 x 3-1/2")
	850-0109	S613	2	Washer, Lock - Spring (1")
	526-0360	146180	4	Washer, Flat (1")
	862-0037	S222	2	Nut, Hex (1-8)
				<b>Attaching Parts Adapter to Flywheel Housing</b>
				<b>Frame 4</b>
	800-0238	S145	2	Screw, Cap - Hex Head (1/2-13 x 1-1/4")
	800-0236	S106	14	Screw, Cap - Hex Head (1/2-13 x 1-3/4")
	850-0105	S608	16	Washer, Lock - Spring (1/2")
				<b>Frame 5</b>
	800-0215	S113	8	Screw, Cap - Hex Head (1/2-13 x 1-1/2")
	800-0216	S125	4	Screw, Cap - Hex Head (1/2-13 x 2")
	850-0105	S608	12	Washer, Lock - Spring (1/2")
				<b>Frame 6</b>
	800-0238	S145	2	Screw, Cap - Hex Head (1/2-13 x 1-1/4")
	800-0236	S106	14	Screw, Cap - Hex Head (1/2-13 x 1-3/4")
	850-0105	S608	16	Washer, Lock - Spring (1/2")
				<b>Attaching Parts Drive Disc to Flywheel</b>
	815-0719	206332	6	Screw, Cap - 12 Point Drive (5/8-11 x 1-1/4")
	526-0362	200861	6	Washer, Flat (5/8")

**Note 1:** For replacement Generator please supply the complete Gen Set nameplate and Generator nameplate data.

Generator  
Stator Section  
Frame 4

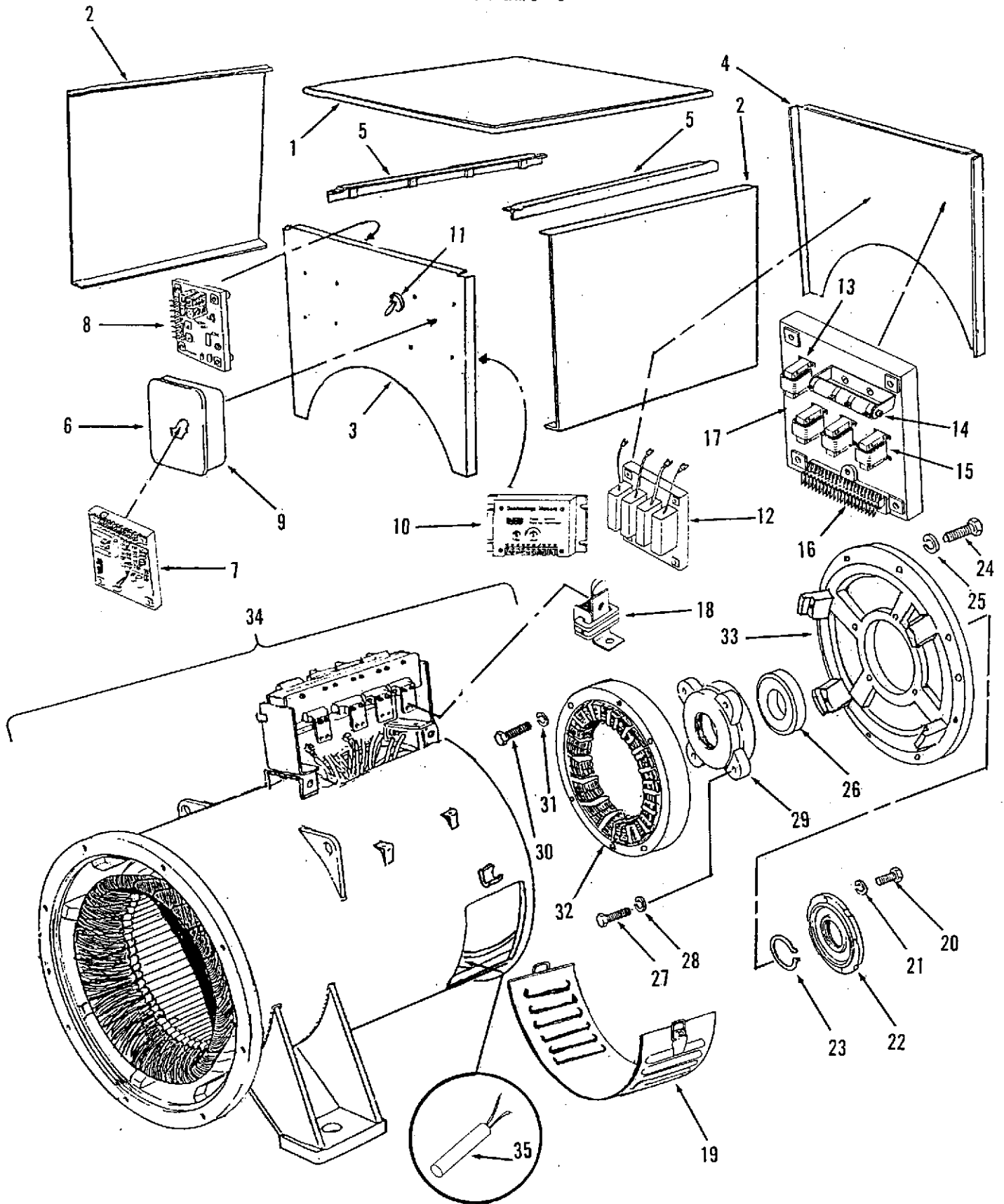


**Generator  
Stator Section  
Frame 4**

REF NO.	CPS PART NO.	CEC PART NO.	QTY USED	PART DESCRIPTION
1	NFS		1	Lid
2	NFS		2	Panel, Side
3	NFS		1	Panel, Front
4	NFS		1	Panel, Rear
5	NFS		2	Bracket, Angle
6	249-0631		2	Lid, Electrical Box - Plain
				<b>Attaching Parts</b>
	249-0304		8	Screw, Captive
7				Regulator, Voltage
	305-0770		1	Standard 1 Phase
	305-0778		1	3 Phase (Used with 3 Phase Sensing Module)
	305-0803		1	Manual
				<b>Attaching Parts</b>
	249-0398		4	Pillar, Threaded
8	300-3278		1	Module, 3 Phase Sensing
				<b>Attaching Parts</b>
	249-0398		4	Pillar, Threaded
9	249-0395		2	Box, Electrical
10	249-0486		1	Module, Overvoltage
				<b>Attaching Parts</b>
	249-0295		4	Screw, Cap - Hex Head (M5 x 35mm)
	249-0288		4	Washer, Plastic (M5)
	249-0287		4	Nut, Hex - Nylon (M5)
11	249-0449		1	Switch
12	249-0569		1	RFI Suppressor Assy
13	302-1851		1	Choke
14	354-0031		1	Resistor, Adjustable
15	249-0504		3	Transformer, Voltage Sensing
16	249-0289		3	Block, Terminal
17	249-0424		1	Panel, Terminal Block Mounting
18	302-1852-02		3	Transformer, Current
19	249-0438		2	Grille, Inlet - Air
20	249-0243		4	Screw, Cap - Hex Head (M10 x 30mm)
21	249-0202		4	Washer, Lock - Spring (M10)
22	249-0242		1	Cap, Bearing - Outer
23	249-0232		1	Circlip
24	249-0201		8	Screw, Cap - Hex Head (M10 x 35mm)
25	249-0202		8	Washer, Lock - Spring (M10)
26	249-0241		1	Bearing, Ball
27	249-0245		4	Screw, Cap - Hex Head (M10 x 50mm)
28	249-0202		4	Washer, Lock - Spring (M10)
29	249-0244		1	Cap, Bearing - Inner
30	249-0256		6	Screw, Cap - Hex Head (M6 x 65mm)
31	249-0212		6	Washer, Lock - Spring (M6)
32	249-0255		1	Stator, Exciter
33	249-0200		1	Bracket, End
34	NFS		1	Stator, Generator (Includes Terminal Studs and Links)
				<b>Attaching Parts Stator to Adapter</b>
	249-0204		8	Screw, Cap - Hex Head (M12 x 40mm)
	249-0205		8	Washer, Lock - Spring (M12)
35	249-0200		4	Link, Terminal
36				Heater, Electrical - Replacement
	249-0621		1	70 Watt, 120 VAC
	249-0622		1	70 Watt, 240 VAC

NFS - Not For Sale

Generator  
Stator Section  
Frame 5

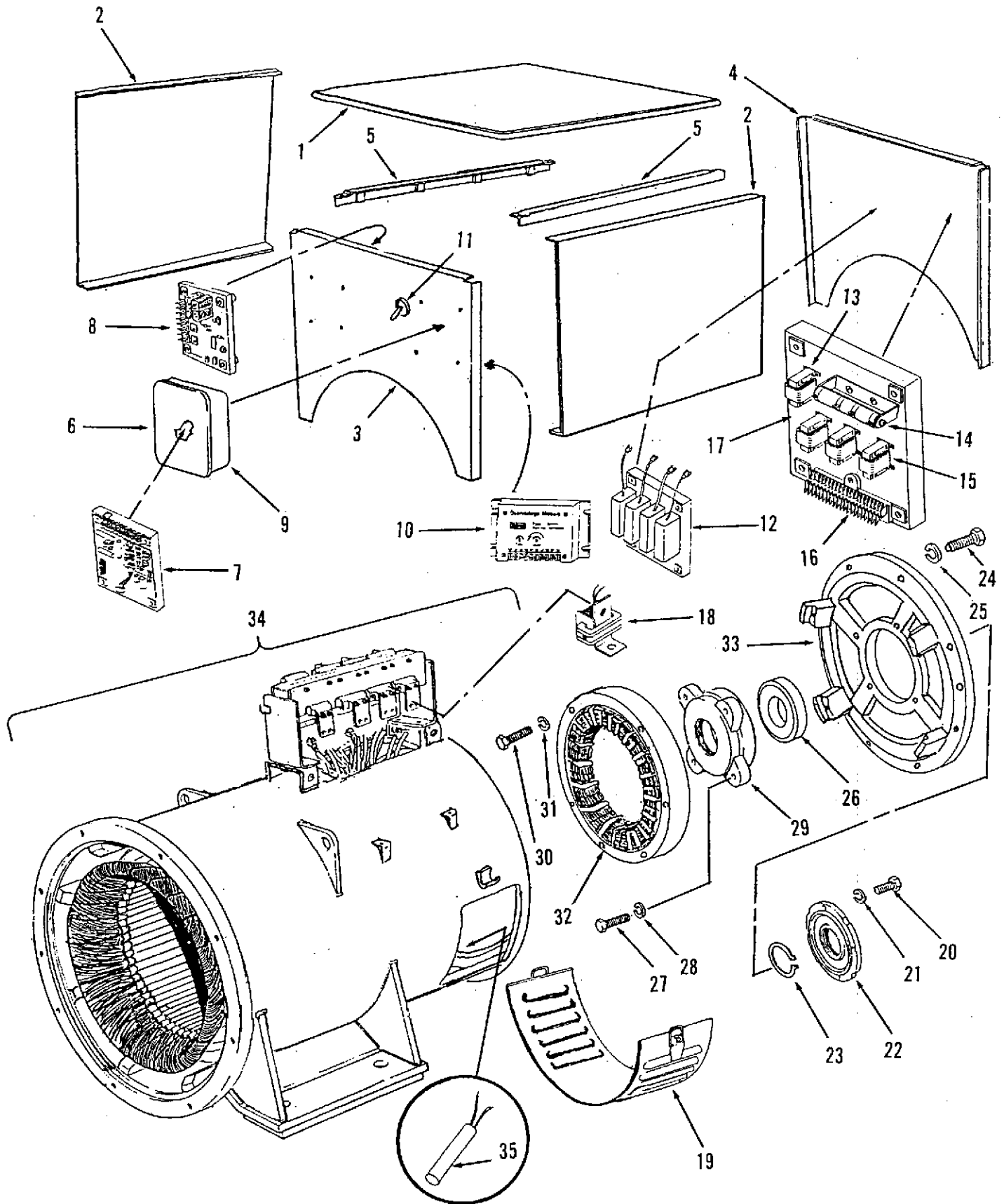


**Generator  
Stator Section  
Frame 5**

REF NO.	CPS PART NO.	CEC PART NO.	QTY USED	PART DESCRIPTION
1	NFS		1	Lid
2	NFS		2	Panel, Side
3	NFS		1	Panel, Front
4	NFS		1	Panel, Rear
5	NFS		2	Bracket, Angle
6	249-0631		2	Lid, Electrical Box - Plain
				<b>Attaching Parts</b>
	249-0304		8	Screw, Captive
7				Regulator, Voltage
	305-0770		1	Standard 1 Phase
	305-0778		1	3 Phase (Used with 3 Phase Sensing Module)
	305-0803		1	Manual
				<b>Attaching Parts</b>
	249-0398		4	Pillar, Threaded
8	300-3278		1	Module, 3 Phase Sensing
				<b>Attaching Parts</b>
	249-0398		4	Pillar, Threaded
9	249-0395		2	Box, Electrical
10	249-0486		1	Module, Overvoltage
				<b>Attaching Parts</b>
	249-0295		4	Screw, Cap - Hex Head (M5 x 35mm)
	249-0288		4	Washer, Plastic (M5)
	249-0287		4	Nut, Hex - Nylon (M5)
11	249-0449		1	Switch
12	249-0569		1	RFI Suppressor Assy
13	302-1851		1	Choke
14	354-0031		1	Resistor, Adjustable
15	249-0504		3	Transformer, Voltage Sensing
16	249-0289		3	Block, Terminal
17	249-0424		1	Panel, Terminal Block Mounting
18	302-1852-02		3	Transformer, Current
19	249-0408		2	Grille, Inlet - Air
20	249-0243		4	Screw, Cap - Hex Head (M10 x 30mm)
21	249-0202		4	Washer, Lock - Spring (M10)
22	249-0242		1	Cap, Bearing - Outer
23	249-0232		1	Circlip
24	249-0201		8	Screw, Cap - Hex Head (M10 x 35mm)
25	249-0202		8	Washer, Lock - Spring (M10)
26	249-0241		1	Bearing, Ball
27	249-0245		4	Screw, Cap - Hex Head (M10 x 50mm)
28	249-0202		4	Washer, Lock - Spring (M10)
29	249-0244		1	Cap, Bearing - Inner
30	249-0256		6	Screw, Cap - Hex Head (M6 x 65mm)
31	249-0212		6	Washer, Lock - Spring (M6)
32	249-0255		1	Stator, Exciter
33	249-0272		1	Bracket, End
34	NFS		1	Stator, Generator (Includes Terminal Studs and Links)
				<b>Attaching Parts Stator to Adapter</b>
	249-0204		8	Screw, Cap - Hex Head (M12 x 40mm)
	249-0205		8	Washer, Lock - Spring (M12)
35				Heater, Electrical - Replacement
	249-0621		1	70 Watt, 120 VAC
	249-0622		1	70 Watt, 240 VAC

NFS - Not For Sale

Generator  
Stator Section  
Frame 6



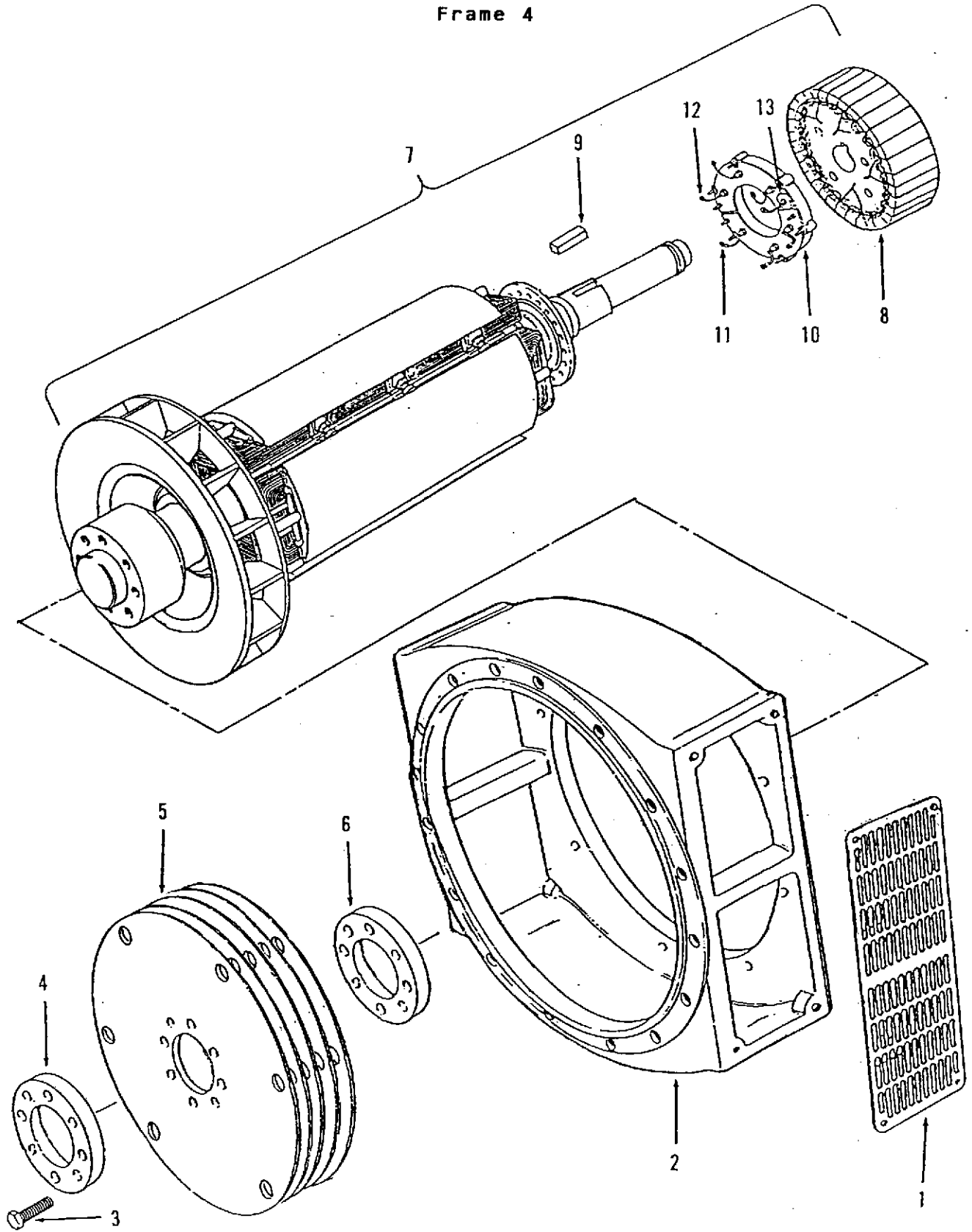


**Generator  
Stator Section  
Frame 6**

REF NO.	CPS PART NO.	CEC PART NO.	QTY USED	PART DESCRIPTION
1	NFS		1	Lid
2	NFS		2	Panel, Side
3	NFS		1	Panel, Front
4	NFS		1	Panel, Rear
5	NFS		2	Bracket, Angle
6	249-0425		2	Lid
	249-0304		8	Attaching Parts Screw, Captive
7				Regulator, Voltage
	305-0770		1	Standard
	305-0778		1	3 Phase (Used with 3 Phase Sensing Module)
	305-0803		1	Manual
	249-0398		4	Attaching Parts Pillar, Threaded
8	302-3278		1	Module, 3 Phase Sensing
	249-0398		4	Attaching Parts Pillar, Threaded
9	249-0395		2	Box
10	249-0486		1	Module, Overvoltage
	249-0295		4	Attaching Parts Screw, Cap - Hex Head (M5 x 35mm)
	249-0288		4	Washer, Plastic (M5)
	249-0287		4	Nut, Hex - Nylon (M5)
11	249-0449		1	Switch
12	249-0569		1	RFI Suppressor Assy
13	302-1851		1	Choke
14	354-0031		1	Resistor, Adjustable
15	249-0504		3	Transformer, Voltage Sensing
16	249-0289		3	Block, Terminal
17	249-0424		1	Panel, Terminal Block Mounting
18	302-1852-02		3	Transformer, Current
19	249-0513		2	Grille, Inlet - Air
20	249-0243		4	Screw, Cap - Hex Head (M10 x 30mm)
21	249-0202		4	Washer, Lock - Spring (M10)
22	249-0510		1	Cap, Bearing - Outer
23	249-0447		1	Circlip
24	249-0204		8	Screw, Cap - Hex Head (M12 x 40mm)
25	249-0205		8	Washer, Lock - Spring (M12)
26	249-0448		1	Bearing, Ball
27	249-0245		4	Screw, Cap - Hex Head (M10 x 50mm)
28	249-0202		4	Washer, Lock - Spring (M10)
29	249-0509		1	Cap, Bearing - Inner
30	249-0445		6	Screw, Cap - Hex Head (M6 x 85mm)
31	249-0212		6	Washer, Lock - Spring (M6)
32	249-0470		1	Stator, Exciter
33	249-0527		1	Bracket, End
34	NFS		1	Stator, Generator (Includes Terminal Studs and Links)
	249-0204		8	Attaching Parts Stator to Adapter Screw, Cap - Hex Head (M12 x 40mm)
	249-0205		8	Washer, Lock - Spring (M12)
35				Heater, Electrical - Replacement
	249-0621		1	70 Watt, 120 VAC
	249-0622		1	70 Watt, 240 VAC

NFS - Not For Sale

Generator  
Rotor Section  
SAE 0/ SAE 18  
Frame 4

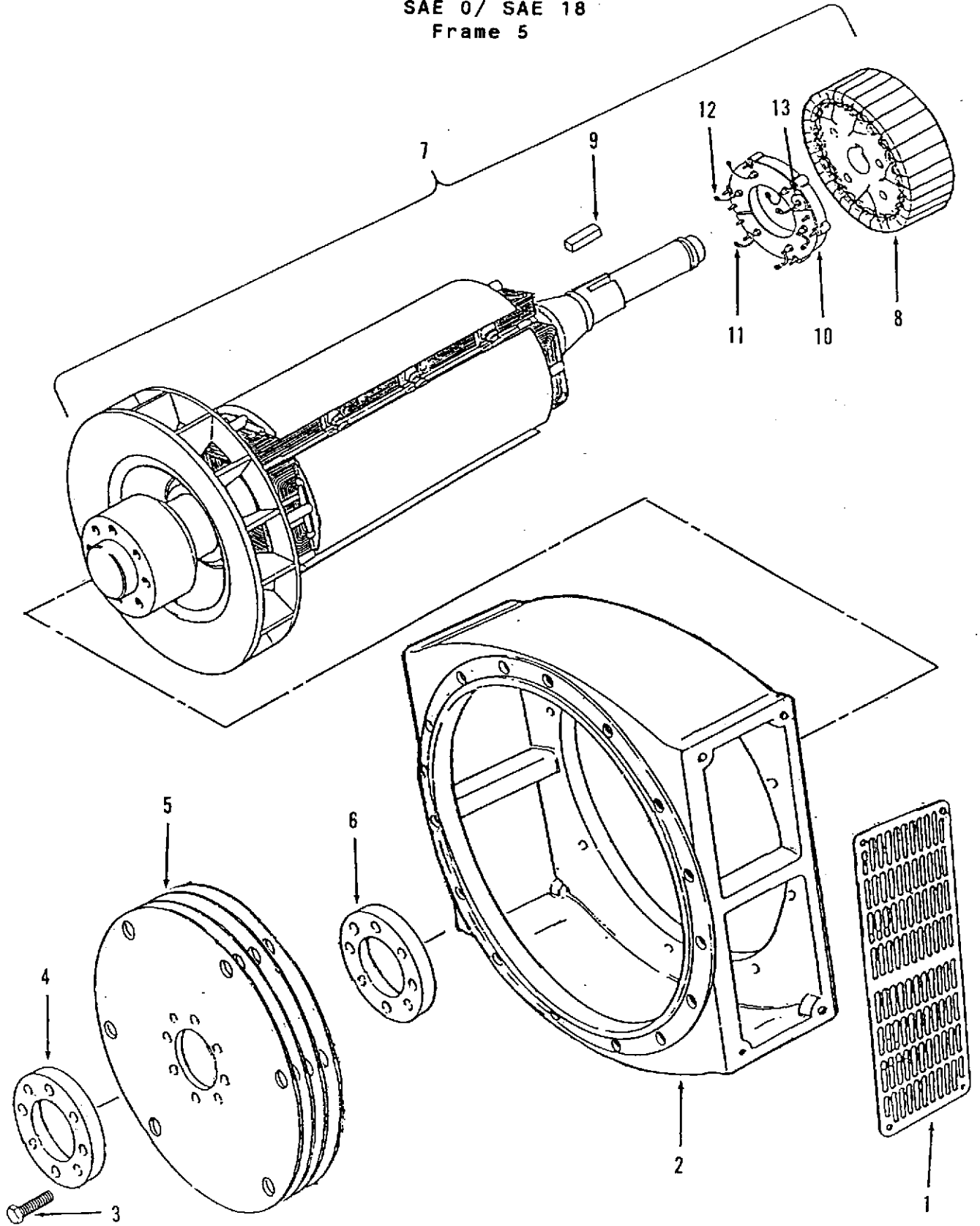


Generator  
Rotor Section  
SAE 0/ SAE 18  
Frame 4

REF NO.	CPS PART NO.	CEC PART NO.	QTY USED	PART DESCRIPTION
1	249-0311		2	Screen, Air - Adapter
				Attaching Parts
	249-0294		12	Screw, Cap - Hex Head (M5 x 12mm)
	249-0307		12	Washer, Lock - Spring (M5)
	249-0365		12	Washer, Flat (M5)
2	249-0435		1	Adapter, Generator SAE 0
3	249-0231		8	Screw, Cap - Hex Head (M20 x 50mm)
4	249-0230		1	Plate, Pressure
5	249-0276		5	Disc, Drive SAE 18
7	NFS		1	Rotor, Generator (Includes Exciter, Key, and Rectifier Assy)
8	249-0321		1	Rotor, Exciter (Does Not Include Rectifier Assy)
9	249-0271		1	Key
10	249-0237		1	Rectifier Assy (Includes Diodes)
11	249-0239		3	Diode, Forward Polarity
12	249-0238		3	Diode, Reverse Polarity
13	249-0240		1	Varister

NFS - Not For Sale

Generator  
Rotor Section  
SAE 0/ SAE 18  
Frame 5

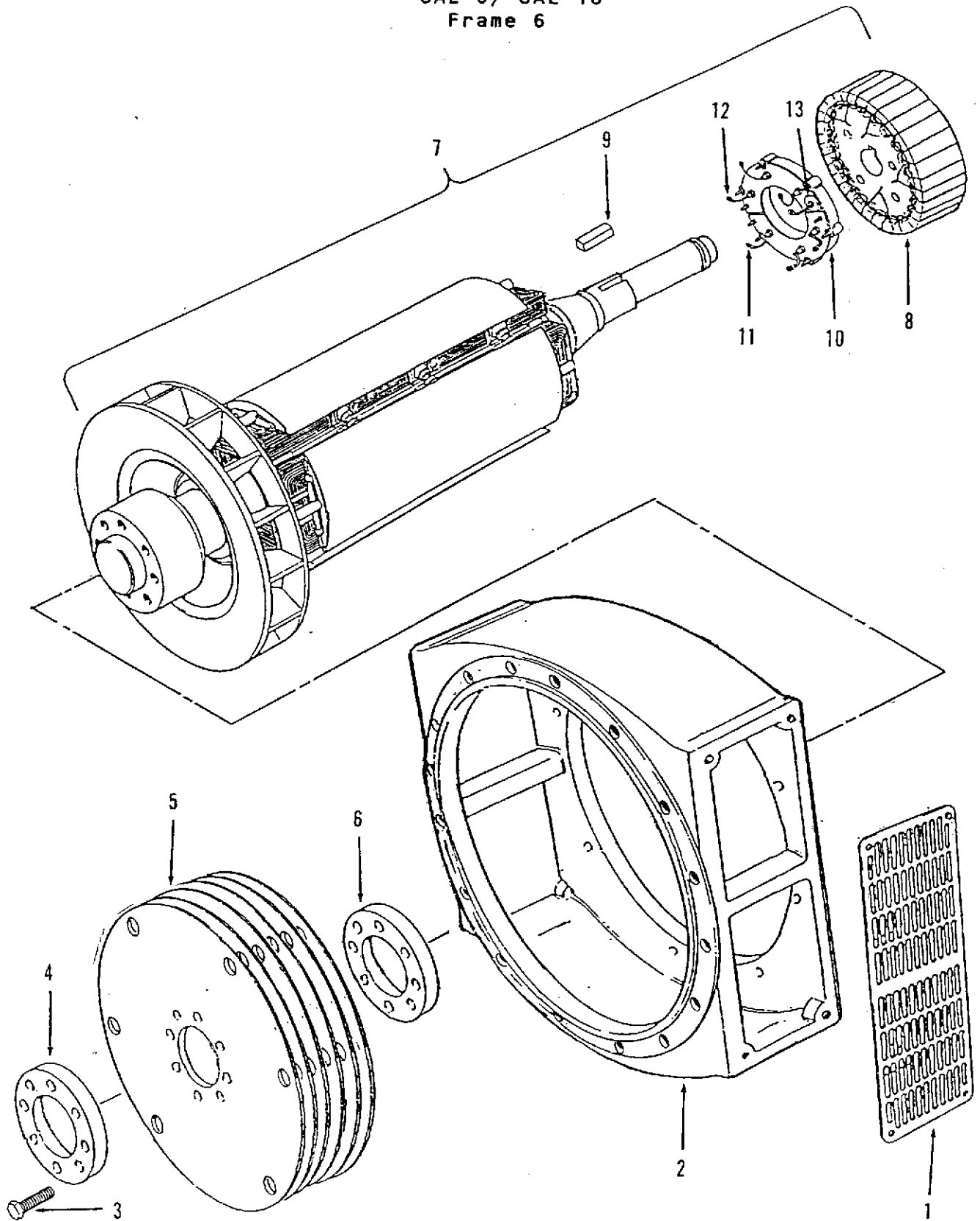


Generator  
Rotor Section  
SAE 0/ SAE 18  
Frame 5

REF NO.	CPS PART NO.	CEC PART NO.	QTY USED	PART DESCRIPTION
1	249-0408		2	Screen, Air - Adapter
	249-0294		12	Attaching Parts
	249-0307		12	Screw, Cap - Hex Head (M5 x 12mm)
	249-0365		12	Washer, Lock - Spring (M5)
	249-0322		12	Washer, Flat (M5)
2	249-0322		1	Adapter, Generator SAE 0
3	249-0437		8	Screw, Cap - Hex Head (M20 x 75mm)
4	249-0230		1	Plate, Pressure
5	249-0276		4	Disc, Drive SAE 18
6	249-0277		1	Spacer
7	NFS		1	Rotor, Generator (Includes Exciter, Key, and Rectifier Assy)
8	249-0522		1	Rotor, Exciter (Does Not Include Rectifier Assy)
9	249-0271		1	Key
10	249-0237		1	Rectifier Assy (Includes Diodes)
11	249-0239		3	Diode, Forward Polarity
12	249-0238		3	Diode, Reverse Polarity
13	249-0240		1	Varister

NFS - Not For Sale

Generator  
Rotor Section  
SAE 0/ SAE 18  
Frame 6

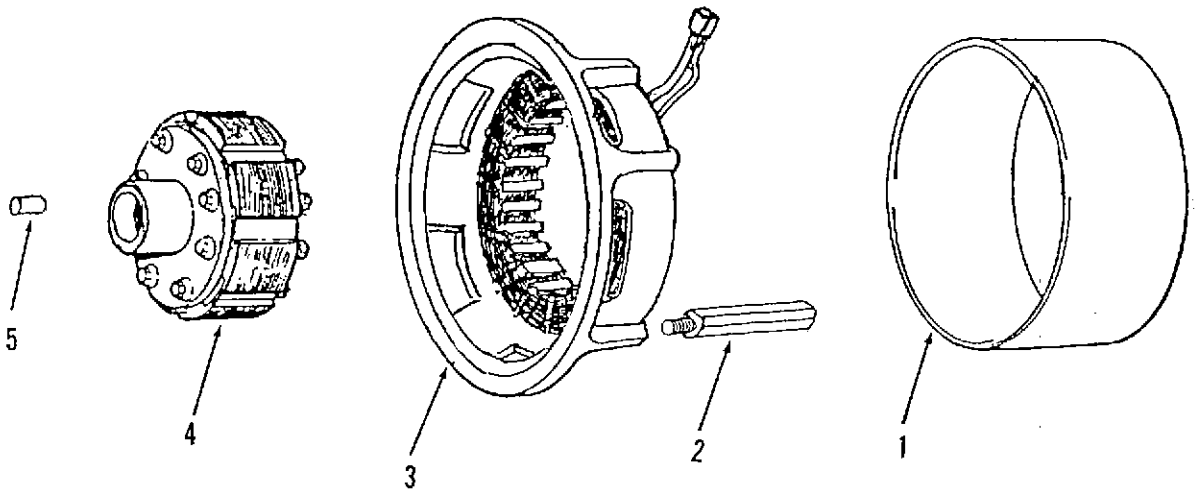


Generator  
Rotor Section  
SAE 0/ SAE 18  
Frame 6

REF NO.	CPS PART NO.	CEC PART NO.	QTY USED	PART DESCRIPTION
1	249-0534		2	Screen, Air - Adapter
				Attaching Parts
	249-0294		12	Screw, Cap - Hex Head (M5 x 12mm)
	249-0307		12	Washer, Lock - Spring (M5)
	249-0365		12	Washer, Flat (M5)
2	249-0533		1	Adapter, Generator SAE 0
3	249-0437		8	Screw, Cap - Hex Head (M20 x 75mm)
4	249-0230		1	Plate, Pressure
5	249-0276		6	Disc, Drive SAE 18
6	249-0277		1	Spacer
7	NFS		1	Rotor, Generator (Includes Exciter, Key, and Rectifier Assy)
8	249-0512		1	Rotor, Exciter (Does Not Include Rectifier Assy)
9			1	Key
10	249-0237		1	Rectifier Assy (Includes Diodes)
11	249-0239		3	Diode, Forward Polarity
12	249-0238		3	Diode, Reverse Polarity
13	249-0240		1	Varister

NFS - Not For Sale

## Generator Permanent Magnet Exciter



REF NO.	CPS PART NO.	CEC PART NO.	QTY USED	PART DESCRIPTION
1	249-0497		1	Cover, Permanent Magnet
	249-0294		3	Attaching Parts For Cover
	249-0307		3	Screw, Cap - Hex Head (M5 x 12mm)
			3	Washer, Lock (M5)
2	249-0496		3	Pillar, Threaded
3	249-0426		1	Stator Assembly with Frame
4				Rotor Assembly
	249-0427		1	Frame 2, 3, 4 Generators
	249-0644		1	Frame 5, 6, 7 Generators
				Attaching Parts For Rotor
	249-0399		1	Bolt
	249-0202		1	Washer, Lock (M10)
5	249-0313		1	Pin, Dowel

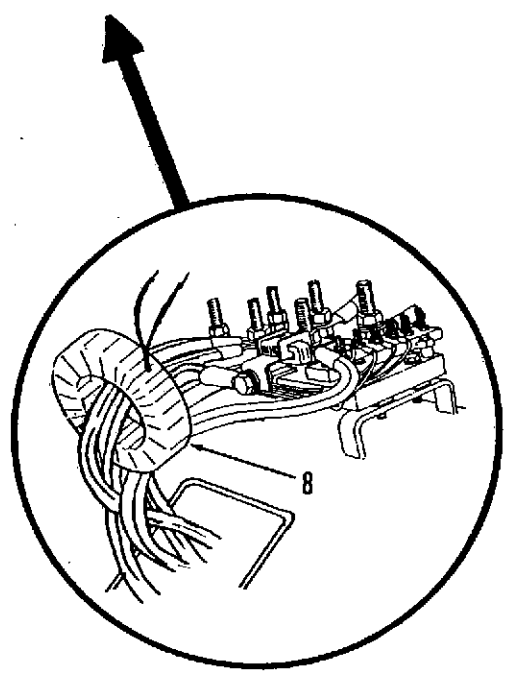
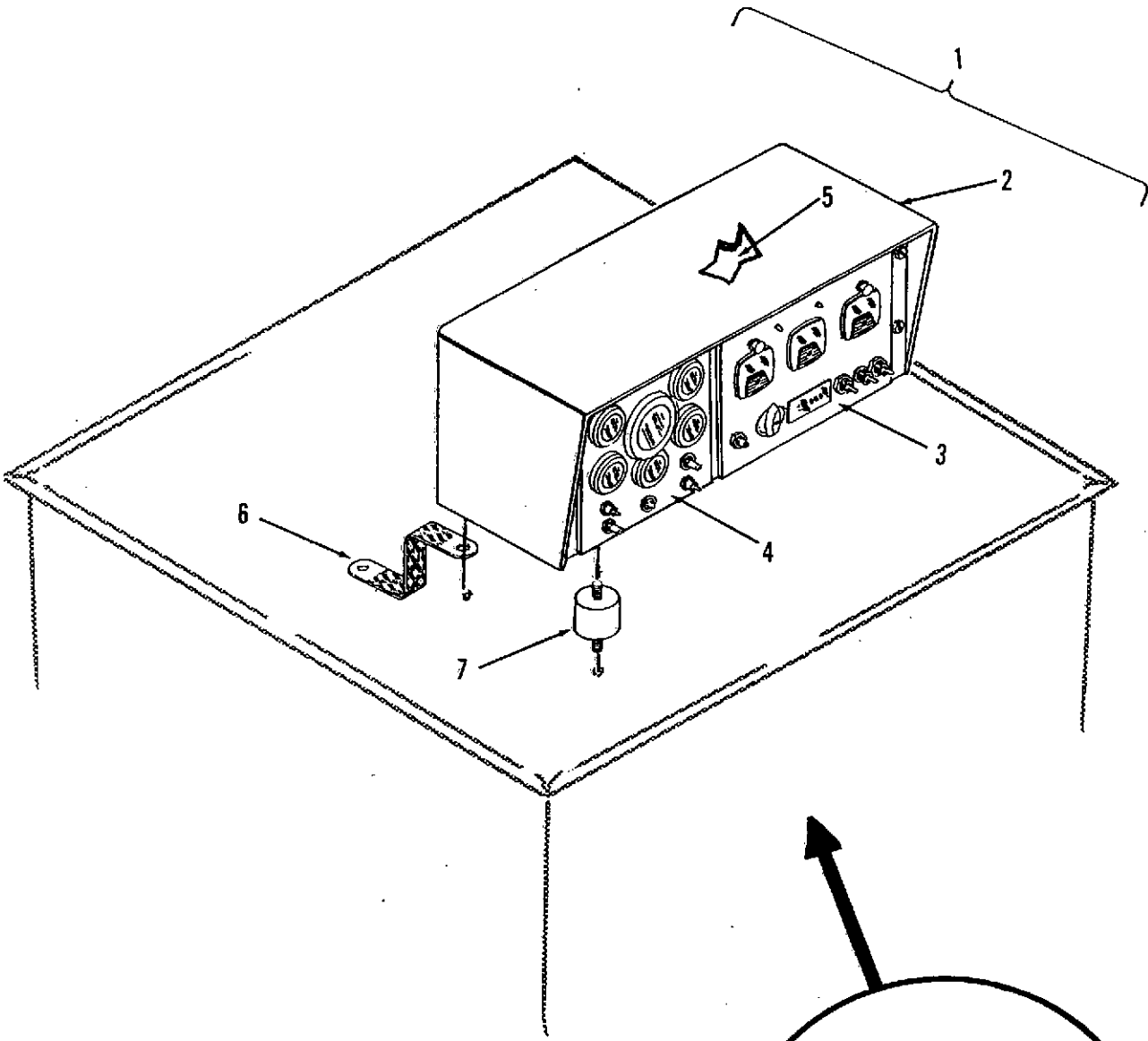


## CONTROL SECTION

### TABLE OF CONTENTS

Control, Generator Set.....	53
Control Panel, Generator (Sets with LED Indicator Lights).....	55
Control Panel, Generator (Sets with Bulb Indicator Lights).....	57
Control Panel, Engine (Sets with LED Indicator Lights).....	59
Control Panel, Engine (Sets with Bulb Indicator Lights).....	61
Control Wiring Harnesses (Sets with LED Indicator Lights).....	63
Control Wiring Harnesses (Sets with Bulb Indicator Lights).....	65
Control Internal Components (Sets with LED Ind Lights).....	66
Control Internal Components (Sets with Bulb Ind Lights).....	67
Control Alarm Module .....	68

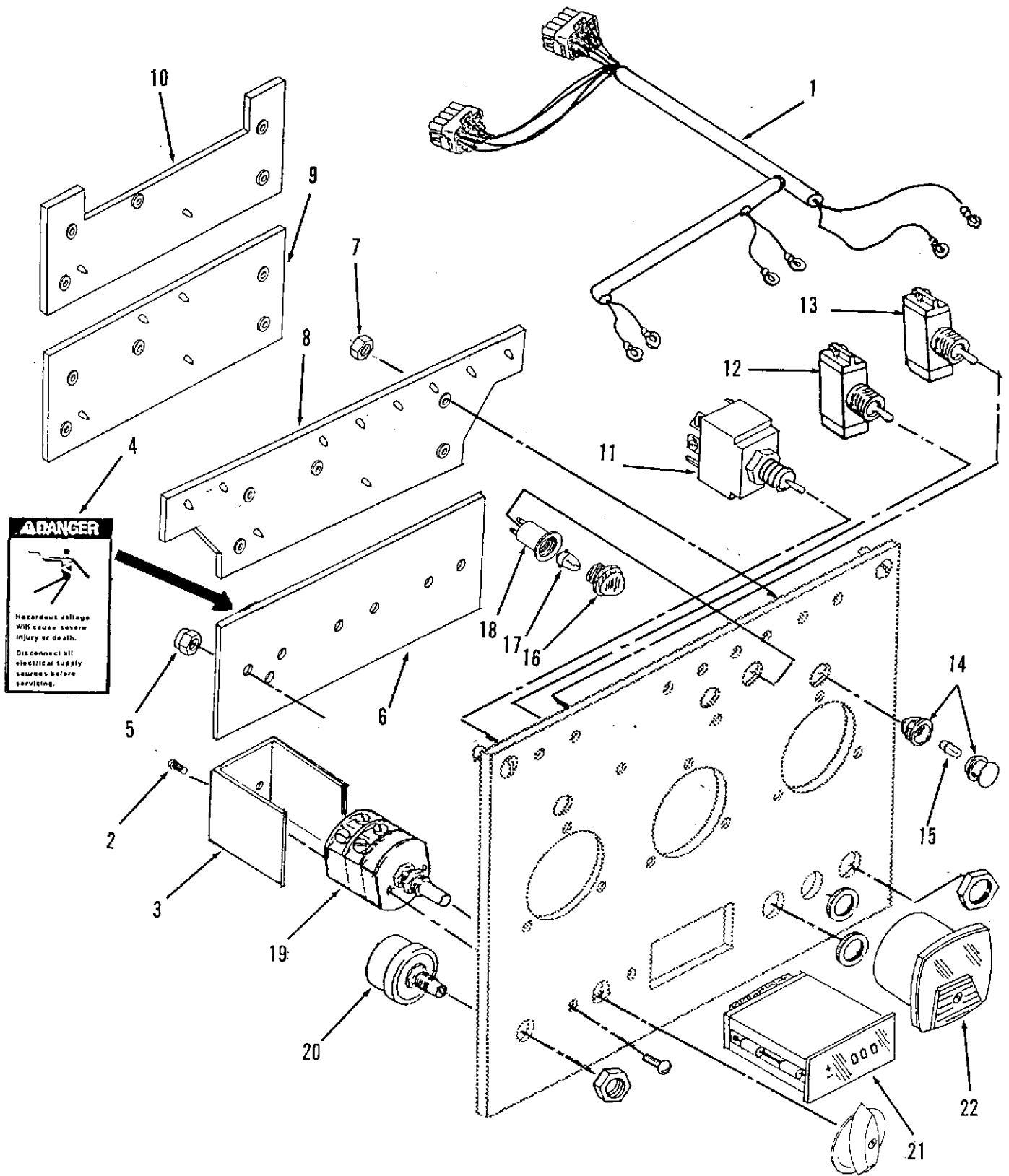
# Generator Set Control



## Generator Set Control

REF NO.	CPS PART NO.	CEC PART NO.	QTY USED	PART DESCRIPTION
1	NFS	NFS	1	Control, Generator Set (See Items 3 Thru 5 for Components)
	862-1001	70299	8	Attaching Parts for Control
	850-1040	70189	8	Nut, Hex (1/4-20)
2	NFS	NFS	1	Washer, Lock - Spring (1/4")
				Cover, Control
				Attaching Part for Cover
	815-0701	3016086	6	Screw, Machine - Round Head (1/4-20 x 1/2")
3	NFS	NFS	1	Control Panel, Generator (See Separate Pages for Components)
4	NFS	NFS	1	Control Panel, Engine (See Separate Pages for Components)
5	NFS	NFS	1	Internal Components and Wiring Harnesses (See Separate Pages Selection)
6	337-2402	3016849	1	Lead, Electrical - Ground
7	402-0610	204493	4	Mount, Vibration
8				Transformer, Current (Select as Required)
	302-1866-05	3011674	3	400:5 Ratio (Used with 200/400 AMP Ammeter)
	302-1866-09	3011678	3	600:5 Ratio (Used with 300/600 AMP Ammeter)
	302-1866-13	3011682	3	800:5 Ratio (Used with 400/800 AMP Ammeter)
	302-1866-15	3011684	3	1000:5 Ratio (Used with 500/1000 AMP Ammeter)
	302-1866-17	3011686	3	1200:5 Ratio (Used with 600/1200 AMP Ammeter and 1200 AMP Single Scale Ammeter)
	302-1866-21	3011690	3	1600:5 Ratio (Used with 800/1600 AMP Ammeter)
	302-1866-24	3014135	3	2000:5 Ratio (Used with 1000/2000 AMP Ammeter)
	302-1866-27	3051479	3	2500:5 Ratio (Used with 2500 AMP Single Scale Ammeter)
	302-1866-28	3051480	3	3000:5 Ratio (Used with 1500/3000 AMP & 3000 AMP Single Scale Ammeters)

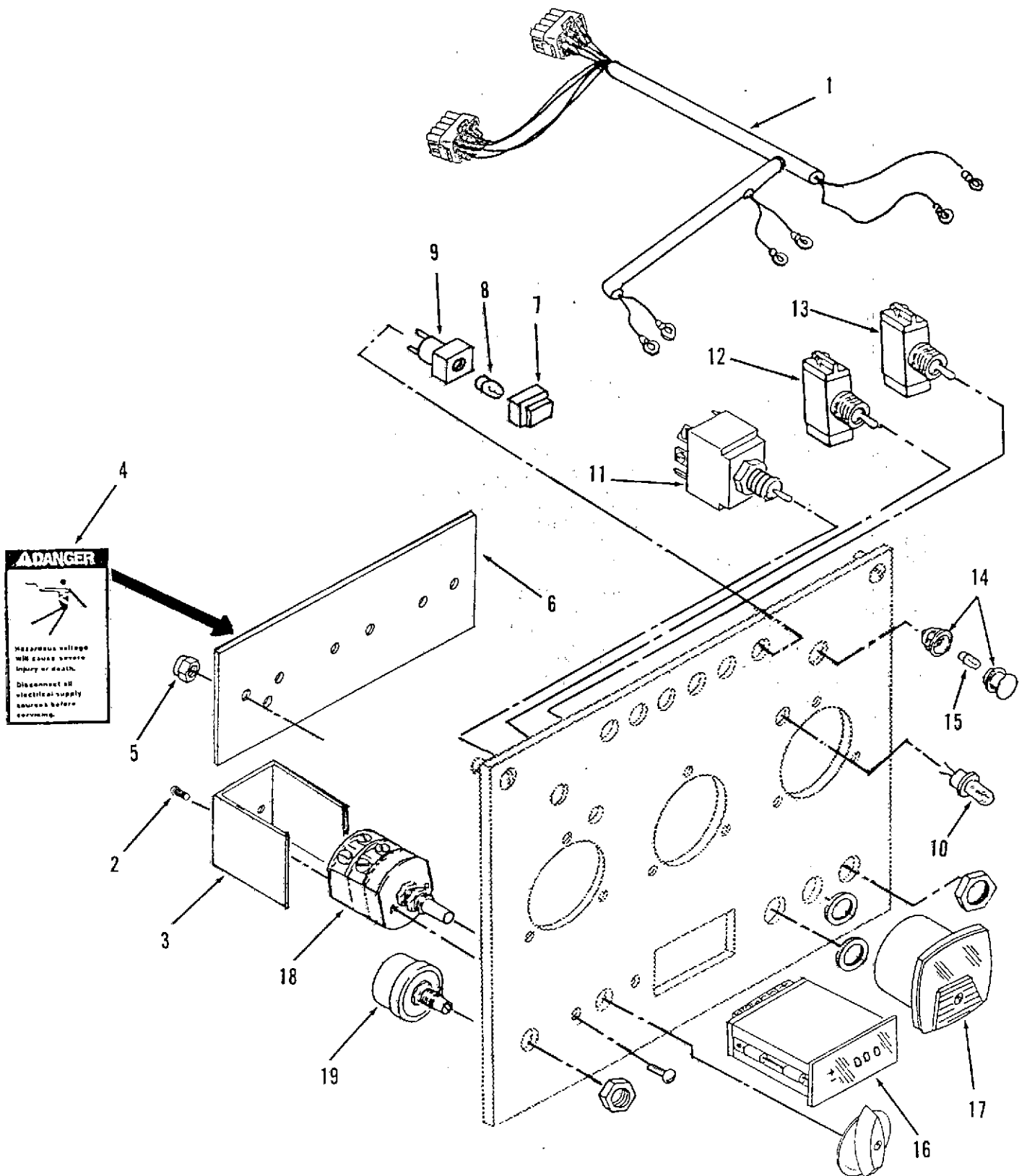
# Generator Control Panel With L E D Indicator Lights



**Generator Control Panel  
With L E D Indicator Lights**

REF NO.	CPS PART NO.	CEC PART NO.	QTY USED	PART DESCRIPTION
1				Harness, Wiring (See Separate Pages for Selection and Applications)
2	812-0075		2	Screw, Machine - Round Head (#8-32 x 1/4")
3	306-3523		1	Shield, Switch
4	98-5387		1	Decal (Warning)
5	870-0437		7	Nut, Acorn - Plastic
6	306-3522		1	Shield, Meters
7	870-0451	70646	4	Nut, Self-locking - Hex (#8-32 )
8	300-3283	3053064	1	Printed Circuit Board - 10 LED Lights
9	300-3282	3053063	1	Printed Circuit Board - 4 LED Lights
10	300-3281	3053062	1	Printed Circuit Board - 2 LED Lights
11				Switch, Toggle
		3015057	1	(AUTOSTART ON/OFF/STANDBY)
		3015058	1	(SYNCHRONIZING)
12		3055738	1	Switch, Toggle (ALARM SILENCE)
13		3035149	1	Switch, Toggle (PANEL LIGHTS)
14	322-0398	3035016	2	Light, Panel (Less Bulb)
15	322-0397-01	3035018	2	Bulb, Incandescent
16		3056064	2	Lens, Clear (SYNCHRONIZING)
17		3056065	2	Bulb, Incandescent
19		3056063	2	Socket, Light
19	308-0884	3015860	1	Switch, Selector(Includes Knob)
20	303-0288	3058451	1	Rheostat
21	302-1860	3056071	1	Wattmeter
22				Meter (TYPICAL)
	302-1856	3015043	1	Voltmeter
	302-1858	3015044	1	Frequency/RPM
				Ammeter (Select as Required)
				DUAL SCALE
	302-1871-05	3039530	1	200/400 AMP
	302-1862	3015035	1	300/600 AMP
	302-1863	3015036	1	400/800 AMP
	302-1871-06	3051478	1	500/1000 AMP
	302-1864	3015037	1	600/1200 AMP
	302-1865	3015038	1	800/1600 AMP
	302-1871-01	3015039	1	1000/2000 AMP
	302-1871-09	3059965	1	1500/3000 AMP
	302-1871-10	3059966	1	2000/4000 AMP
				SINGLE SCALE
	302-1871-02	3015040	1	1200 AMP
	302-1871-03	3015041	1	1600 AMP
	302-1871-04	3015042	1	2000 AMP
	302-1871-07	3051479	1	2500 AMP
	302-1871-08	3051480	1	3000 AMP

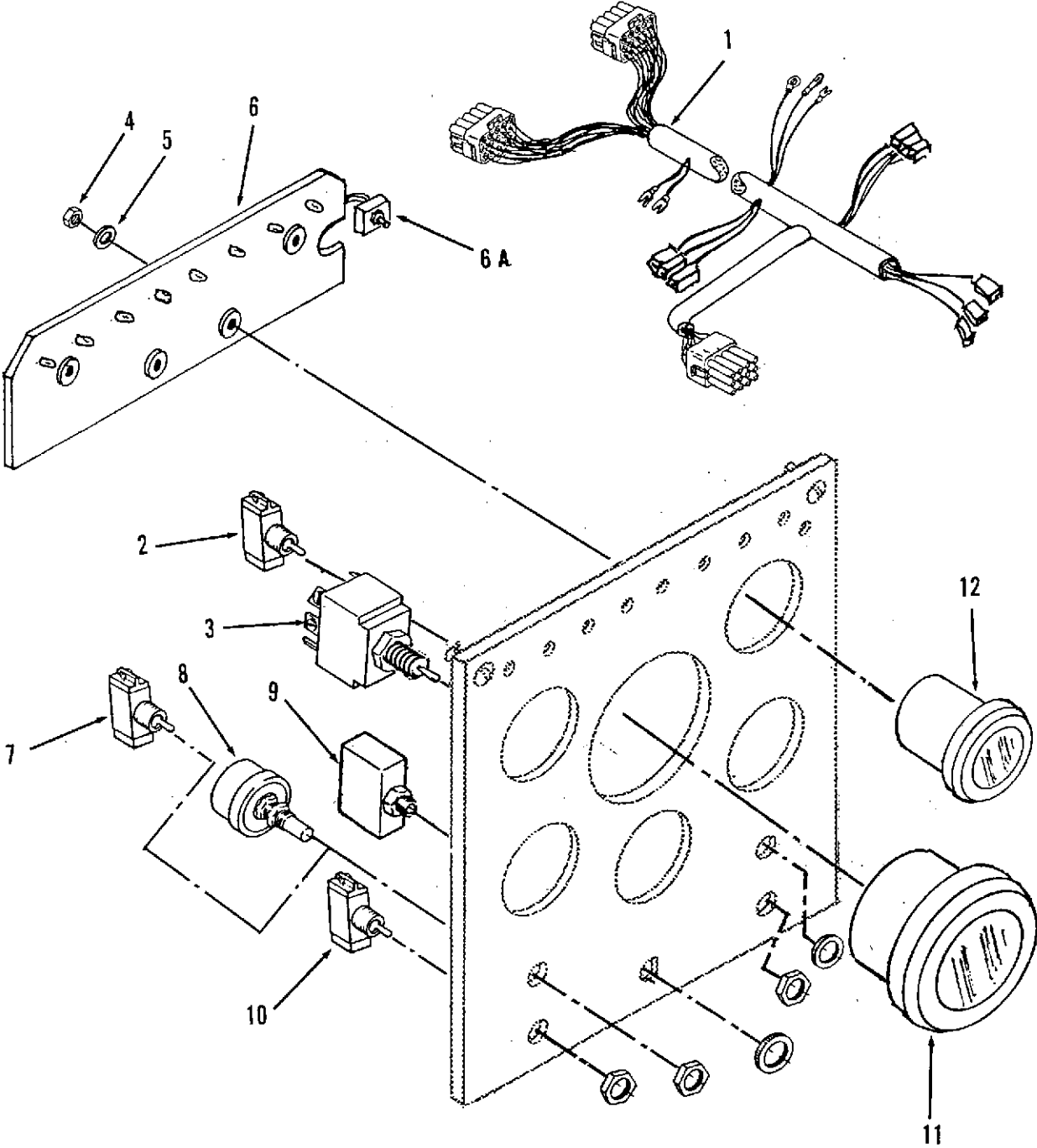
# Generator Control Panel With Bulb Indicator Lights



**Generator Control Panel  
With Bulb Indicator Lights**

REF NO.	CPS PART NO.	CEC PART NO.	QTY USED	PART DESCRIPTION
1				Harness, Wiring (See Separate Pages for Selection and Applications)
2	812-0075		2	Screw, Machine - Round Head (#8-32 x 1/4")
3	306-3523		1	Shield, Switch
4	98-5387		1	Decal (Warning)
5	870-0437		7	Nut, Acorn - Plastic
6	306-3522		1	Shield, Meters
7				Lens, Indicator Light
		3018795	4	Orange
		3018796	1	Red
		3018797	1	Green
		3018798	2	White (SYNCHRONIZING)
8		3018799	8	Bulb, Incandescent
9				Socket & Socket with Switch
		3018800	7	Socket, Light
		3014667	1	Socket, Light with Push Switch
10		3015133	2	Light, Indicator - Red Lens (UPPER/LOWER SCALE INDICATING)
11				Switch, Toggle
		3015057	1	(AUTOSTART-ON/OFF/STANDBY)
		3015058	1	(SYNCHRONIZING)
12		3055738	1	Switch, Toggle (ALARM SILENCE)
13		3035149	1	Switch, Toggle (PANEL LIGHTS)
14	322-0398	3035016	2	Light, Panel (Less Bulb)
15	322-0397-01	3035018	2	Bulb, Incandescent
16		3015018	1	Wattmeter
17				Meter
	302-1856	3015043	1	Voltmeter
	302-1858	3015044	1	Frequency/RPM
				Ammeter (Select as Required)
				DUAL SCALE
	302-1871-05	3039530	1	200/400 AMP
	302-1862	3015035	1	300/600 AMP
	302-1863	3015036	1	400/800 AMP
	302-1871-06	3051478	1	500/1000 AMP
	302-1864	3015037	1	600/1200 AMP
	302-1865	3015038	1	800/1600 AMP
	302-1871-01	3015039	1	1000/2000 AMP
	302-1871-09	3059965	1	1500/3000 AMP
	302-1871-10	3059966	1	2000/4000 AMP
				SINGLE SCALE
	302-1871-02	3015040	1	1200 AMP
	302-1871-03	3015041	1	1600 AMP
	302-1871-04	3015042	1	2000 AMP
	302-1871-07	3051479	1	2500 AMP
	302-1871-08	3051480	1	3000 AMP
18	308-0884	3015860	1	Switch, Selector (Includes Knob)
19	303-0288	3058451	1	Rheostat

Engine Control Panel  
With L E D Indicator Lights

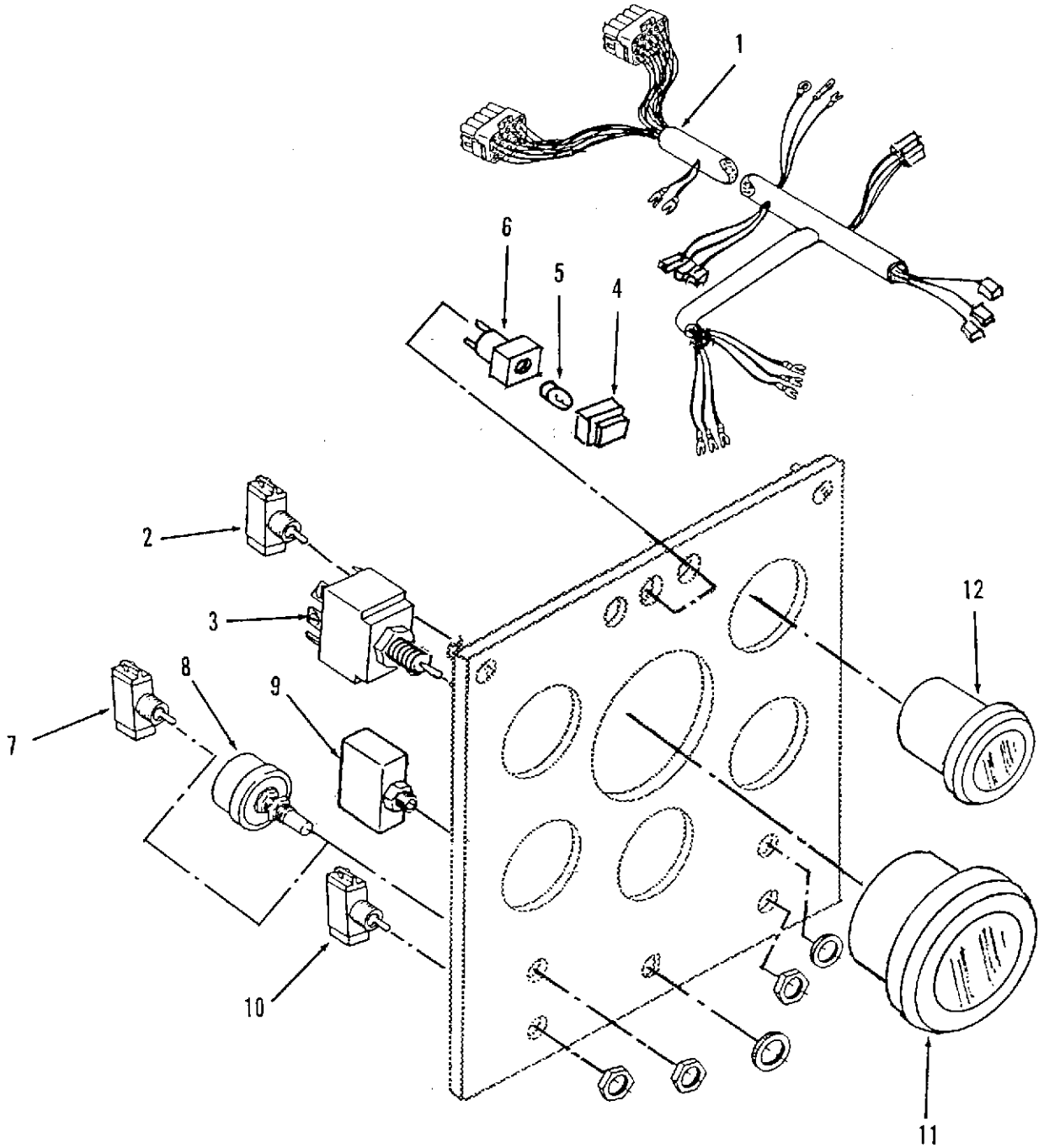




**Engine Control Panel  
With L E D Indicator Lights**

REF NO.	CPS PART NO.	CEC PART NO.	QTY USED	PART DESCRIPTION
1	338-2252	3053044	1	Harness, Wiring (Includes items 2 & 3)
2		3055486	1	Switch, Toggle (CRANK)
3		102057	1	Switch, Toggle (START/RUN/OFF)
4	870-0451	70646	4	Nut, Self-locking - Hex (#8-32)
5	526-0352	128006	4	Washer, Flat (3/16")
6				Printed Circuit Board (Includes Test Lamp Switch)
	300-3279	3053060	1	5 L E D Indicator Lights
	300-3280	3053061	1	8 L E D Indicator Lights
6A		3055488	1	Switch, Toggle (LAMP TEST)
7		3015055	1	Switch, Toggle (RAISE/LOWER)
8	303-0290	3015105	1	Potentiometer (SPEED ADJUST)
9	320-1616	3034953	1	Circuit Breaker
10	308-0885-02	104215	1	Switch, Toggle (RUN/IDLE)
11	302-1855	3031734	1	Tachometer
12				Gauge/Meter
	193-0400-01	3015232	1	Gauge, Pressure - Oil
	193-0401-01	3015233	1	Gauge, Temperature - Oil
	193-0402-01	3015234	1	Gauge, Temperature - Water
	302-1857-01	3015235	1	Voltmeter
	302-1859-01	3035766	1	Hourmeter

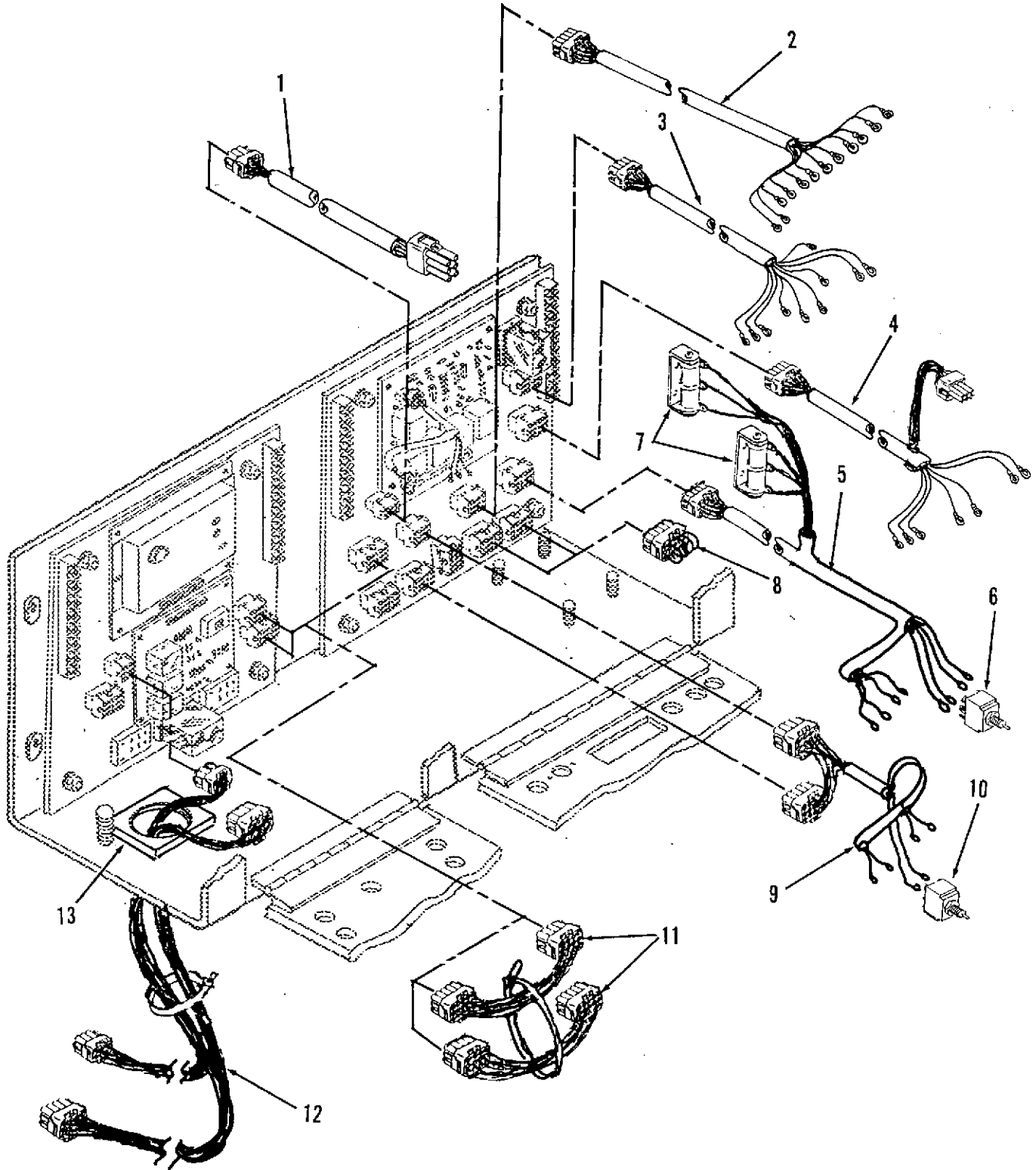
Engine Control Panel  
With Bulb Indicator Lights



## Engine Control Panel With Bulb Indicator Lights

REF NO.	CPS PART NO.	CEC PART NO.	QTY USED	PART DESCRIPTION
1		3035126	1	Harness, Wiring (Includes items 2 & 3)
2		3055486	1	Switch, Toggle (CRANK)
3		102057	1	Switch, Toggle (START/RUN/OFF)
4		3018795	3	Lens, Light (ORANGE)
5		3018799	3	Bulb, Light
6		3018800	3	Socket, Light
7		3015055	1	Switch, Toggle (RAISE/LOWER)
8	303-0290	3015105	1	Potentiometer (SPEED ADJUST)
9	320-1616	3034953	1	Circuit Breaker
10	308-0885-02	104215	1	Switch, Toggle (RUN/IDLE)
11	302-1855	3031734	1	Tachometer
12				Gauge or Meter
	193-0400-01	3015232	1	Gauge, Pressure - Oil
	193-0401-01	3015233	1	Gauge, Temperature - Oil
	193-0402-01	3015234	1	Gauge, Temperature - Water
	302-1857-01	3015235	1	Voltmeter
	302-1859-01	3035766	1	Hourmeter

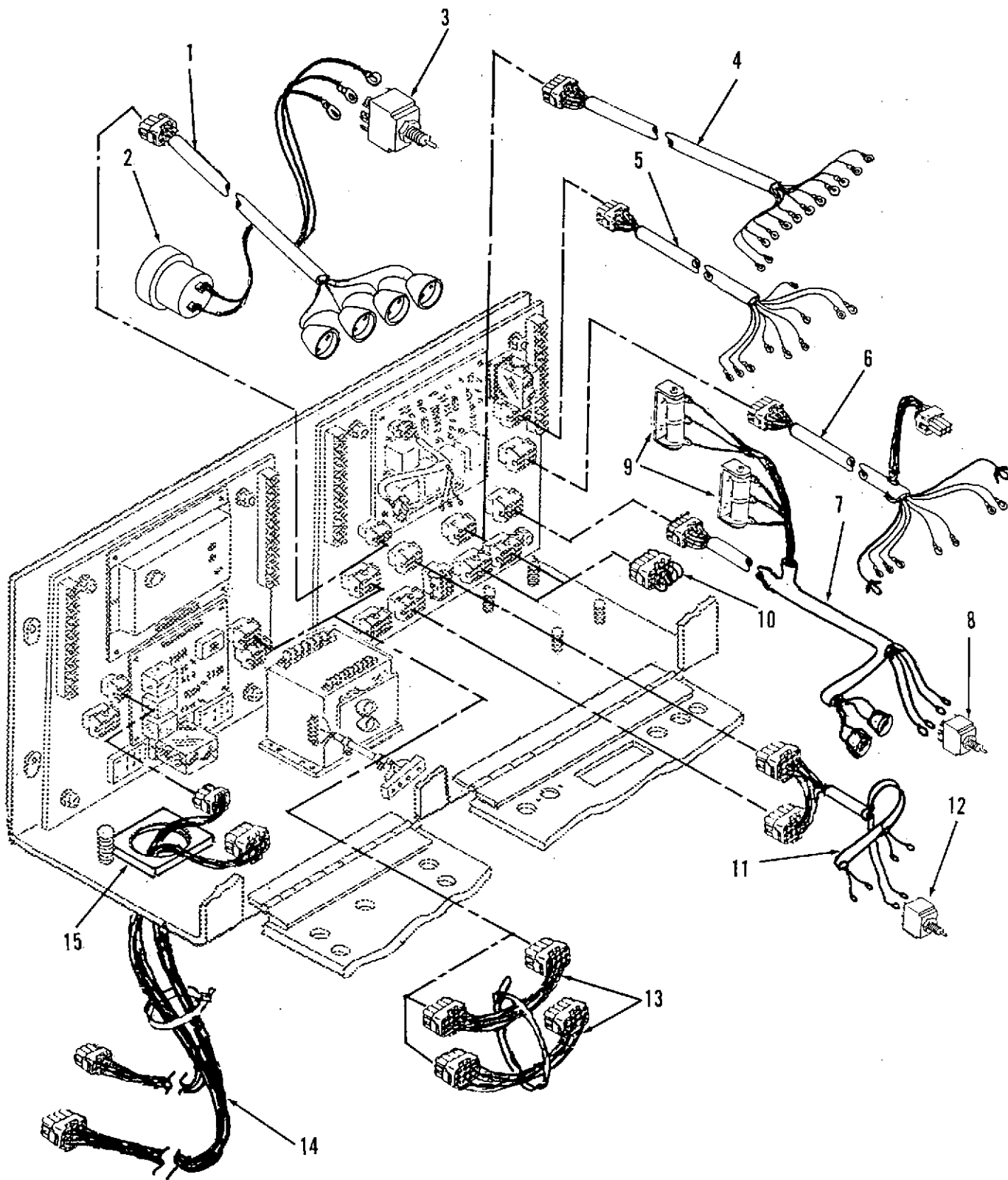
Set Control - Wiring Harnesses  
(Sets With LED Indicator Lights)



**Set Control - Wiring Harnesses  
(Sets With LED Indicator Lights)**

REF NO.	CPS PART NO.	CEC PART NO.	QTY USED	PART DESCRIPTION
1	338-2255	3053048	1	Harness, Wiring (PCB TO LED PCB)
2	338-2258	3056066	1	Harness, Wiring (PCB TO WATTMETER)
3	338-2250	3035147	1	Harness, Wiring (PCB TO VOLT/AMP SELECTOR SWITCH)
4	338-2253	3053046	1	Harness, Wiring (PCB TO AC METER)
5	338-2383	3053033	1	Harness, Wiring (PCB TO RESISTORS AND SYNCHRONIZING SWITCH; Includes The Resistors and Switch)
6		3015058	1	Switch, Toggle (SYNCHRONIZING)
7		3055739	2	Resistor, Wirewound with Mounting Bracket Attaching Parts for Resistor
	860-0003	3043636	4	Nut, Hex (#4-40)
	850-0010	3043637	4	Washer, Lock - Spring (#4)
8	338-2312	3056089	2	Harness, Wiring (HIGH/LOW WYE ADAPTER)
9	338-2256	3056061	1	Harness, Wiring (PCB TO PANEL LIGHTS AND SWITCH; Includes The Switch)
10		3035149	1	Switch, Toggle (PANEL LIGHTS)
11	338-2248	3035132	1	Harness Assembly, Wiring (ENGINE CONTROL PCB TO GENERATOR CONTROL PCB)
12				Harness Assembly, Wiring - With Shielded Leads (ENGINE WIRING HARNESS TO ENGINE CONTROL PCB; Select Length as Applicable)
	338-2301-01	3053037	1	5.3 Feet
	338-2301-02	3053038	1	7.3 Feet
	338-2301-03	3053039	1	9.3 Feet
	338-2301-04	3053040	1	11.3 Feet
	338-2301-05	3053041	1	15.3 Feet
	338-2301-06	3053042	1	25.3 Feet
	338-2301-07	3053043	1	50.0 Feet
	338-2301-08	3057046	1	1.3 Feet
13	331-0525	204494	1	Gasket, Conduit

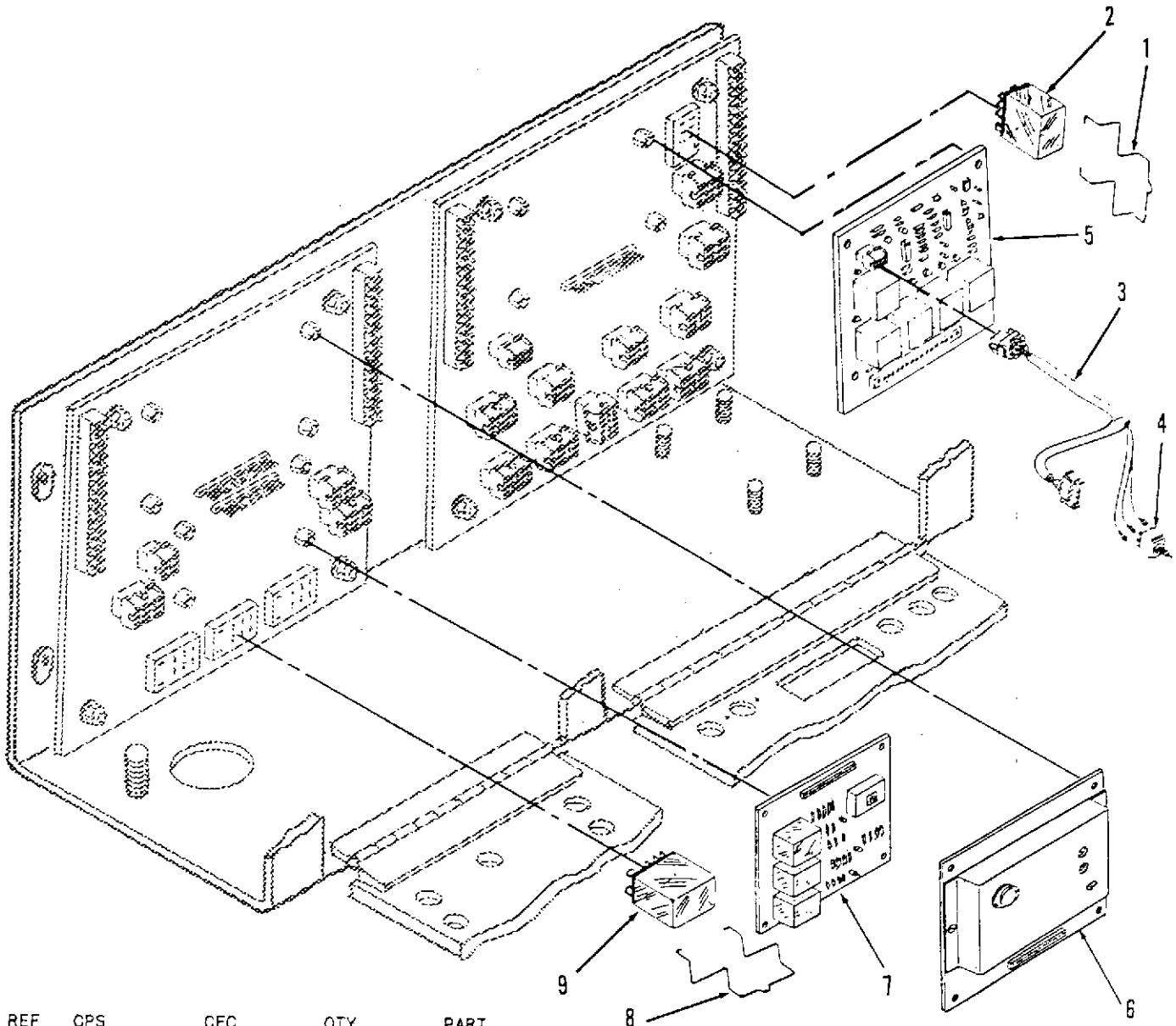
Set Control - Wiring Harnesses  
(Sets With Bulb Indicator Lights)



**Set Control - Wiring Harnesses  
(Sets With Bulb Indicator Lights)**

REF NO.	CPS PART NO.	CEC PART NO.	QTY USED	PART DESCRIPTION
1		3035145	1	Harness, Wiring (PCB TO HORN, SWITCH AND INDICATOR LIGHTS; Includes The Horn and Switch)
2		3015118	1	Horn, Electrical - 24 VDC
3		3015056	1	Switch, Toggle (ALARM SILENCE)
4		3035142	1	Harness, Wiring (PCB TO WATT TRANSDUCER)
5	338-2250	3035147	1	Harness, Wiring (PCB TO VOLT/AMP SELECTOR SWITCH)
6		3035144	1	Harness, Wiring (PCB TO AC METER AND RED INDICATOR LIGHTS; Includes Red Indicator Lights)
7		3035146	1	Harness, Wiring (PCB TO RESISTORS, SYNCHRONIZING LIGHTS AND SWITCH; Includes The Resistors and Switch)
8		3015058	1	Switch, Toggle (SYNCHRONIZING)
9		3015109	2	Resistor, Wirewound with Mounting Bracket
				Attaching Parts for Resistor
	860-0003	3043636	4	Nut, Hex (#8-40)
	850-0010	3043637	4	Washer, Lock - Spring (#4)
10	338-2249	3035140	2	Harness, Wiring (HIGH/LOW WYE ADAPTER)
11	338-2256	3056061	1	Harness, Wiring (PCB TO PANEL LIGHTS AND SWITCH; Includes The Switch)
12		3035149	1	Switch, Toggle (PANEL LIGHTS)
13	338-2248	3035132	1	Harness Assembly, Wiring (ENGINE CONTROL PCB TO GENERATOR CONTROL PCB)
14				Harness Assembly, Wiring (ENGINE WIRING HARNESS TO ENGINE CONTROL PCB; Select Length as Applicable)
	338-2276-01	3035127	1	5.3 Feet
	338-2276-02	3035128	1	7.3 Feet
	338-2276-03	3035129	1	9.3 Feet
	338-2276-04	3035130	1	11.3 Feet
	338-2276-05	3035131	1	15.3 Feet
13	331-0525	204494	1	Gasket, Conduit

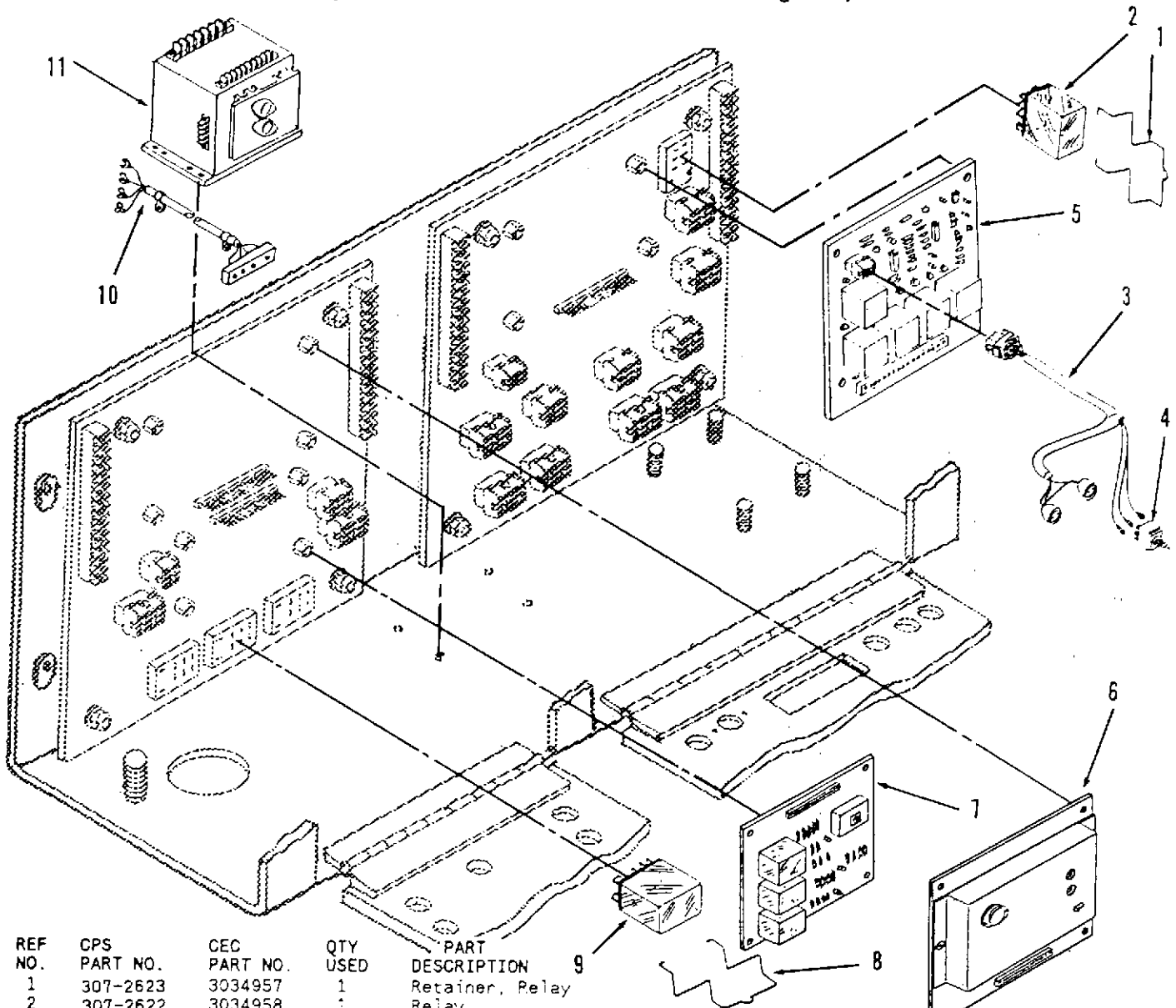
Set Control - Internal Components  
(Sets With LED Indicator Lights)



REF NO.	OPS PART NO.	CEC PART NO.	QTY USED	PART DESCRIPTION
1	307-2623	3034957	1	Retainer, Relay
2	307-2622	3034958	1	Relay
3	338-2254	3053047	1	Harness, Wiring - AutoStart to LEDs (Includes Switch)
4		3015057	1	Switch, Toggle (AutoStart)
5	300-3277	3054341	1	Board, Printed Circuit - AutoStart
				Attaching Parts for Board
	815-0702	70310	4	Screw, Machine - Pan Head (#6-32 x 3/8")
	850-1020	70262	4	Washer, Lock - Spring (#6)
6	151-0634	3044195	1	Control, Governor
				Attaching Parts for Board
	815-0702	70310	4	Screw, Machine - Pan Head (#6-32 x 3/8")
	850-1020	70262	4	Washer, Lock - Spring (#6)
7				Control or Adapter
	309-0574	3036453	1	Control, Overspeed - EFC
		3035015	1	Board, Adapter - Hydraulic Governor
				Attaching Parts for Board
	815-0702	70310	4	Screw, Machine - Pan Head (#6-32 x 3/8")
	850-1020	70262	4	Washer, Lock - Spring (#6)
8	307-2623	3034957	1	Retainer, Relay
9		3034962	1	Relay

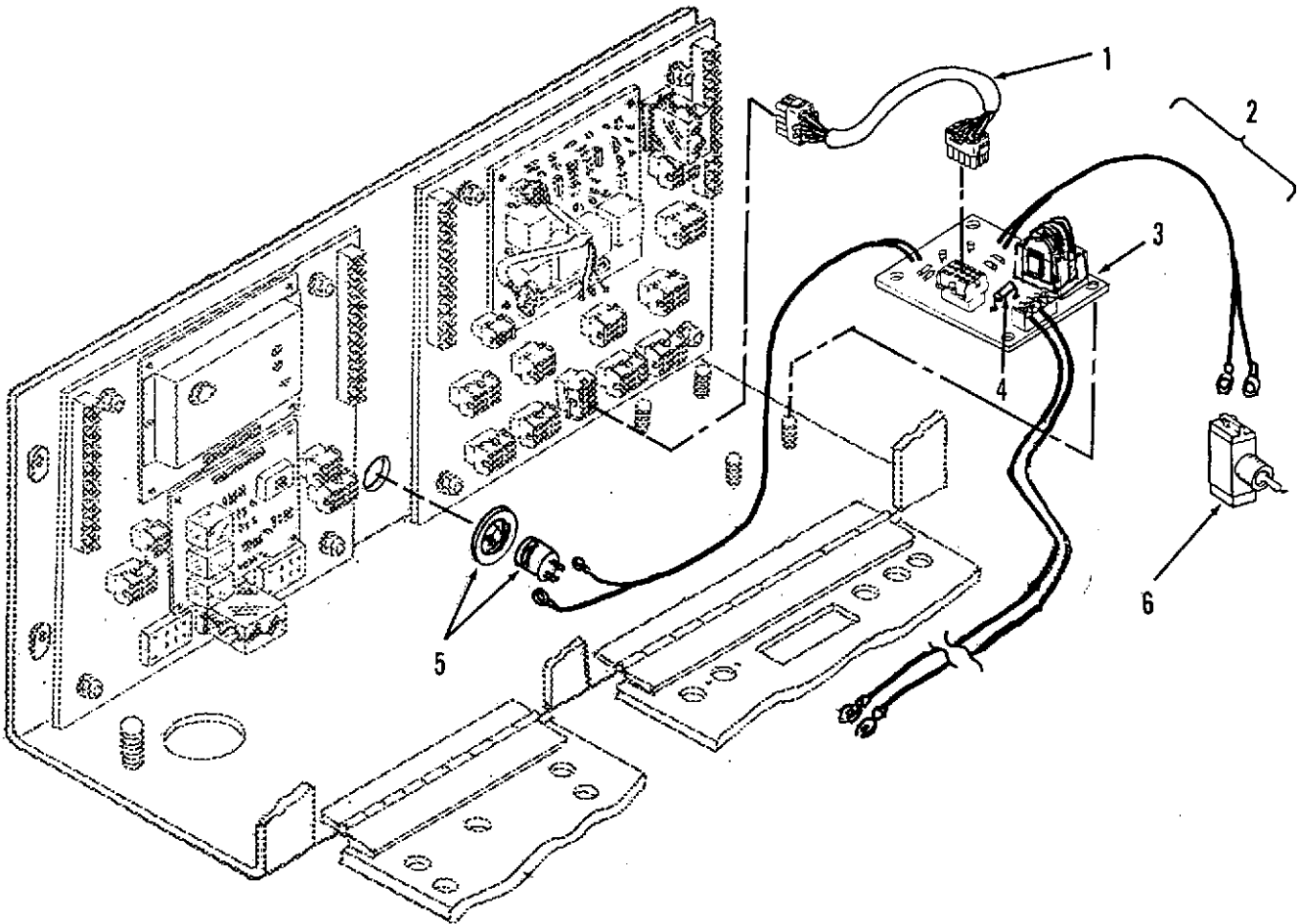


Set Control - Internal Components  
(Sets With Bulb Indicator Lights)



REF NO.	CPS PART NO.	CEC PART NO.	QTY USED	PART DESCRIPTION
1	307-2623	3034957	1	Retainer, Relay
2	307-2622	3034958	1	Relay
3		3035143	1	Harness, Wiring - AutoStart to Bulbs (Includes Switch)
4		3015057	1	Switch, Toggle (AutoStart)
5	300-3277	3054341	1	Board, Printed Circuit - AutoStart
	815-0702	70310	4	Screw, Machine - Pan Head (#6-32 x 3/8")
	850-1020	70262	4	Washer, Lock - Spring (#6)
6	151-0634	3044195	1	Control, Governor
	815-0702	70310	4	Screw, Machine - Pan Head (#6-32 x 3/8")
	850-1020	70262	4	Washer, Lock - Spring (#6)
7				Control or Adapter
	309-0574	3036453	1	Control, Overspeed
		3035015	1	Board, Adapter - Hydraulic Governor
	815-0702	70310	4	Screw, Machine - Pan Head (#6-32 x 3/8")
	850-1020	70262	4	Washer, Lock - Spring (#6)
8	307-2623	3034957	1	Retainer, Relay
9		3034962	1	Relay
10		3015019	1	Harness, Wiring - Transducer to Wattmeter
				Attaching Parts
		3018792	2	Screw, Self-Tapping - Round Head
11		3015017	1	Transducer, Watt
				Attaching Parts
	867-0028	70273	4	Nut, Hex (#10-32)
	850-1030	70621	4	Washer, Lock - Spring (#10)

## Set Control - Alarm Module



REF NO.	CPS PART NO.	CEC PART NO.	QTY USED	PART DESCRIPTION
1	338-2257	3056062	1	Harness, Wiring - Alarm Board to Gen Control Board
2				Module, Alarm (Includes PC Board, Horn, Switch and Electrical Leads to Horn, Switch and Generator Terminal Board)
	300-3286	3054296	1	Sets with Four Fault Indicators
	300-3287	3054297	1	Sets with Six Fault Indicators
3				Board, Printed Circuit - Alarm Module (Includes Fuse)
	NFS	NFS	1	Sets with Four Fault Indicators
	NFS	NFS	1	Sets with Six Fault Indicators
				Attaching Parts for Board
	870-0451	70646	4	Nut, Self-locking - Hex (#8-32)
	526-0352	128006	4	Washer, Flat (3/16")
4			1	Fuse
5	333-0405-02	149806	1	Horn, Electrical - 24VDC
6		3055738	1	Switch, Toggle